

**Pablo**<sup>®</sup>  
2024/25  
PRODUCT GUIDE

## ABOUT PABLO DESIGNS

Pablo's designs have been propelled to the forefront of American contemporary lighting by an uncompromising devotion to simplicity and utility. By fusing the highest technical sensibilities with the most appropriate material palette, Pablo is able to create unique, timeless designs with the power to transform any environment. Pablo was founded in San Francisco in 1993 by Venezuelan born industrial designer Pablo Pardo. Embracing a less-is-more ideology, Pablo frequently challenges traditional design metaphors, developing more practical solutions distilled down to their essence, form and light. A common thread links all of its creations, valuing permanence and sustainability, discarding the disposable mindset so prevalent today. Its mission is to create designs that deepen the relationship between objects, their users, and their environments.

## FOUNDER / CREATIVE DIRECTOR

### Pablo Pardo

With the creation of his first product in 1993, Pablo established a powerful and generative design philosophy. Since then, his core principles have informed the development of every light in the studio's 30-year history. These products continue to move with culture while withstanding trends in design and each one carries the underlying uniqueness that is distinctly "Pablo."



## DESIGN COLLABORATIONS



### Brad Ascalon

Brad Ascalon's multidisciplinary Manhattan studio was founded in 2006. With a reductive approach to his craft, Ascalon believes in design that is uncomplicated, rational and manages to find the perfect balance of form, function and concept. Ascalon's work has been exhibited around the world, and in 2013 he was singlehandedly invited to represent American design with an installation at Moscow Design Week. Ascalon earned a Masters' degree for Industrial Design from New York's Pratt Institute in 2005, and that same year was recognized by Wallpaper magazine as one of the "Ten Most Wanted" emerging designers in the world. He attributes his passion for design to the two generations before him who instilled the value of craftsmanship and rigor.



### Carmine Deganello

Based in Amsterdam and Milan, Deganello's creative process begins with materiality and an empirical approach that is highly experimental. Research on materials and the ways in which they can unexpectedly drive the productive process is essential to his work. His lamp, Solis, is a product of Carmine's shared sensibilities and long-term collaboration with Pablo. Deganello has worked extensively in Europe as well as the United States, his projects have been presented, among others, at the Triennale Design Museum as part of the New Italian Design collection. He is a graduate of Florence's Instituto Superiore per la Industrie Artistiche.



### Fernando Pardo

Since lending his craftsmanship to companies such as Sony, Dell, Embraer, Compaq, Pablo, BMW, and others, Pardo has been internationally recognized as a leading design thinker. His "Gina" car for BMW won the "Concept Car of the Year" award in 2008, and, in addition to being showcased in the BMW Museum in Munich, continues to serve as the foundation for the company's contemporary auto designs. Most recently Pardo received a 2012 Red Dot Award for his lamp, PIXO, which he created with his twin brother, Pablo founder Pablo Pardo. Fernando is a graduate of the design program at the University of Cincinnati.



### Peter Stathis

Fascinated by the social and cultural dimensions of objects, Stathis' work seeks to foster meaningful relationships through today's sophisticated, mass-produced environment. He executes this goal by working in both the high-minded and popular realms, having designed for brands ranging from the Museum of Modern Art to Lava Lite. Stathis' original 2006 Tube Top lamp represents one of several contributions to Pablo.



### Pablo Studio

The Pablo Studio is a small group of makers and inventors with a diverse background in industrial design and craft, and a deep understanding of manufacturing, materials and technology. They aim to foster a sense of discovery and deeply personal utility in people's interaction with objects. In beginning a new project, the team isolates a concept, meticulously refines it, and then reduces it to its central principle. The studio requires each design element to contribute to the essence of an object, following the Pablo philosophy of "less is more." Pablo Studio works together to develop products that offer people unique experiences and broaden the field of lighting design.





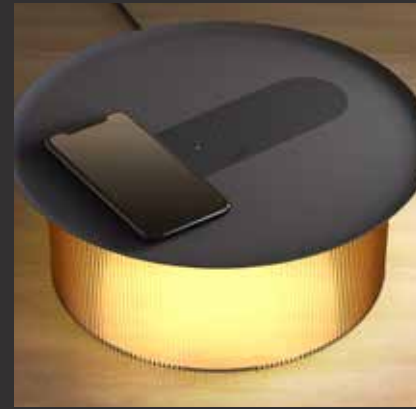
BEL OCCHIO  
8-11



BELMONT  
12-15



BOLA DISC  
16-25



CAROUSEL  
66-75



CIELO  
76-87



CIRCA  
88-99



BOLA FELT  
26-29



BOLA HALO  
30-35



BOLA SPHERE  
36-49



CONTOUR  
100-105



CORTINA  
106-111



ELISE  
112-117



BOLA LANTERN  
50-55



BRAZO  
56-61



CANDÉL  
62-65



LIM  
118-123



LINK  
124-129



LUCI  
130-137



NIVÉL PORTABLES  
138-147



NIVÉL PENDANT & FLUSH  
148-155



PICCOLA  
156-159



SWELL  
220-229



TALIA  
230-235



T.O TABLE & FLOOR  
236-245



PILAR  
160-165



PIXO  
166-171



SKY  
172-187



T.O PENDANT  
246-253



TOTEM PENDANT  
254-269



TOTEM TABLE  
270-275



SOLIS  
188-201



STELLA  
202-213



SUPERLIGHT  
214-219



TOTEM WALL  
276-289



TUBE TOP  
290-295



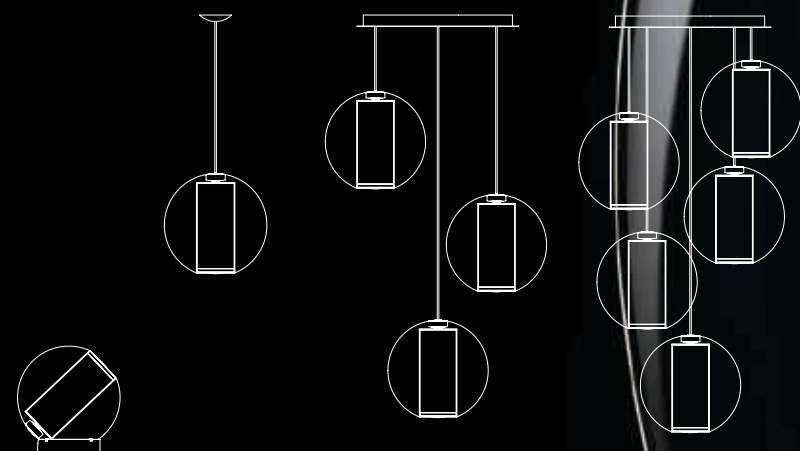
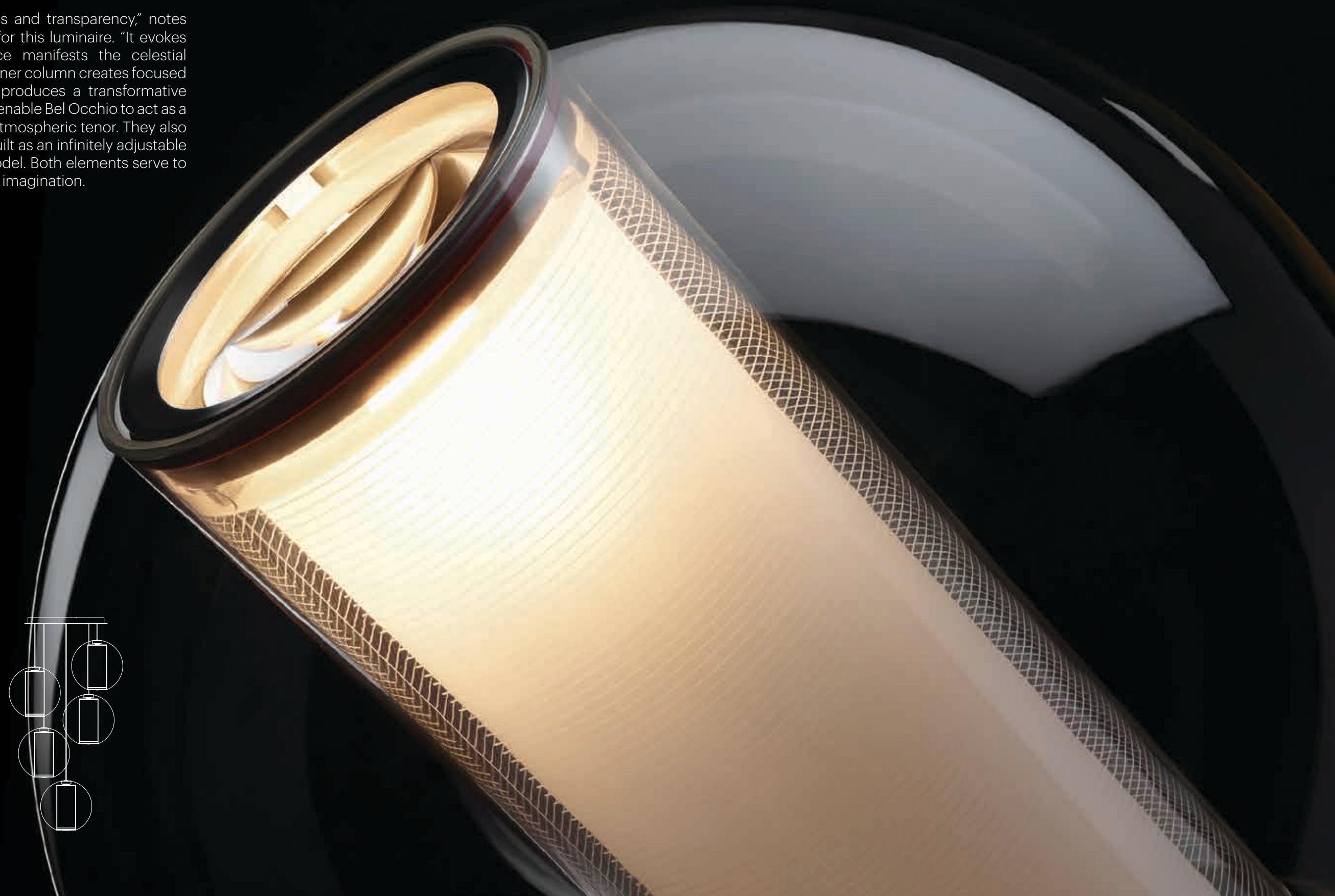
UMA  
296-305



# BEL OCCHIO

"Bel Occhio is a study in weightlessness and transparency," notes designer Pablo Pardo on his inspiration for this luminaire. "It evokes nature's transformative light." His piece manifests the celestial through a hybrid design: its suspended, inner column creates focused illumination while its surrounding shell produces a transformative ambient glow. These symbiotic elements enable Bel Occhio to act as a multi-position spotlight and a source of atmospheric tenor. They also serve dynamic purposes: Bel Occhio is built as an infinitely adjustable table lamp and a suspended pendant model. Both elements serve to illuminate with comfort and fascinate the imagination.

Designer:  
Pablo Pardo 2005



# BEL OCCHIO

## DESCRIPTION

"Bel Occhio is a study in weightlessness and transparency," notes designer Pablo Pardo on his inspiration for this luminaire. "It evokes nature's transformative light." His piece manifests the celestial through a hybrid design: its suspended, inner column creates focused illumination while its surrounding shell produces a transformative ambient glow. These symbiotic elements enable Bel Occhio to act as a multi-position spotlight and a source of atmospheric tenor. They also serve dynamic purposes: Bel Occhio is built as an infinitely adjustable table lamp and a suspended pendant model. Both elements serve to illuminate with comfort and fascinate the imagination.

## FIXTURE TYPE

Pendant  
Table

## LIGHT SOURCE

US	
Brand:	SATCO
8W LED	
2700K	
E26/BT-15	
800Lm	

## LIGHT CONTROL

Fully dimmable (Pendant)  
Dali compatibility upon request  
in-line slide dimmer (Table)

## FEATURES

Compatible with TRIAC/ELV dimmers (Pendant)  
360° rotation (Table)

## SPECIFICATIONS

Voltage: 120-240V  
Cable length: 8' (243.8cm)  
Color Rendition Index: 90 CRI

## CERTIFICATIONS

UL listed components

## PRODUCT CODES

Bel Occhio Pendant (Clear/White):	BELO 16 WHT PEN
Bel Occhio Pendant (Clear/Orange):	BELO 16 ORG PEN
Bel Occhio 3 Pendant (Clear/White):	BELO 16/3 WHT
Bel Occhio 3 Pendant (Clear/Orange):	BELO 16/3 ORG
Bel Occhio 5 Pendant (Clear/White):	BELO 16/5 WHT
Bel Occhio 5 Pendant (Clear/Orange):	BELO 16/5 ORG
Bel Occhio Table (Clear/White):	BELO 16 WHT TBL
Bel Occhio Table (Clear/Orange):	BELO 16 ORG TBL

## PACKAGING WEIGHT AND DIMENSIONS

Bel Occhio:	11.7LBS	18.5" X 19" X 21"
(Pendant)	5.3KGS	47cm X 48cm X 53cm
BEL OCCHIO:	11.7LBS	18.5" X 19" X 21"
(Table)	5.3KGS	47cm X 48cm X 53cm

## NOTES

Custom tube colors available on volume orders.

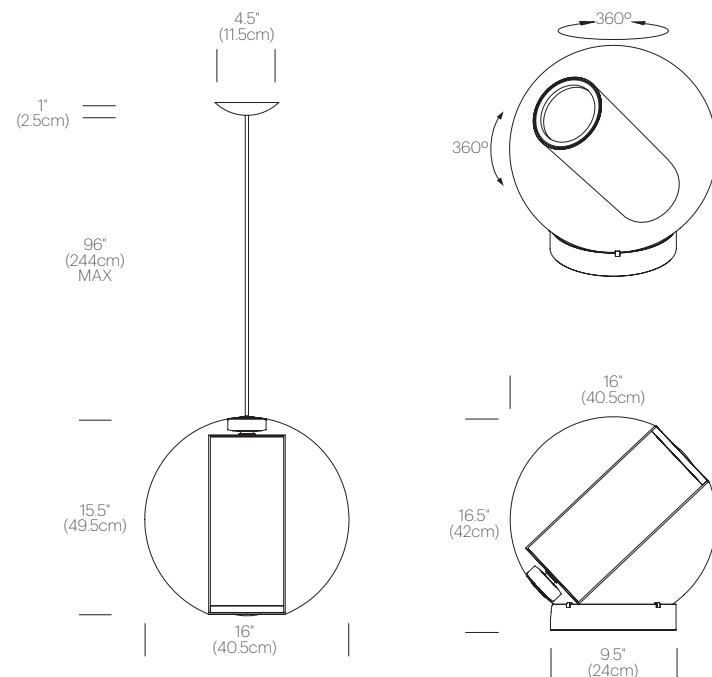


## FINISHES



## DIMENSIONS

BEL OCCIO PENDANT AND TABLE

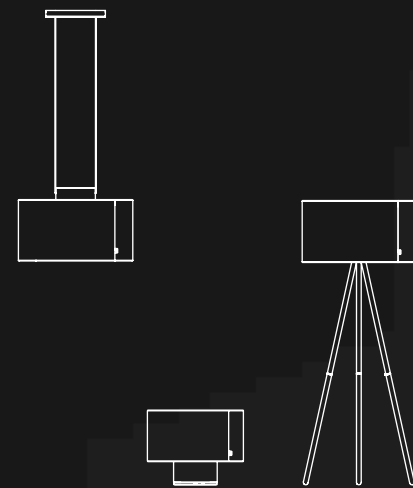




# BELMONT

The Belmont Collection was a collaborative creation with designer Brad Ascalon. Re-envisioning the traditional fabric shade lamp, but with the warmth and preciousness of hand crafted furniture. Belmont's iconic, yet reductive form creates a natural canvas for displaying an exquisite array of textiles from premium wool to colorful woven fabrics that can be paired with a solid crafted oak wood armature. Belmont Pendant can be hung individually or in stunning groupings to provide warm and comfortable illumination to complement any residential, contract, or hospitality setting. Belmont is also available in stunning table and floor standing models to bring warmth and beauty to any environment.

Designer:  
Brad Ascalon 2018 + Pablo Studio 2019





# BELMONT

## DESCRIPTION

The Belmont Collection was a collaborative creation with designer Brad Ascalon re-envisioning the traditional fabric shade lamp but with the warmth and preciousness of hand crafted furniture.

## FIXTURE TYPE

Pendant, Table, Floor

## LIGHT SOURCE

US	EU
Brand: <b>FEIT</b>	Brand: <b>PHILIPS</b>
15W LED	5.9W LED
2700K	2700K
E26/A19	E27/A60
1600Lm	806Lm

## LIGHT CONTROL

Hard-Wired, dimmable  
Compatible with TRIAC/ELV dimmers  
Dali compatibility upon request  
In-line dimmer (Table & Floor)

## FEATURES

Full range dimming

## SPECIFICATIONS

Voltage: 120 or 240V 50/60Hz  
Power Consumption: 30W (2x 15W LED bulbs)  
Color Temperature: 2700K  
Luminosity: 3200 Lumens  
Luminaire efficacy: 106 Lumens/Watt  
Color Rendition Index: 95 CRI  
Cable Length: 10' (3m) Field Cuttable

## CERTIFICATIONS



## PRODUCT CODES

Belmont 22 (Silverdale):	BELM 22 GRY
Belmont 22 (Charcoal):	BELM 22 GPT
Belmont 22 (White):	BELM 22 WHT
Belmont Table (Charcoal/Oak):	BELM TBL GPT/OAK
Belmont Table (Charcoal/Walnut):	BELM TBL GPT/WAL
Belmont Table (Silverdale/Oak):	BELM TBL GRY/OAK
Belmont Table (Silverdale/Walnut):	BELM TBL GRY/WAL
Belmont Table (White/Oak):	BELM TBL WHT/OAK
Belmont Table (White/Walnut):	BELM TBL WHT/WAL
Belmont Floor (Charcoal/Oak):	BELM FLR GPT/OAK
Belmont Floor (Charcoal/Walnut):	BELM FLR GPT/WAL
Belmont Floor (Silverdale/Oak):	BELM FLR GRY/OAK
Belmont Floor (Silverdale/Walnut):	BELM FLR GRY/WAL
Belmont Floor (White/Oak):	BELM FLR WHT/OAK
Belmont Floor (White/Walnut):	BELM FLR WHT/WAL

## PACKAGING WEIGHT AND DIMENSIONS

Belmont Pendant	8.75LBS	22.5" X 18"
	4KG	57cm X 45.5cm
Belmont Table	11LBS	22.5" X 17" X 8.5"
	5KG	57.2cm X 43cm X 17.8cm
Belmont Floor	7.7LBS	22.5" X 17" X 8.5"
(Shade)	3.5KG	57.2cm X 43cm X 17.8cm
Belmont Floor	5.7LBS	28.9" X 4.1" X 3.9"
(Legs)	2.4KG	73.5cm X 10.3cm X 10cm

## NOTES

Custom requests can be considered on volume orders



## FINISHES

### WOOD



OAK

### FABRIC



CHARCOAL



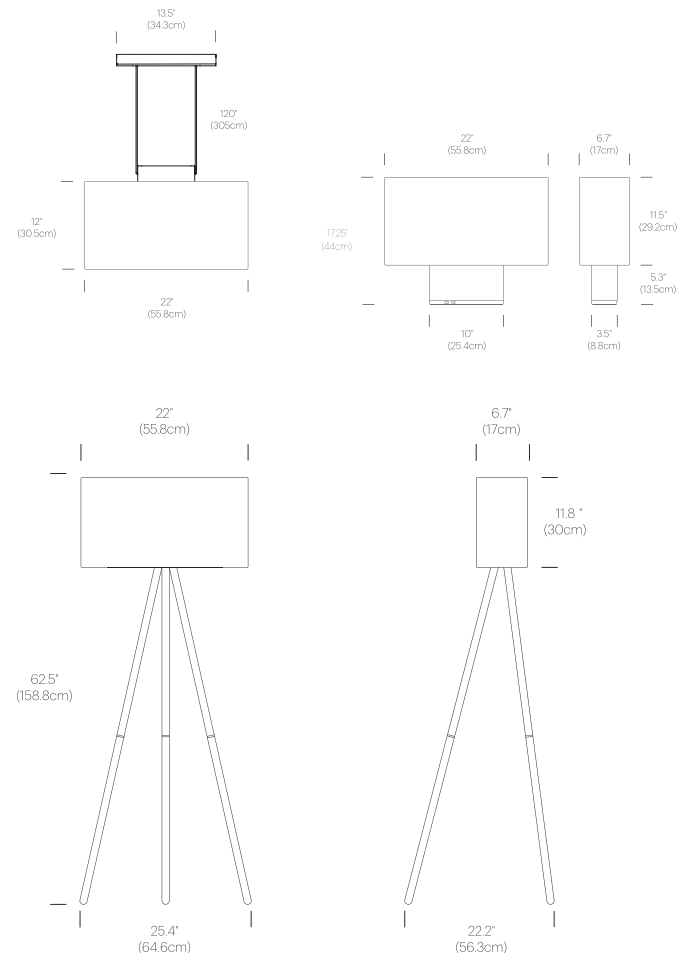
SILVERDALE



WHITE

## DIMENSIONS

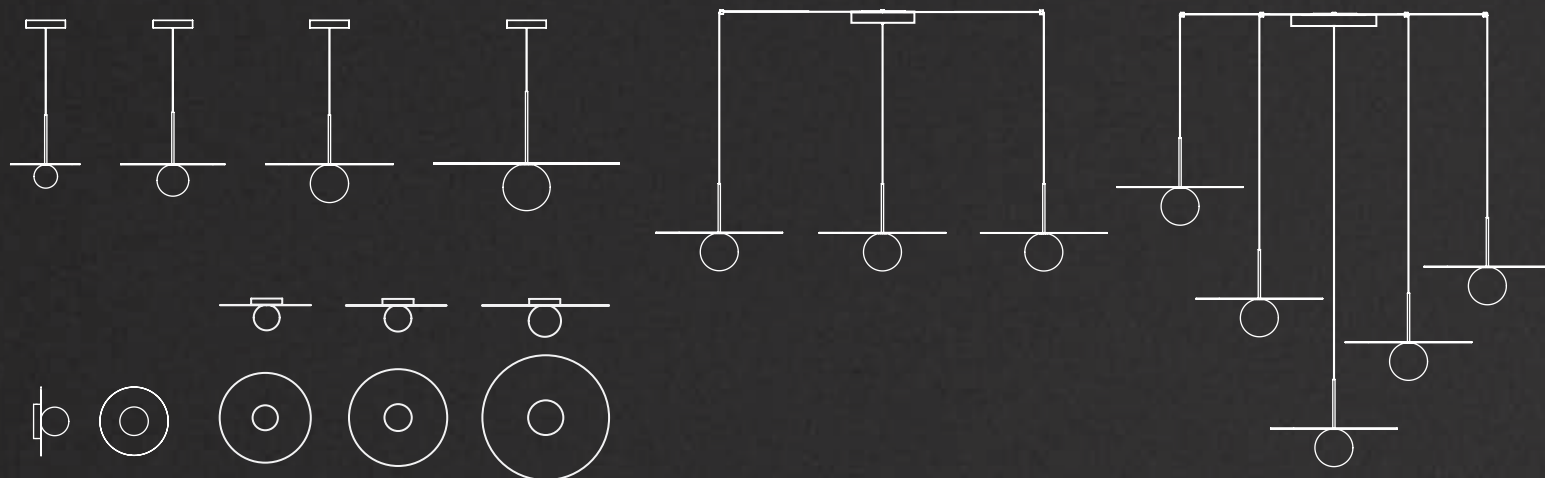
BELMONT PENDANT, TABLE, FLOOR



# BOLA DISC

Bola Disc is a uniquely expressive LED Lighting system featuring a distinctive range of chromated disc reflectors that give the illusion of weightlessness by mirroring its surroundings. Bola Disc pairs an elegant globe diffuser made of opaline glass with exquisitely polished stainless steel or aluminum discs in chrome, brass, rose gold, gunmetal, matte white, and matte black to appease the most discerning tastes. Dependent on size, Bola provides up to 1625 lumens of warm ambient light and is fully dimmable, providing unparalleled illumination. Bola can be suspended individually, in series, or as striking chandelier groupings for residential, contract, and hospitality settings alike.

Designer:  
Pablo Pardo + Pablo Studio 2018





# BOLA DISC PENDANT

## DESCRIPTION

Bola Disc is a uniquely expressive LED Pendant system featuring a distinctive range of chromated disc reflectors that give the illusion of weightlessness by mirroring its surroundings. Available in 4 distinct sizes, Bola Disc pairs an elegant globe diffuser made of opaline glass with exquisitely polished stainless steel or aluminum discs in chrome, brass, rose gold lacquered white, and matte black to appease the most discerning tastes. Dependent on size, Bola provides up to 1625 lumens of warm ambient light and is fully dimmable, providing unparalleled illumination. Bola can be suspended individually, in series, or as striking chandelier groupings for residential, contract, and hospitality settings alike.

## FIXTURE TYPE

Pendant

## LIGHT SOURCE

Custom integrated LED, high-output chip on board

## LIGHT CONTROL


Hard-wired, dimmable  
Compatible with TRIAC/ELV and 0-10V dimmers  
Dali compatibility upon request

## FEATURES

Warm Dim

## SPECIFICATIONS

Voltage: 120V-277V 50/60Hz  
Power Consumption: 6W (12", 18"), 12W (22"), 20W (32")  
Color Temperature: 2700K-1800K (Warm Dim)  
Luminosity: 290Lm (12"), 290Lm (18"), 800Lm (22"), 1625Lm (32")  
Luminaire Efficacy: 48Lm/W (12",18"), 66Lm/W (22"), 80 Lm/W (32")  
Color Rendition Index: 95 CRI  
50K hour lifespan  
Cord Length: 8.9' (2.9m) (Field cuttable)

CERTIFICATIONS 

## PRODUCT CODES (ENTER DISC SIZE IN BLANK SPACE)

Bola Disc (Chrome):	BOLA FSH CRM
Bola Disc (Brass):	BOLA FSH BRA
Bola Disc (Rose Gold):	BOLA FSH RGD
Bola Disc (Gunmetal):	BOLA FSH GUN
Bola Disc (Matte White):	BOLA FSH WHT
Bola Disc (Matte Black):	BOLA FSH BLK

## PACKAGING WEIGHT AND DIMENSIONS

Bola Disc 12	4LBS	15" X 7"
(Steel Shade)	1.8KG	38cm X 18cm
Bola Disc 12	2.4LBS	15" X 7"
(White Aluminum Shade)	1.1KG	38cm X 18cm
Bola Disc 18	8.6LBS	20.75" X 8"
(Steel Shade)	3.9KG	53cm X 20cm
Bola Disc 18	6.75LBS	20.75" X 8"
(White Aluminum Shade)	3KG	53cm X 20cm
Bola Disc 22	12.25LBS	24" X 10"
(Steel Shade)	5.6KG	61cm X 25cm
Bola Disc 22	9LBS	24" X 10"
(White Aluminum Shade)	4.1KG	61cm X 25cm
Bola Disc 32	23.8LBS	34.5" X 10.5"
(Steel Shade)	10.8KG	87.6cm X 27cm
Bola Disc 32	17.5LBS	34.5" X 10.5"
(White Aluminum Shade)	7.9KG	87.6cm X 27cm

## NOTES

3000K and 3500K CCT Models Available Upon Request.  
(Please inquire for MOQ, Leadtime)  
Custom requests can be considered on volume orders.



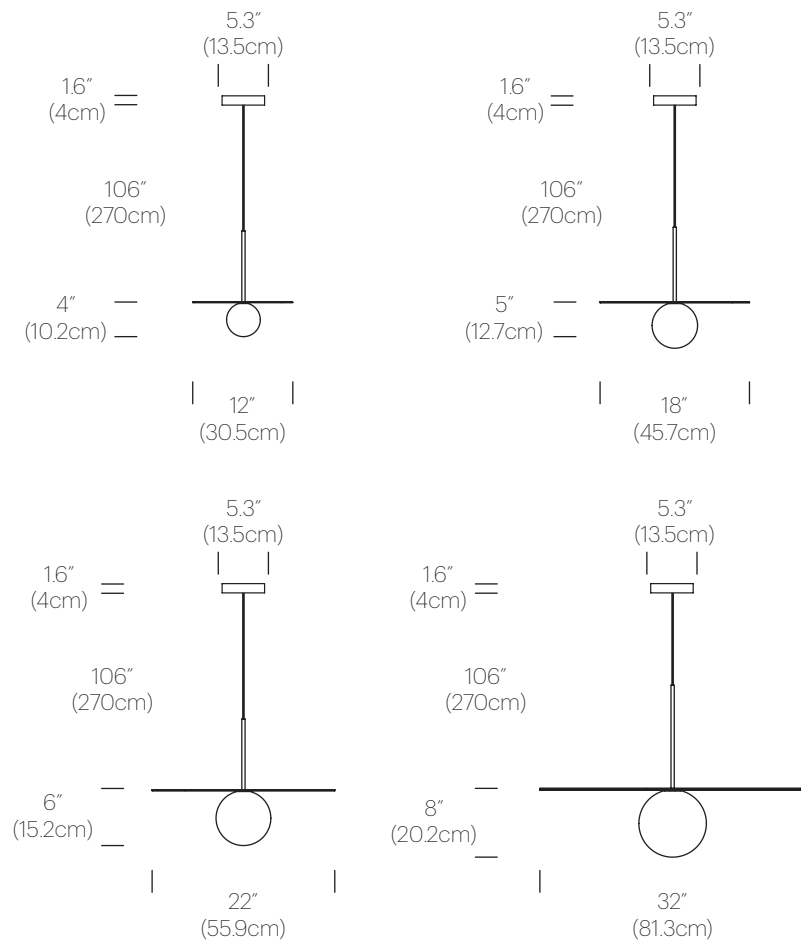
## FINISHES

BOLA DISC



## DIMENSIONS

BOLA DISC 12, 18, 22, 32





# BOLA DISC MULTI-LIGHT

**DESCRIPTION**

Bola's elegant reflective disc and globe design can be suspended in a variety of custom arrangements in both round and linear configurations. With Bola Disc Multi-Light, up to 11 lamps can be grouped together in a variety of mixed disc sizes to form stunning luminaire displays. Both size and shape of the grouping is controlled by lamp quantity and positioning relative to the Multi-Light canopy. Swag mounts are provided to extend the lights out into space along with an ample cord length of 8.9' (2.7m) to offer a wide array of unique solutions.

**FIXTURE TYPE**

Pendant

**LIGHT SOURCE**

Custom integrated LED, high-output chip on board

**PRODUCT CODES**

Multi-Light Canopy 9" (White):	BOLA CAN 9 WHT
Multi-Light Canopy 9" (Black):	BOLA CAN 9 BLK
Multi-Light Canopy 12" (White):	BOLA CAN 12 WHT
Multi-Light Canopy 12" (Black):	BOLA CAN 12 BLK

**CERTIFICATIONS**



**PACKAGING WEIGHTS AND DIMENSIONS**

Multi-Light Canopy 9"	4.3LBS	12" X 12" X 6"
	2KG	30.5cm X 30.5cm X 15cm
Multi-Light Canopy 12"	6.6LBS	12" X 12" X 6"
	3KG	30.5cm X 30.5cm X 15cm

**NOTES**

Custom requests can be considered on volume orders.

BOLA Multi-Light Canopy  
Small (Ø9" OD) Up to 6



or

BOLA Multi-Light Canopy  
Large (Ø12" OD) 7 to 11



2, 3, 4, 5, 6... 11

**FINISHES**

CANOPY



WHITE



BLACK

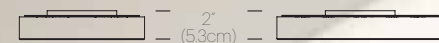
ROUND



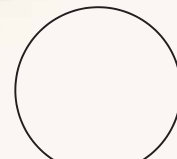
LINEAR



**MULTI-LIGHT CANOPY DIMENSIONS**



9"  
(22.8cm)



12"  
(30.5cm)

# BOLA DISC FLUSH

## DESCRIPTION

A study in refined simplicity, Bola Flush offers a magical combination of mirror and globe refined down to its bare essentials. The objective with the Bola Flush is to provide both direct and reflected light from either ceiling or wall mounted vantage points. Bola Flush brings elegance and refinement with four sizes and five finishes in chrome, brass, rose gold, gunmetal, white, and matte black. An ideal fixture for adding diffused and reflected light in hallway corridors, nooks, dining settings, bedrooms, or living areas. Stunning groupings can also be created by mixing different sizes together to form unique custom light displays.

## FIXTURE TYPE

Wall/Ceiling

## LIGHT SOURCE

Custom integrated LED, high-output chip on board

## LIGHT CONTROL

Hard-wired, dimmable  
Compatible with TRIAC/ELV and 0-10V dimmers  
Dali compatability upon request

## FEATURES

Warm Dim

## SPECIFICATIONS

Voltage: 120V-277V 50/60Hz  
Power Consumption: 6W (12", 18"), 12W (22"), 20W (32")  
Color Temperature: 2700K-1800K (Warm Dim)  
Luminosity: 290 Lumens (12"), 290 Lumens (18"), 800 Lumens (22"), 1625 Lumens (32")  
Luminaire Efficacy: 48Lm/W(12",18"), 66Lm/W(22"), 80 Lm/W (32")  
Color Rendition Index: 95 CRI  
50K hour lifespan

## CERTIFICATIONS



## PRODUCT CODES (ENTER DISC SIZE IN BLANK SPACE)

Bola Disc Flush (Chrome):	BOLA FSH CRM
Bola Disc Flush (Brass):	BOLA FSH BRA
Bola Disc Flush (Rose Gold):	BOLA FSH RGD
Bola Disc Flush (Gunmetal):	BOLA FSH GUN
Bola Disc Flush (Matte Black):	BOLA FSH BLK
Bola Disc Flush (Matte White):	BOLA FSH WHT
Bola Disc Flush Standoff	BOLA FSH STAND

## PACKAGING WEIGHT AND DIMENSIONS

Bola Disc 12	4LBS	15" X 15" X 7"
(Steel Shade)	1.8KG	38cm X 38cm X 18cm
Bola Disc 12	2.4LBS	15" X 15" X 7"
(White Aluminum Shade)	1.1KG	38cm X 38cm X 18cm
Bola Disc 18	8.6LBS	20.75" X 20.75" X 8"
(Steel Shade)	3.9KG	53cm X 53cm X 20cm
Bola Disc 18	6.75LBS	20.75" X 20.75" X 8"
(White Aluminum Shade)	3KG	53cm X 53cm X 20cm
Bola Disc 22	12.25LBS	24" X 24" X 10"
(Steel Shade)	5.6KG	61cm X 61cm X 25cm
Bola Disc 22	9LBS	24" X 24" X 10"
(White Aluminum Shade)	4.1KG	61cm X 61cm X 25cm
Bola Disc 32	23.8LBS	34.5" X 34.5" X 10.5"
(Steel Shade)	10.8KG	87.6cm X 87.6cm X 27cm
Bola Disc 32	17.5LBS	34.5" X 34.5" X 10.5"
(White Aluminum Shade)	7.9KG	87.6cm X 87.6cm X 27cm

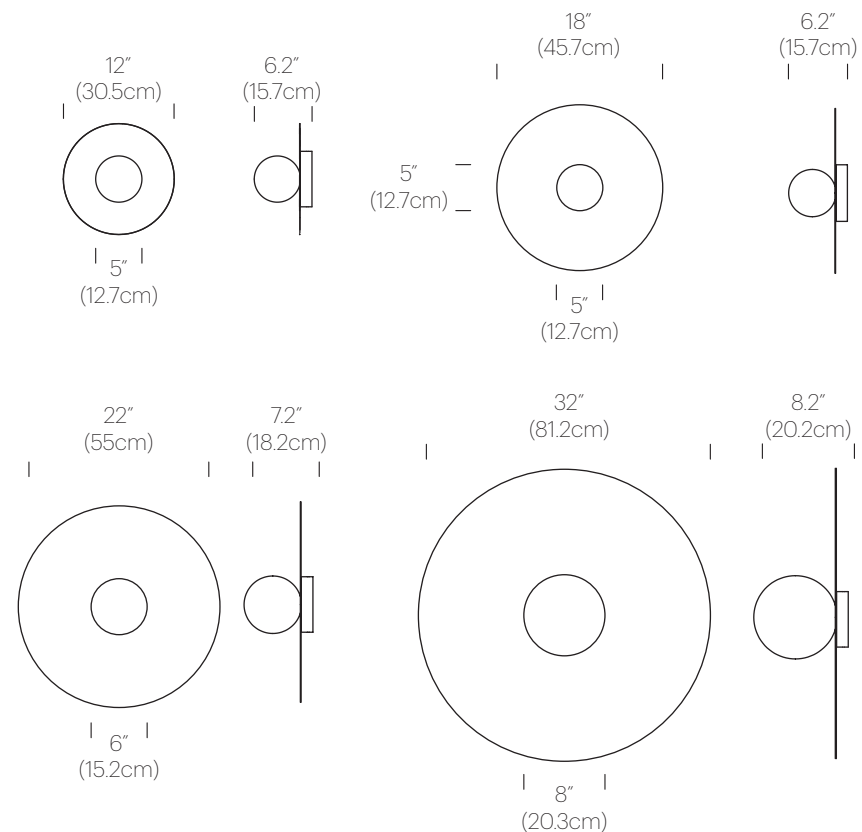
## NOTES

3000K and 3500K CCT Models Available Upon Request.  
(Please inquire for MOQ, Leadtime)  
Custom requests can be considered on volume orders.



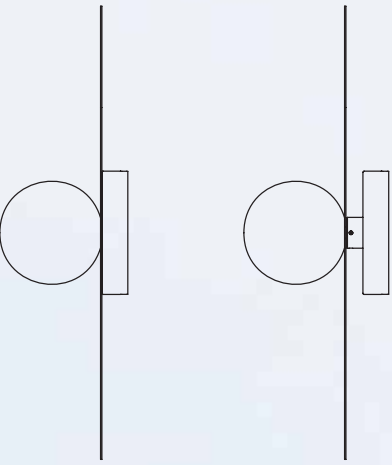
## DIMENSIONS

BOLA DISC FLUSH 12, 18, 22, 32



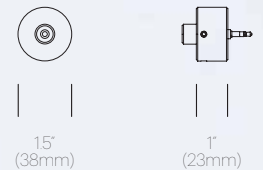
# BOLA DISC FLUSH GROUPING

Stunning compositions can be created by mixing or matching different sizes and finishes together to form unique customized light clusters.



1" add-on standoff allows for overlapping disc groupings

PRODUCT CODE  
BOLA FSH STAND

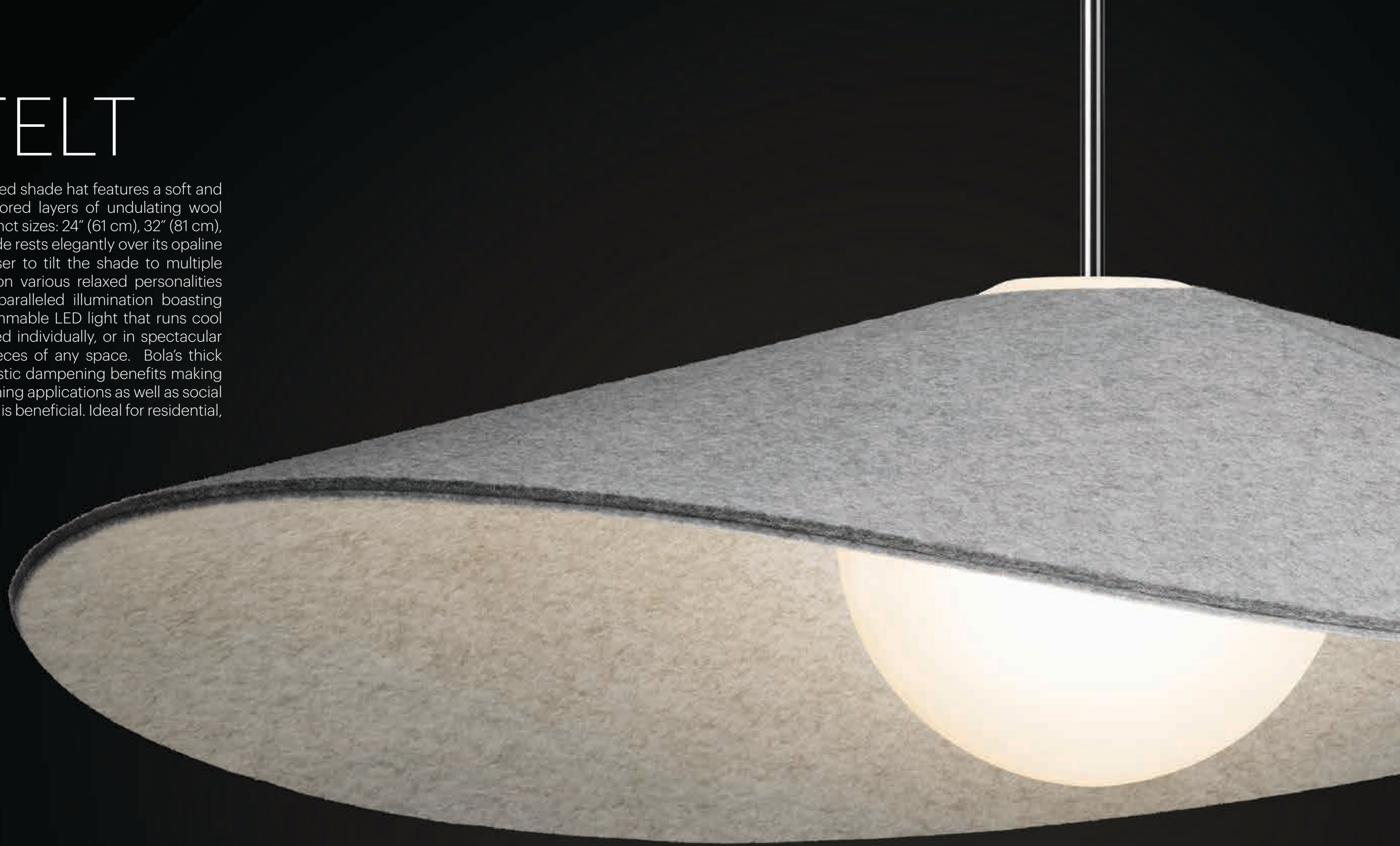




# BOLA FELT

Bola Felt's charmingly expressive felted shade hat features a soft and pliable conical structure with 2 colored layers of undulating wool inside and out. It is available in 4 distinct sizes: 24" (61 cm), 32" (81 cm), 42" (107cm), and 52" (132cm). Its shade rests elegantly over its opaline glass globe diffuser allowing the user to tilt the shade to multiple angles to focus light while taking on various relaxed personalities in the process. Bola Felt casts unparalleled illumination boasting up to 1625 lumens of warm and dimmable LED light that runs cool to the touch. Bola can be suspended individually, or in spectacular groupings to become the centerpieces of any space. Bola's thick felt shade also offers excellent acoustic dampening benefits making them perfectly suited for use over dining applications as well as social gathering areas where sound control is beneficial. Ideal for residential, lounge and hospitality spaces alike.

Designer:  
Pablo Pardo + Pablo Studio 2018



# BOLA FELT

## DESCRIPTION

Bola Felt is a uniquely expressive pendant light that features an undulating 100% wool felt shade that's adjustable to focus light to any desired direction. Bola Felt's acoustic properties provide excellent noise dampening characteristics that are perfectly suited for dining areas or quiet zones in the workplace. The shade is available in 4 distinct sizes: 24" (61cm), 32" (81cm), 42" (106cm), and 52" (132cm) with mating opaline globe diffuser sizes: 6" (15cm), 8" (20cm), 10" (25cm), and 12" (30cm) diameters. Bola Felt casts up to 1625 lumens of warm ambient light and is fully dimmable to set the ambiance.

## FIXTURE TYPE

Pendant

## LIGHT SOURCE

Custom integrated LED, high-output chip on board

## LIGHT CONTROL

Hard-wired, dimmable  
Compatible with TRIAC/ELV and 0-10V dimmers

## FEATURES

Adjustable Shade  
Acoustic Dampening  
Fully Dimmable  
Warm Dim

## SPECIFICATIONS

Voltage: 120V-277V 50/60Hz  
Power Consumption: 12W (24"), 20W (32"/42"/52")  
Color Temperature: 2700K-1800K (Warm Dim)  
Luminosity: 800 Lumens (24"), 1625 Lumens (32",42",52")  
Luminaire efficacy: 66Lm/W (24"), 80 Lm/W (32",42",52")  
Color Rendition Index: 95 CRI  
50K hour lifespan  
Cable Length: 8.9' (2.7m) (Field cuttable)

## CERTIFICATIONS



## PRODUCT CODES

Bola Felt 24:	BOLA 24 FELT
Bola Felt 32:	BOLA 32 FELT
Bola Felt 42:	BOLA 42 FELT
Bola Felt 52:	BOLA 52 FELT

## PACKAGING WEIGHT AND DIMENSIONS

Bola Felt 24	8.75LBS 4KG	25" X 25" X 10" 64cm X 64cm X 25cm
Bola Felt 32	16.5LBS 7.5KG	35" X 35" X 10.5" 89cm X 89cm X 26.7cm
Bola Felt 42	21LBS 9KG	40" X 48" X 36" 101cm X 122cm X 91cm
Bola Felt 52	28.5LBS 13KG	40" X 48" X 36" 101cm X 122cm X 91cm

## NOTES

3000K and 2700K CCT Models Available Upon Request.  
Custom requests can be considered on volume orders.



## FINISHES

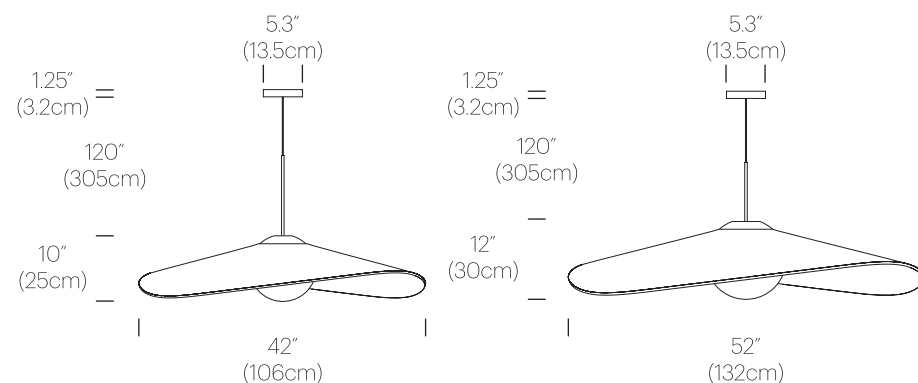
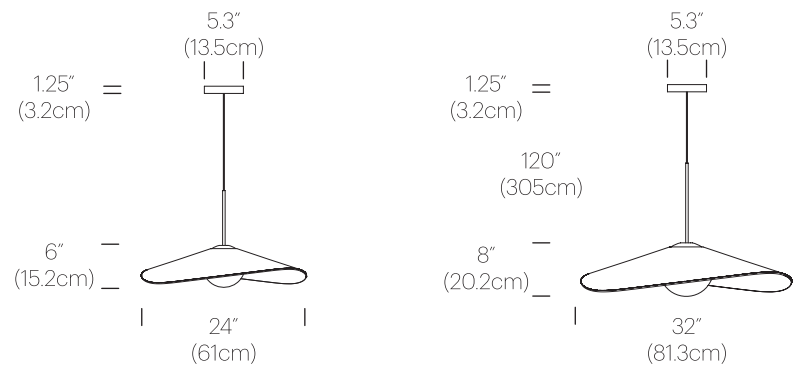
BOLA FELT



PEBBLE/  
GREY

## DIMENSIONS

BOLA FELT 24, 32, 42, 52

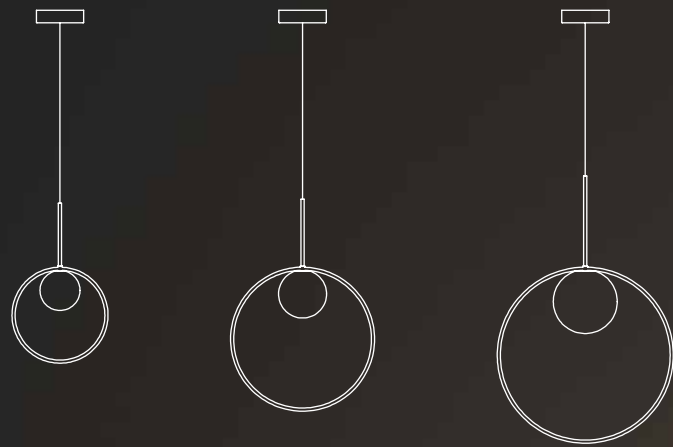




# BOLA HALO

Taking its inspiration from pendant jewelry, Bola Halo is a uniquely expressive pendant light featuring a chromated ring that balances delicately over its elegant opal glass shade while allowing its surroundings to shine through. Available in 3 distinct sizes and 3 exquisitely polished stainless steel rings in chrome, brass, and rose gold. Bola Halo's ring is repositionable for orienting to any desired direction. Depending on size, Bola Halo provides up to 1625 lumens of warm ambient light and is fully dimmable, providing unparalleled illumination. Bola can be suspended independently or as striking chandelier groupings to set the mood residential, contract, and hospitality settings alike.

Designer:  
Pablo Pardo + Pablo Studio 2018





# BOLA HALO PENDANT

## DESCRIPTION

Taking its inspiration from pendant jewelry, Bola Halo is a uniquely expressive pendant light featuring a chromated ring that balances delicately over its elegant opal glass shade while allowing its surroundings to shine through. Available in 3 distinct sizes and 3 exquisitely polished stainless steel rings in chrome, brass, and rose gold. Bola Halo's ring is repositionable for orienting to any desired direction. Depending on size, Bola Halo provides up to 1625 lumens of warm ambient light and is fully dimmable, providing unparalleled illumination. Bola can be suspended independently or as striking chandelier groupings to set the mood residential, contract, and hospitality settings alike.

## FIXTURE TYPE

Pendant

## LIGHT SOURCE

Custom integrated LED, high-output chip on board

## LIGHT CONTROL

Hard-wired, dimmable  
Compatible with TRIAC/ELV and 0-10V dimmers  
Dali compatibility upon request

## FEATURES

Fully dimmable  
Warm Dim

## SPECIFICATIONS

Voltage: 120V-277V 50/60Hz  
Power Consumption: 6W (12"), 12W (18"), 20W (22")  
Color Temperature: 2700K-1800K (Warm Dim)  
Luminosity: 290 Lumens (12"), 800 Lumens (18"), 1625 Lumens (22")  
Luminaire Efficacy: 48 Lm/W (12"), 66 Lm/W (18"), 80 Lm/W (22")  
Color Rendition Index: 95 CRI  
50K hour lifespan  
Cord Length: 8.9' (2.7m) (Field cuttable)

## CERTIFICATIONS



## PRODUCT CODES

Bola Halo 12 (Chrome):	BOLA HALO 12 CRM
Bola Halo 12 (Brass):	BOLA HALO 12 BRA
Bola Halo 12 (Rose Gold):	BOLA HALO 12 RGD
Bola Halo 18 (Chrome):	BOLA HALO 18 CRM
Bola Halo 18 (Brass):	BOLA HALO 18 BRA
Bola Halo 18 (Rose Gold):	BOLA HALO 18 RGD
Bola Halo 22 (Chrome):	BOLA HALO 22 CRM
Bola Halo 22 (Brass):	BOLA HALO 22 BRA
Bola Halo 22 (Rose Gold):	BOLA HALO 22 RGD

## PACKAGING WEIGHT AND DIMENSIONS

Bola 12 Halo	4LBS 1.8KG	13.25" X 13" X 7.25" 34cm X 33cm X 18cm
Bola 18 Halo	5.7LBS 2.6KG	18" X 18" X 8.5" 46cm X 46cm X 22cm
Bola 22 Halo	8.2LBS 3.7KG	22" X 22" X 10.5" 56cm X 56cm X 27cm

## NOTES

3000K and 3500K CCT Models Available Upon Request.  
(Please inquire for MOQ, Leadtime)  
Custom requests can be considered on volume orders.



## FINISHES

BOLA HALO



BRASS



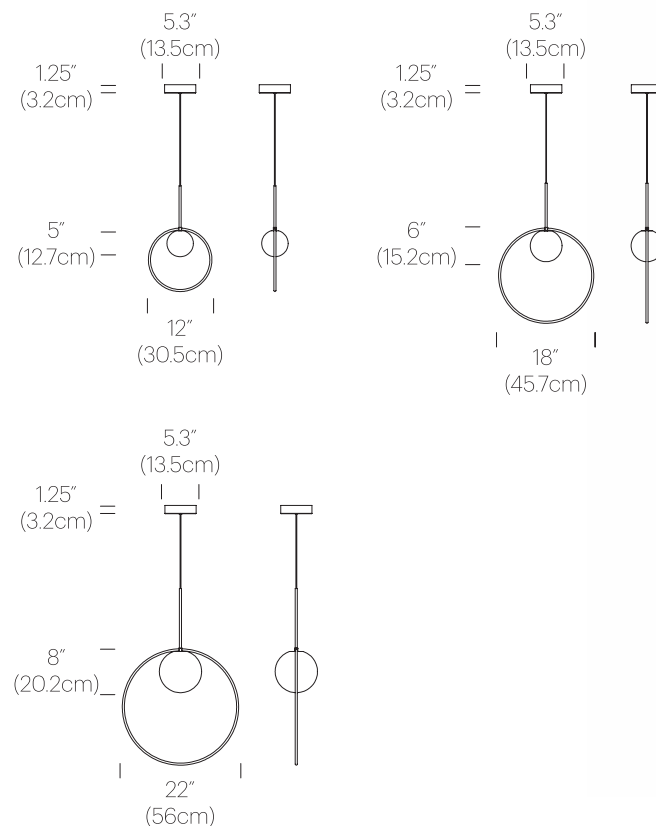
CHROME



ROSE GOLD

## DIMENSIONS

BOLA HALO 12, 18, 22



# BOLA HALO MULTI-LIGHT

## DESCRIPTION

Bola Halo's elegant ring and globe design can be suspended in a variety of custom arrangements in both round and linear configurations. With Bola Disc Multi-Light, up to 11 lamps can be grouped together in a variety of mixed disc sizes to form stunning luminaire displays. Both size and shape of the grouping is controlled by lamp quantity and positioning relative to the Multi-Light canopy. Swag mounts are provided to extend the lights out into space along with an ample cord length of 8.9' (2.7m) to offer a wide array of unique solutions.

## FIXTURE TYPE

Pendant

## LIGHT SOURCE

Custom integrated LED, high-output chip on board

## CERTIFICATIONS



BOLA HALO Multi-Light Canopy  
Small (Ø9" OD) Up to 6



or



BOLA HALO Multi-Light Canopy  
Large (Ø12" OD) 7 to 11



2, 3, 4, 5, 6... 11

## FINISHES

CANOPY



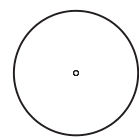
WHITE



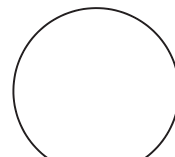
BLACK

## MULTI-LIGHT CANOPY DIMENSIONS

MULTI-LIGHT CANOPY SMALL, LARGE



9"  
(22.8cm)



12"  
(30.5cm)

## PRODUCT CODES

Multi-Light Canopy 9" (White):	BOLA CAN 9 WHT
Multi-Light Canopy 9" (Black):	BOLA CAN 9 BLK
Multi-Light Canopy 12" (White):	BOLA CAN 12 WHT
Multi-Light Canopy 12" (Black):	BOLA CAN 12 BLK

## PACKAGING WEIGHT AND DIMENSIONS

Multi-Light	2.6LBS	9.25" X 9.25" X 2.25"
Canopy Small	1.2KG	23.5cm X 23.5cm X 5.7cm
Multi-Light	5.7LBS	12.25" X 12.25" X 2.25"
Canopy Large	2.6KG	31cm X 31cm X 5.7cm

## NOTES

Custom requests can be considered on volume orders

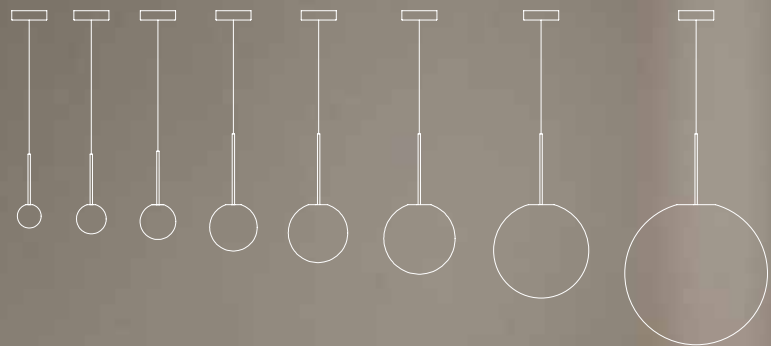




# BOLA SPHERE

Bola Sphere is the basic foundation of the Bola Collection. Bola Sphere Pendant features an elemental interplay between post and sphere with a seductive opal blown glass shade available in 8 distinct sizes: 4" (10cm), 5" (13cm), 6" (15cm), 8" (20cm), 10" (25.5cm), 12" (30.5cm), 16" (40cm), and 24" (60cm) paired with a polished steel post in chrome, brass, rose gold, gunmetal, matte black and white finishes with mating canopies. Bola Sphere Pendant can also be suspended in exquisite Chandelier groupings that allow mixing of globe sizes for stunning displays in any residential, contract or hospitality setting alike. The Bola Sphere Flush brings equal ambiance and elegance to wall and ceiling surfaces combining 7 Globe sizes. Canopies are available in chrome, brass, matte black and white finishes. Bola Sphere Flush offers full range dimming light control to create the perfect setting for hospitality and living areas alike.

Designer:  
Pablo Pardo + Pablo Studio 2019



# BOLA SPHERE PENDANT

## DESCRIPTION

The Bola Sphere pendant is the basic foundation of the Bola Collection, featuring an elemental interplay between post and sphere. Its seductive opal blown glass shade is available in 8 distinct sizes (4" (10cm), 5" (13cm), 6" (15cm), 8" (20cm), 10" (25.5cm), 12" (30.5cm), 16" (40cm), and 24" (60cm) paired with a chromated stainless steel post in chrome, brass, rose gold, gunmetal, matte black and white with mating canopies. Bola Sphere is also available in exquisite chandelier groupings that allow mixing of globe sizes for stunning displays in any residential, contract or hospitality settings alike.

## FIXTURE TYPE

Pendant

## LIGHT SOURCE

Custom integrated LED, high-output chip on board

## LIGHT CONTROL

Hard-wired, dimmable - Compatible with TRIAC/ELV and 0-10V dimmers  
Dali compatibility upon request

## FEATURES

Fully Dimmable  
Warm Dim

## SPECIFICATIONS

Voltage: 120V-277V 50/60Hz  
Power Consumption: 6W (4", 5"), 12W (6"), 20W (8", 10", 12", 16", 24")  
Color Temperature: 2700K-1800K (Warm Dim)  
Luminosity: 290 Lumens (4"), 305 Lumens (5"), 800 Lumens (6"), 1625 Lumens (8", 10", 12", 16"), 1700 Lumens (24")  
Luminaire Efficacy: 62 Lm/W(average)  
Color Rendition Index: 95 CRI  
50K hour lifespan  
Cord Length: 8.9' (2.7m) (Field cuttable)

## CERTIFICATIONS



## FINISHES

### BOLA SPHERE



## DIMENSIONS

BOLA SPHERE 4, 5, 6, 8, 10, 12, 16, 24

## PRODUCT CODES (ENTER GLOBE SIZE IN BLANK SPACE)

Bola Sphere (Chrome):	BOLA SPH	CRM
Bola Sphere (Brass):	BOLA SPH	BRA
Bola Sphere (Rose Gold):	BOLA SPH	RGD
Bola Sphere (Gunmetal):	BOLA SPH	GUN
Bola Sphere (Matte Black):	BOLA SPH	BLK
Bola Sphere (Matte White):	BOLA SPH	WHT

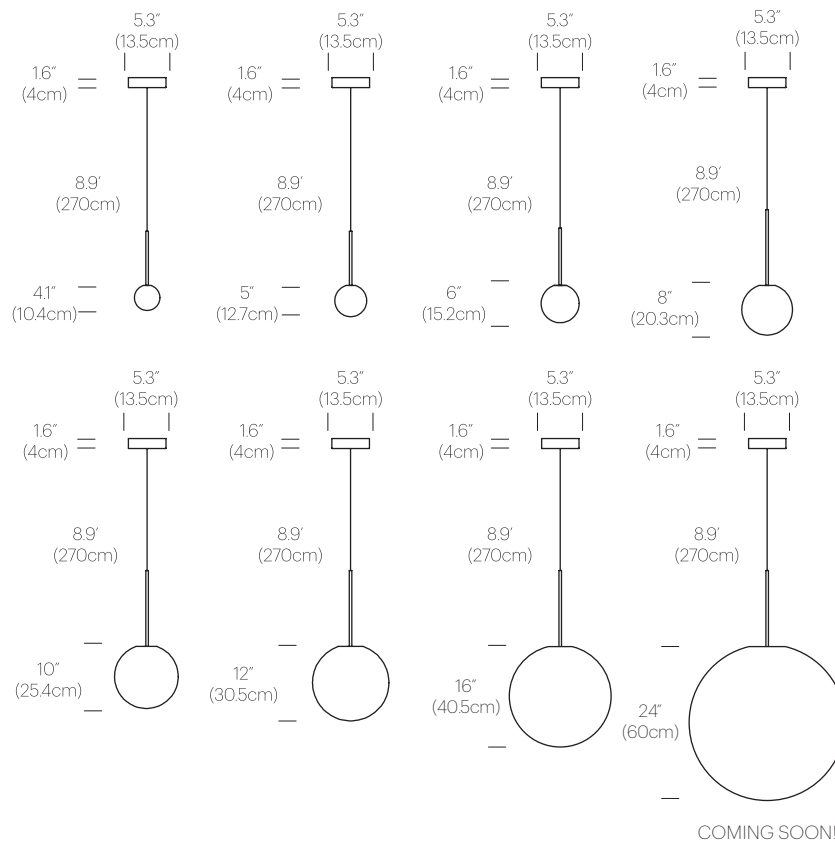
## PACKAGING WEIGHT AND DIMENSIONS

Bola Sphere 4	2.6LBS 1.2KG	10" X 9" X 8.5" 25cm X 23cm X 22cm
Bola Sphere 5	3LBS 1.4KG	10" X 9" X 8.5" 25cm X 23cm X 22cm
Bola Sphere 6	3.5LBS 1.6KG	11.5" X 9" X 10.5" 29cm X 23cm X 27cm
Bola Sphere 8	5LBS 2.28KG	12" X 12" X 12.25" 30cm X 30cm X 31cm
Bola Sphere 10	5.5LBS 2.5KG	14" X 14" X 16.5" 36cm X 36cm X 42cm
Bola Sphere 12	7.2LBS 3.3KG	18" X 18" X 18" 46cm X 46cm X 46cm
Bola Sphere 16	8LBS 3.6KG	20" X 20" X 20" 50cm X 50cm X 50cm
Bola Sphere 24	15LBS 6.8KG	24.5" X 24.5" X 24.5" 62cm X 62cm X 62cm

## NOTES

Bola 4-16 : Opal glass globe, Bola 24: Opal Polyethylene globe  
3000K and 3500K CCT Models Available Upon Request.  
(Please inquire for MOQ, Leadtime)

Custom requests can be considered on volume orders









# BOLA SPHERE CHANDELIER

## DESCRIPTION

The Bola Sphere pendant chandelier is the basic foundation of the Bola Collection, featuring an elemental interplay between post and sphere. Its seductive opal blown glass shade is available 6 distinct sizes (4" (10cm), 5" (13cm), 6" (15cm), 8" (20cm), 10" (25.5cm), 12" (30.5cm), 16" (40cm), and 24" (60cm) paired with a chromated stainless steel post in chrome, brass, rose gold, gunmetal, and matte black. Two sizes of canopy are available to accommodate Bola Sphere is also available in exquisite Chandelier groupings that allow mixing of globe sizes for stunning displays in any residential, contract or hospitality setting alike.

## FIXTURE TYPE

Pendant

## LIGHT SOURCE

Custom integrated LED, high-output chip on board

## LIGHT CONTROL

Hard-wired, dimmable  
Compatible with TRIAC/ELV and 0-10V dimmers  
Dali compatability upon request

## FEATURES

Fully Dimmable  
Warm Dim  
17" Canopy: Up to 7 lamps  
26" Canopy: Up to 13 lamps

## CERTIFICATIONS



## FINISHES

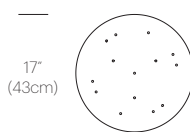
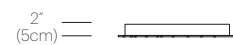
### BOLA SPHERE



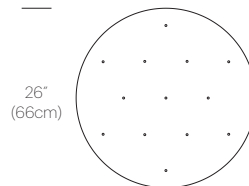
## DIMENSIONS

CHANDELIER CANOPY 17", 26"

### CHANDELIER CANOPY 17"



### CHANDELIER CANOPY 26"



## PRODUCT CODES

17" Chandelier Canopy:	CHND CAN 17
26" Chandelier Canopy:	CHND CAN 26

## PACKAGING WEIGHTS AND DIMENSIONS

Chandelier canopy 17":	15LBS	22" X 22" X 6"
	6.8KGS	56cm X 56cm X 15cm
Chandelier canopy 26":	30LBS	32" X 32" X 6"
	13.6KGS	81cm X 81cm X 15cm

## NOTES

Custom requests can be considered on volume orders







# BOLA SPHERE FLUSH

## DESCRIPTION

Flush mount versions are available in the full range of Bola globe sizes (4",5",6",8",10",12",16") paired with up to 4 premium canopy finishes. Lamps can be grouped in multi-axis configurations and sizes to provide delightful dots of illumination throughout any space.

## FIXTURE TYPE

Wall/Ceiling

## LIGHT SOURCE

Custom integrated LED, high-output chip on board

## LIGHT CONTROL

Hard-wired, dimmable - Compatible with TRIAC/ELV and 0-10V dimmers

Dali compatability upon request

## FEATURES

Fully Dimmable

Warm Dim

## SPECIFICATIONS

Voltage: 120V-277V 50/60Hz

Power Consumption: 6W (4", 5"), 12W (6"),

20W (8", 10", 12", 16")

Color Temperature: 2700K-1800K (Warm Dim)

Luminosity: 290 Lumens (4"), 305 Lumens ( 5"), 800

Lumens (6"), 1625 Lumens (8", 10", 12", 16")

Luminaire Efficacy: 62 Lm/W(average)

Color Rendition Index: 95 CRI

50K hour lifespan

## CERTIFICATIONS



## FINISHES

BOLA SPHERE FLUSH



CHROME



BRASS



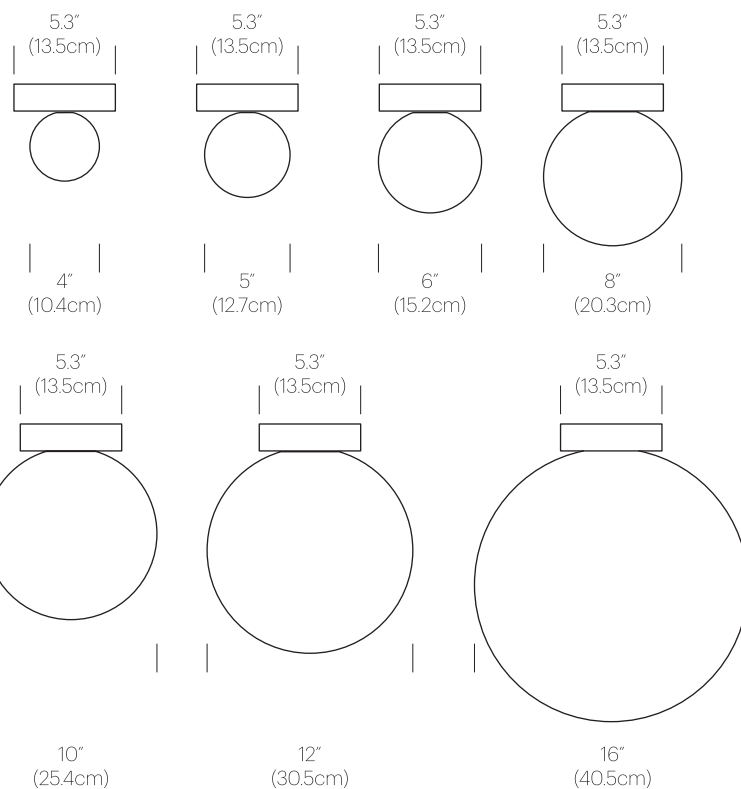
MATTE BLACK



MATTE WHITE

## DIMENSIONS

BOLA SPHERE FLUSH 4, 5, 6, 8, 10, 12, 16



## PRODUCT CODES (ENTER GLOBE SIZE IN BLANK SPACE)

Bola Sphere Flush (Chrome):	BOLA SPH FSH CRM
Bola Sphere Flush (Brass):	BOLA SPH FSH BRA
Bola Sphere Flush (Matte Black):	BOLA SPH FSH BLK
Bola Sphere Flush (Matte White):	BOLA SPH FSH WHT

## PACKAGING WEIGHT AND DIMENSIONS

Bola Sphere 4	2.6LBS	10" X 9" X 8.5"
	1.2KG	25cm X 23cm X 22cm
Bola Sphere 5	3LBS	10" X 9" X 8.5"
	1.4KG	25cm X 23cm X 22cm
Bola Sphere 6	3.5LBS	11.5" X 9" X 10.5"
	1.6KG	29cm X 23cm X 27cm
Bola Sphere 8	5LBS	12" X 12" X 12.25"
	2.28KG	30cm X 30cm X 31cm
Bola Sphere 10	5.5LBS	14" X 14" X 16.5"
	2.5KG	36cm X 36cm X 42cm
Bola Sphere 12	7.2LBS	18" X 18" X 18"
	3.3KG	46cm X 46cm X 46cm
Bola Sphere 16	8LBS	20" X 20" X 20"
	3.6KG	50cm X 50cm X 50cm

## NOTES

3000K and 3500K CCT Models Available Upon Request.

(Please inquire for MOQ, Leadtime)

Custom requests can be considered on volume orders





# BOLA SPHERE TABLE



## DESCRIPTION

The Bola Sphere Table series fuses an elegant blown opal glass sphere with a mirrored disc base in polished stainless steel to give the illusion of a floating orb in space. Taking its cues from the Bola Family Collection, the new table version brings this magical combination to a table surface, allowing for full range dimming and is available in 4 distinct globe sizes: 8" (20cm), 10" (25.4cm), 12" (30.5cm), and 16" (40cm). Its mating base is available in 3 corresponding diameters: 9.5" (24cm), 12" (30.5cm), and 14" (36cm) in 5 exquisite finishes: chrome, brass, rose gold, gunmetal, and matte black. Each finish provides a distinct personality for any residential, contract, or hospitality environment. The Bola Sphere Table is now available with a larger 16" (40cm) globe!

## FIXTURE TYPE

Table

## LIGHT SOURCE

US		EU	
Brand: <b>SATCO</b>		Brand: <b>PHILIPS</b>	
8W LED		8.5W LED	
2700K		2700K	
E26/BT-15		E27/A60	
800Lm		806Lm	

## LIGHT CONTROL

In-line dimmer

## FEATURES

Fully dimmable

## SPECIFICATIONS

Voltage: 120V or 240V, 50/60Hz  
 Power Consumption:  
 LED Warm Dim Bulb: 9.5W (60W equivalent)  
 Color Temperature: 2700 - 2200K  
 Luminosity: 800 Lumens  
 Luminaire Efficacy: 84 Lumens/Watt MAX  
 Color Rendition Index: 90 CRI  
 Cord Length: 6' (1.8m)

## CERTIFICATION



## PRODUCT CODES (ENTER GLOBE SIZE IN BLANK SPACE)

Bola Sphere Table (Chrome):	BOLA SPH TBL _CRM
Bola Sphere Table (Brass):	BOLA SPH TBL _BRA
Bola Sphere Table (Rose Gold):	BOLA SPH TBL _RGD
Bola Sphere Table (Gunmetal):	BOLA SPH TBL _GUN
Bola Sphere Table (Matte Black):	BOLA SPH FSH _BLK

## PACKAGING WEIGHTS AND DIMENSIONS

BOLA SPH 8:	4LBS	10" X 10" X 14.5"
	1.8KGS	25cm X 25cm X 37cm
BOLA SPH 10:	4.2LBS	13" X 13" X 18"
	1.9KGS	33cm X 33cm X 46cm
BOLA SPH 12:	5.2LBS	16" X 16" X 21"
	2.4KGS	40cm X 40cm X 53cm
BOLA SPH 16:	8LBS	20" X 20" X 21"
	3.6KGS	50cm X 50cm X 53cm

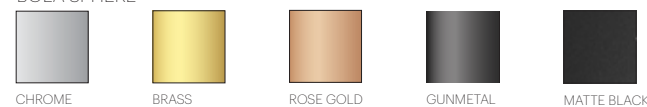
## NOTES

Custom requests can be considered on volume orders



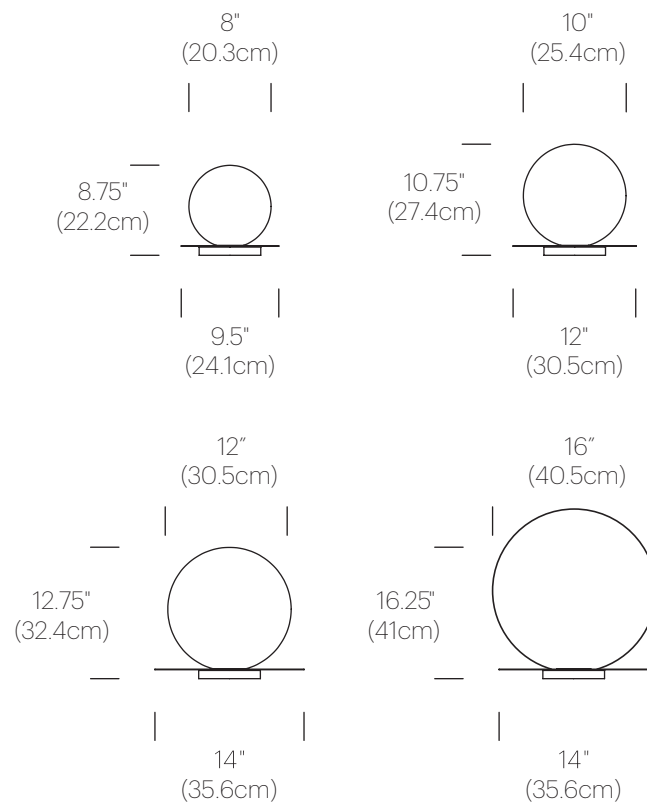
## FINISHES

### BOLA SPHERE



## DIMENSIONS

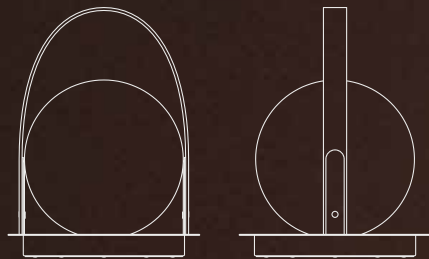
BOLA SPHERE TABLE 8, 10, 12, 16



# BOLA LANTERN

Based on the Bola Sphere Table 8, the Bola Lantern adds a premium leather handle and a rechargeable battery that enables a level of portability new to the Bola Family. Bola Lantern's size and stature give a sense of presence that is unfound with portables, while maintaining the lightness associated with the floating orbs that are Bola. Discs are available in chrome, brass, gunmetal, and matte black. The leather handles are available in a natural vegetable tanned leather and black. Battery life ranges from 10 - 400 hours depending on light intensity. Bola Lantern produces 280 lumens of warm ambient light.

Designer:  
Pablo Pardo + Pablo Studio 2021





# BOLA LANTERN

## DESCRIPTION

Based on the Bola Sphere Table 8, the Bola Lantern adds a premium leather handle and a rechargeable battery that enables a level of portability new to the Bola Family. Bola Lantern's size and stature gives a sense of presence that's unfound with portables, while maintaining the lightness associated with the floating orbs that are Bola. Discs are available in brass, chrome, gunmetal, and matte black. The leather handles are available in natural vegetable tanned leather and black.

## FIXTURE TYPE

Portable

## LIGHT SOURCE

LED High-output Chip-on-board

## LIGHT CONTROL

Mechanical push button  
Full-range dimming (100-10%)  
4-stage dimming (100.40/20/3%)

## FEATURES

Portable and rechargeable  
10-400hr Battery life  
USB Charging cable included  
Warm Dim  
Surface mount

## SPECIFICATIONS

Voltage: 120V or 240V, 50/60Hz  
Power Consumption: 3.2W  
Color Temperature: 2700-1800K (warm dim)  
Luminosity: 280 Lumens  
Luminaire Efficacy: 87.5 Lumens/Watt MAX  
Color Rendition Index: 95 CRI  
Cord Length: 6' (1.8m)  
IP Rating: IP20  
6 hr Charge time (using 10W power plug, not included)

## CERTIFICATION



## FINISHES

### DISC



BRASS



CHROME



GUNMETAL



MATTE BLACK

### LEATHER HANDLE



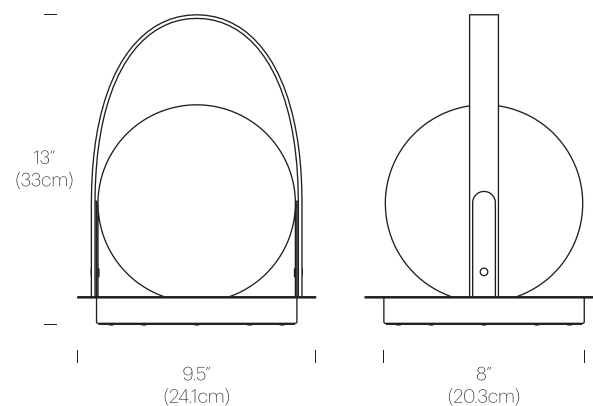
VEG TAN



BLACK

## DIMENSIONS

### BOLA LANTERN



## PRODUCT CODES

Bola Lantern (Black/Gunmetal):	BOLA LTN GUN BLK
Bola Lantern (Black/Matte black):	BOLA LTN BLK BLK
Bola Lantern (Black/Brass):	BOLA LTN BRA BLK
Bola Lantern (Tan/Brass):	BOLA LTN BRA TAN
Bola Lantern (Tan/Matte black):	BOLA LTN BLK TAN
Bola Lantern (Tan/Chrome):	BOLA LTN CRM TAN

## PACKAGING WEIGHTS AND DIMENSIONS

Bola Lantern:	4LBS	10" X 10" X 14.5"
	1.8KGS	25cm X 25cm X 37cm

## NOTES

Custom requests can be considered on volume orders





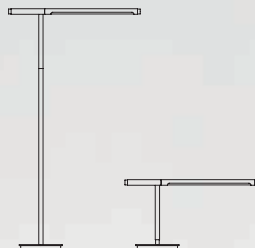


# BRAZO

Fusing breakthrough LED technology with a uniquely tactile and calibrated light control experience, Brazo is an intelligent, precise and effortlessly adjustable task lamp. A user can tune it to any beam spread, brightness and direction, controlling the volume and focus of light. The aluminum shade on the lamp's arm enables much of this adjustability, enabling the user to fluidly dial it around the light source to guide the beam in any direction. Although suitable for any environment, the versatility and 360° adjustability offered in its minimal frame makes Brazo ideal for use in work environments. Brazo transforms from table to floor model with a simple extension post and ships flat-packed for easy transport.

Designer:  
Pablo Pardo 2007/2008

Awards:  
[2008 IDEA Gold Award](#)  
[2007 Best of Neocon Gold](#)



# BRAZO TABLE

## DESCRIPTION

Brazo's precision machined aluminum construction allows for optimal task lighting control with 360° adjustability and 90° tilt. Brazo features a luminous and energy-efficient LED light source which can be dialed to any desired beam-spread and brightness depending on the task.

## FIXTURE TYPE

Table

## LIGHT SOURCE

(108x) High output LED array

## LIGHT CONTROL

Full range dim (rotary dimmer)

## FEATURES

- 360° arm rotation
- 90° arm tilt
- Calibrated light focus control
- Height adjustable
- Advanced LED array eliminates multiple shadows
- Ships flat-packed
- 97% recyclable

## SPECIFICATIONS

- Voltage: 120-240V 50-60Hz
- Power Consumption: 9W
- Color temperature: 3000K
- Luminosity: 450 Lumens
- Luminaire efficacy: 50 Lumens/Watt
- Color Rendition Index: 90+ CRI
- Title 20 compliant
- 50K hour lifespan
- Cable length: 8' (244cm)
- Global multi-plug adapter available

## CERTIFICATIONS



## PRODUCT CODES

Brazo Table (Silver):	BRAZ TBL SLV
Brazo Table (Black):	BRAZ TBL BLK
Brazo Table (White):	BRAZ TBL WHT

## PACKAGING WEIGHT AND DIMENSIONS

BRAZO TABLE:	14.2LBS	39" X 11" X 5"
	6.4KGS	99cm X 28cm X 13cm

## NOTES

Custom requests can be considered on volume orders

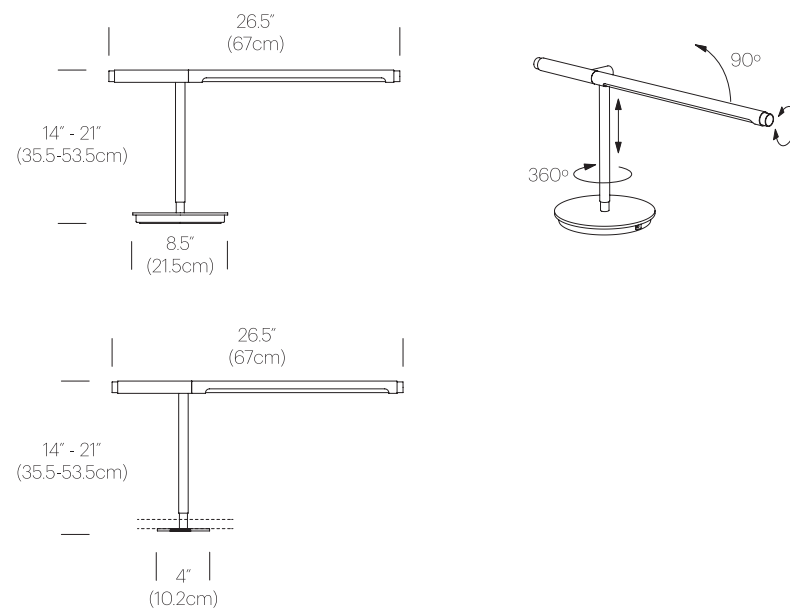


## FINISHES



## DIMENSIONS

BRAZO TABLE



SURFACE MOUNT AVAILABLE FOR 118" (3cm), 2" (5cm) AND 3" (7.5cm) WORKSURFACES



# BRAZO FLOOR

## DESCRIPTION

Brazo's precision machined aluminum construction allows for optimal task lighting control with 360° adjustability and 90° tilt. Brazo features a luminous and energy-efficient LED light source which can be dialed to any desired beam-spread and brightness depending on the task.

## FIXTURE TYPE

Floor

## LIGHT SOURCE

(108x) High output LED array

## LIGHT CONTROL

Full range dim (rotary dimmer)

## FEATURES

- 360° arm rotation
- 90° arm tilt
- Calibrated light focus control
- Height adjustable
- Advanced LED array eliminates multiple shadows
- Ships flat-packed
- 97% recyclable

## SPECIFICATIONS

- Voltage: 120-240V 50-60Hz
- Power Consumption: 9W
- Color temperature: 3000K
- Luminosity: 450 Lumens
- Luminaire efficacy: 50 Lumens/Watt
- Color Rendition Index: 90+ CRI
- Title 20 compliant
- 50K hour lifespan
- Cable length: 8' (244cm)
- Global multi-plug adapter available

## CERTIFICATIONS



## PRODUCT CODES

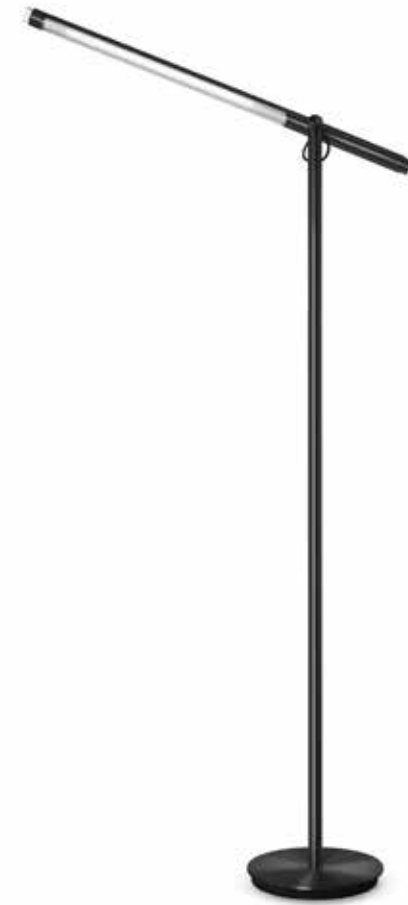
Brazo Floor (Silver):	BRAZ FLR SLV
Brazo Floor (Black):	BRAZ FLR BLK
Brazo Floor (White):	BRAZ FLR WHT

## PACKAGING WEIGHT AND DIMENSIONS

BRAZO FLOOR:	15.55LBS	39" X 11" X 5"
	7.1KGS	99cm X 28cm X 13cm

## NOTES

Custom requests can be considered on volume orders



## FINISHES



SILVER



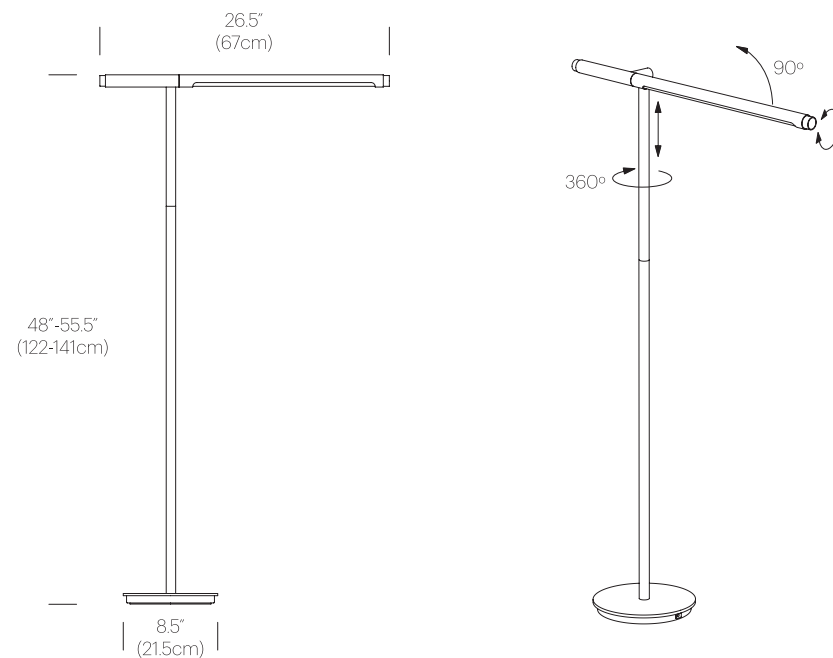
BLACK



WHITE

## DIMENSIONS

BRAZO FLOOR



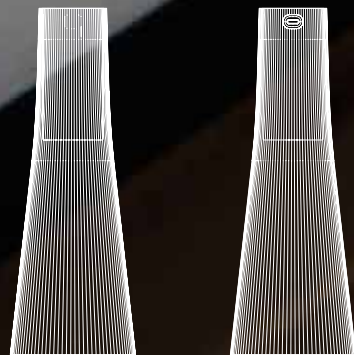


# CANDÉL

Inspired by a cone of light, Candél's graceful vessel-like silhouette is in perfect harmony with its surroundings allowing the environment to filter through. Candél casts a warm, intimate candle-like glow that's sure to seduce and become the central focus of any social gathering. Candél is a fully rechargeable portable LED light designed for both indoors and outdoors. Features a robust PMMA body in clear, bronze, or smoked tint combined with a striking anodized aluminum light module that offers capacitive touch light control to provide up to 4 light levels to set the perfect ambiance. Battery life ranges from 10 to 150+ hours depending on light intensity.

Designer:  
Pablo Pardo + Pablo Studio 2020

Awards:  
2020 Hospitality Design Product Award  
2021 International Design Award





# CANDÉL

## DESCRIPTION

Candél is a fully rechargeable portable LED light designed for both indoors and outdoors. Features a robust PMMA body in Clear, Bronze or Smoke tint combined with a striking anodized aluminum light module available in anodized silver, black, brass, or matte white paint. Candél uses capacitive touch technology for adjusting light intensity. Battery life: 10-150+ hours depending on light intensity.

## FIXTURE TYPE

Portable

## LIGHT SOURCE

LED High-Output chip on board

## LIGHT CONTROL

Capacitive touch switch  
4-stage dimming (100/70/30/7%)

## FEATURES

Portable and rechargeable  
10-150+hr battery life  
USB charging cable included

## SPECIFICATIONS

Power Consumption: 2W  
Color Temperature: 2500-1800K (Warm Dim)  
Luminosity: 110 Lumens  
Luminaire Efficacy: 55 Lumens/Watt  
Color Rendition Index: 94 CRI  
Cable length: 6' (183cm)  
IP Rating: IP20. IP54 Available upon request

## CERTIFICATIONS



## FINISHES

CANDÉL



CLEAR/SILVER



CLEAR/WHITE



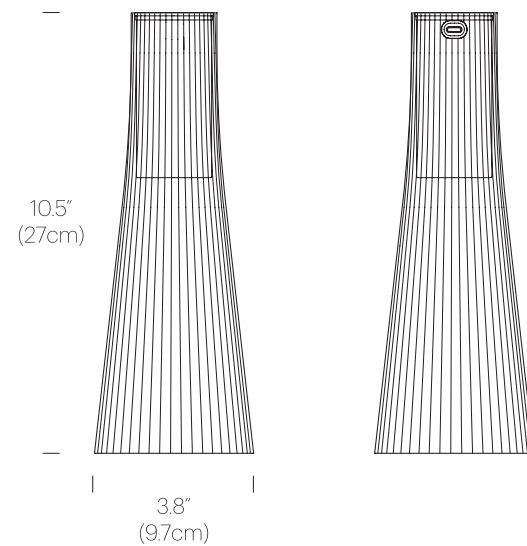
SMOKE/BLACK



BRONZE/BRASS

## DIMENSIONS

CANDÉL



## PRODUCT CODES

Candél (Smoke/Black):	CAND BLK
Candél (Bronze/Brass):	CAND BRZ
Candél (Clear/Silver):	CAND CLR
Candél (Clear/White):	CAND WHT

## PACKAGING WEIGHT AND DIMENSIONS

Candél:	1.5LBS	4" X 11.8"
	.68KG	10cm X 30cm

## NOTES

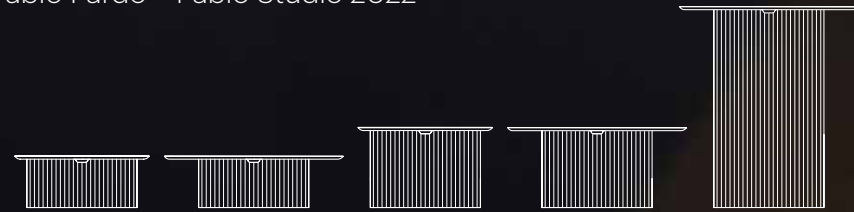
Custom requests can be considered on volume orders



# CAROUSEL

Carousel blurs the line between ambiance and utility combining a low setting wireless charging tray surface for your mobile devices with warm, glare-free illumination. It's low profile LED light module is discreetly concealed below its mating tray and suspended atop a transparent fluted acrylic cylinder diffuser that radiates mesmerizing light patterns onto the table surface below. Perfectly suited for desktop or bedside use, Carousel embodies a uniquely hybrid perspective on what a personal light can be. The base diffuser is offered in both clear and bronze tint and can be paired with a spun steel tray in matte white, terra cotta, and black finishes.

Designer:  
Pablo Pardo + Pablo Studio 2022





# CAROUSEL TABLE

## DESCRIPTION

Carousel blurs the line between ambiance and utility combining a low setting wireless charging tray surface for your mobile devices with warm, glare-free illumination. It's low profile LED light module is discreetly concealed below its mating tray and suspended atop a transparent fluted acrylic cylinder diffuser that radiates mesmerizing light patterns onto the table surface below. Perfectly suited for desktop or bedside use, Carousel embodies a uniquely hybrid perspective on what a personal light can be. The base diffuser is offered in both clear and bronze tint and can be paired with a spun steel tray in White, Terracotta, and Black.

## FIXTURE TYPE

Table

## LIGHT SOURCE

Flat Panel LED

## LIGHT CONTROL

Capacitive touch switch (3-stage dimming 100/40/10%)

## FEATURES

Wireless charging w/ indicator light (2)  
USB-C charging port

## SPECIFICATIONS

Voltage: 120-240V 50/60Hz  
Power Consumption: 7W  
Color Temperature: 2700-2200K  
Luminosity: 425 Lumens  
Luminaire Efficacy: 61 Lumens/Watt  
Color Rendition Index: 90 CRI  
Cable length: 6' (183cm)

## CERTIFICATIONS



## FINISHES

### DIFFUSER



CLEAR



BRONZE

### TRAY



TERRACOTTA



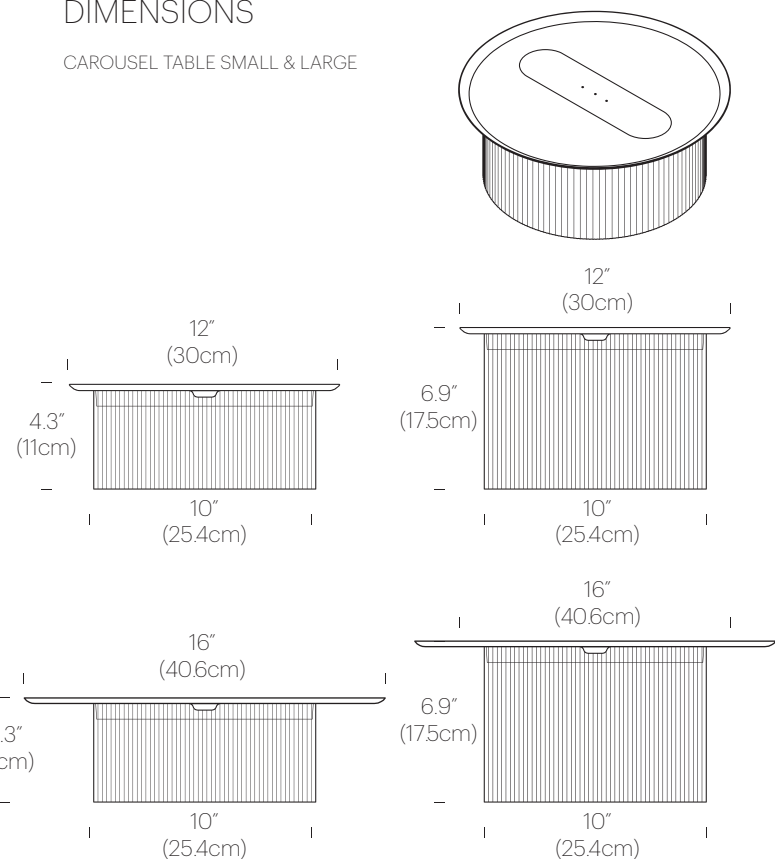
WHITE



BLACK

## DIMENSIONS

CAROUSEL TABLE SMALL & LARGE



## PRODUCT CODES (ENTER TRAY SIZE IN BLANK SPACE)

Carousel Table Small (Black/Bronze):	CARO SML BRZ	BLK
Carousel Table Small (Black/Clear):	CARO SML CLR	BLK
Carousel Table Small (White/Bronze):	CARO SML BRZ	WHT
Carousel Table Small (White/Clear):	CARO SML CLR	WHT
Carousel Table Small (Terracotta/Bronze):	CARO SML BRZ	TER
Carousel Table Small (Terracotta/Clear):	CARO SML CLR	TER
Carousel Table Large (Black/Bronze):	CARO LRG BRZ	BLK
Carousel Table Large (Black/Clear):	CARO LRG CLR	BLK
Carousel Table Large (White/Bronze):	CARO LRG BRZ	WHT
Carousel Table Large (White/Clear):	CARO LRG CLR	WHT
Carousel Table Large (Terracotta/Bronze):	CARO LRG BRZ	TER
Carousel Table Large (Terracotta/Clear):	CARO LRG CLR	TER

## PACKAGING WEIGHTS AND DIMENSIONS

Carousel Table SM:	1LBS	11" X 11" X 5.5"
(Base)	.45KG	28cm X 28cm X 14cm
Carousel Table:	2LBS	13" X 13" X 1.5"
(12" Tray and Module)	.9KG	33cm X 33cm X 3.8cm
Carousel Table LG:	1.5LBS	6" X 6" X 15.75"
(Base)	7KG	15cm X 15cm X 40cm
Carousel Table:	5LBS	17" X 17" X 1.5"
(16" Tray and Module)	2.25KG	43cm X 43cm X 4cm

## NOTES

Custom requests can be considered on volume orders







# CAROUSEL FLOOR

## DESCRIPTION

Carousel blurs the line between ambiance and utility combining a low setting wireless charging tray surface for your mobile devices with warm, glare-free illumination. Its low profile LED light module is discreetly concealed below its mating tray and suspended atop a transparent fluted acrylic cylinder diffuser that radiates mesmerizing light patterns onto the table surface below. Perfectly suited for desktop or bedside use, Carousel embodies a uniquely hybrid perspective on what a personal light can be. The base diffuser is offered in both clear and bronze tint and can be paired with a spun steel tray in White, Terracotta, and Black.

## FIXTURE TYPE

Floor

## LIGHT SOURCE

Flat Panel LED

## LIGHT CONTROL

Capacitive touch switch (3-stage dimming 100/40/10%)

## FEATURES

Wireless charging w/ indicator light (2)  
USB-C charging port

## SPECIFICATIONS

Voltage: 120-240V 50/60Hz  
Power Consumption: 7W  
Color Temperature: 2700-2200K  
Luminosity: 425 Lumens  
Luminaire Efficacy: 61 Lumens/Watt  
Color Rendition Index: 90 CRI  
Cable length: 6' (183cm)

## CERTIFICATIONS



## FINISHES

### DIFFUSER



CLEAR



BRONZE

### TRAY



TERRACOTTA



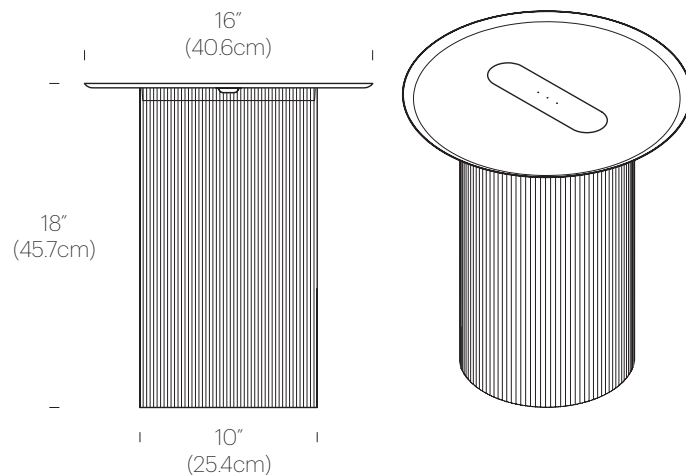
WHITE



BLACK

## DIMENSIONS

### CAROUSEL FLOOR



## PRODUCT CODES

Carousel Floor (Black/Bronze):	CARO FLR BRZ 16 BLK
Carousel Floor (Black/Clear):	CARO FLR CLR 16 BLK
Carousel Floor (White/Bronze):	CARO FLR BRZ 16 WHT
Carousel Floor (White/Clear):	CARO FLR CLR 16 WHT
Carousel Floor (Terracotta/Bronze):	CARO FLR BRZ 16 TER
Carousel Floor (Terracotta/Clear):	CARO FLR CLR 16 TER

## PACKAGING WEIGHTS AND DIMENSIONS

Carousel Floor:	3.5LBS	17" X 17" X 20"
(Base)	1.6KG	43cm X 43cm X 51cm

## NOTES

Custom requests can be considered on volume orders



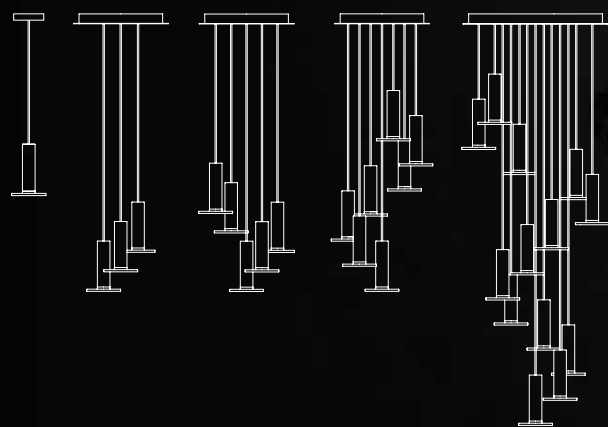




# CIELO PLUS

Through its minimal form and glare-free, flat panel LED technology, Cielo enables light to act as its expressive element and defining feature. Its finish palate also works to this end, underscoring the lamp's simple structure and exalting its light. Cielo's classic shape integrates into any environment, regardless of style, and it can be suspended individually, in a series or as a chandelier to provide warm and balanced illumination. The larger the grouping, the bolder the display. Cielo offers a full dimming range and is composed of energy efficient LEDs rated for up to 50K hours. Now available in brand new Hi-Bright model boasting 930 lumens of glare free illumination.

Designer:  
Pablo Studio 2012



# CIELO PLUS PENDANT

## DESCRIPTION

Through its minimal form and glare-free, flat panel LED technology, Cielo enables light to act as its expressive element and defining feature. Boasting a robust 930 lumens of warm dimmable light, Cielo Plus maintains a compact and classic shape that integrates into any environment, regardless of style. Cielo Plus is offered in two refined machine-trace finishes in silver and brass as well as two textured painted finishes in white and black. Cielo can be suspended individually, in a series, or in chandelier groupings to provide warm and balanced illumination. The larger the grouping, the bolder the display. Cielo offers full range dimming and is composed of energy efficient LEDs rated for up to 50K hours.

## FIXTURE TYPE

Pendant

## LIGHT SOURCE

LED Flat-Panel

## LIGHT CONTROL

Hard-wired, dimmable  
Compatible with TRIAC and ELV dimmers  
0-10V available upon request  
Dali compatibility upon request

## FEATURES

Energy efficient flat panel technology  
Full-range dim  
Glare-free illumination

## SPECIFICATIONS

Voltage: 120V or 240V 50-60Hz  
Power Consumption: 12.8W  
Color temperature: 2700K  
Luminosity: 930 Lumens  
Luminaire efficacy: 72 Lumens/Watt  
Color Rendition Index: 91 CRI  
Title 20 compliant  
50K hour lifespan  
Cable length: 10' (305cm) (Field Cuttable)

## CERTIFICATIONS



## PRODUCT CODES

Cielo Plus (Black):	CIEL PLUS BLK/BLK
Cielo Plus (White):	CIEL PLUS WHT/WHT
Cielo Plus (Silver):	CIEL PLUS SLV
Cielo Plus (Brass):	CIEL PLUS BRA

## PACKAGING WEIGHT AND DIMENSIONS

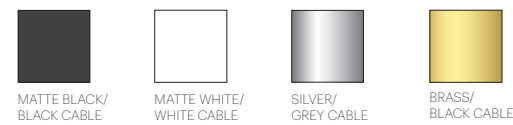
Cielo Plus:	3.65LBS	11" X 7.5" X 7.5"
	1.7KGS	28cm X 19cm X 19cm

## NOTES

Custom requests can be considered on volume orders



## FINISHES



MATTE BLACK/  
BLACK CABLE

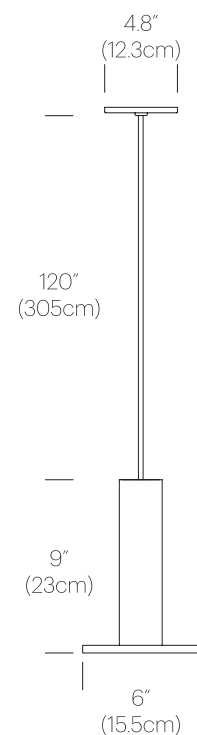
MATTE WHITE/  
WHITE CABLE

SILVER/  
GREY CABLE

BRASS/  
BLACK CABLE

## DIMENSIONS

CIELO PLUS





# CIELO PLUS CHANDELIER

## DESCRIPTION

Cielo chandelier's grouping of LED pendants provides perfectly balanced and warm illumination in a simple and expressive silhouette. Cielo Chandelier is available in 3, 5, 7 and 13 Cielo pendant configurations to accent any residential, commercial or hospitality setting. Cielo features a fully dimmable and energy efficient flat panel technology that is rated for up to a 50K hour lifespan. Now available in brand new Hi-Bright model boasting 930 lumens of glare free illumination.

## FIXTURE TYPE

Pendant

## LIGHT SOURCE

LED Flat-Panel

## LIGHT CONTROL

Hard-wired, dimmable  
Compatible with TRIAC/ELV and 0-10V dimmers  
0-10V dimming available upon request

## FEATURES

Energy efficient flat panel technology  
Full-range dim  
Available in multiple color combinations  
Glare-free illumination

## SPECIFICATIONS

Voltage: 120V or 240V 50-60Hz  
Power Consumption: 12.8W per lamp  
Color temperature: 2700K  
Luminosity: 930 Lumens  
Luminaire efficacy: 72 Lumens/Watt  
Color Rendition Index: 91 CRI  
Title 20 compliant  
50K hour lifespan  
Cable length: 10' (305cm) (Field Cuttable)

## CERTIFICATIONS



## PRODUCT CODES

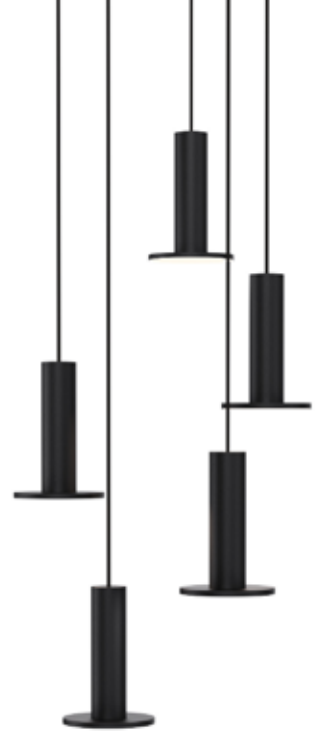
Cielo Plus (Black):	CIEL PLUS BLK/BLK
Cielo Plus (White):	CIEL PLUS WHT/WHT
Cielo Plus (Silver):	CIEL PLUS SLV
Cielo Plus (Brass):	CIEL PLUS BRA
Cielo Chandelier (3/5/7):	CIEL HB CHND 3/5/7
Cielo Chandelier (13):	CIEL HB CHND 13

## PACKAGING WEIGHT AND DIMENSIONS

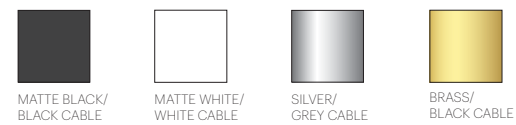
Cielo:	3.65LBS	11" X 7.5" X 7.5"
	1.7KGS	28cm X 19cm X 19cm
Chandelier canopy 17":	15LBS	22" X 22" X 6"
	6.8KGS	56cm X 56cm X 15cm
Chandelier canopy 26":	30LBS	32" X 32" X 6"
	13.6KGS	81cm X 81cm X 15cm

## NOTES

Custom requests can be considered on volume orders

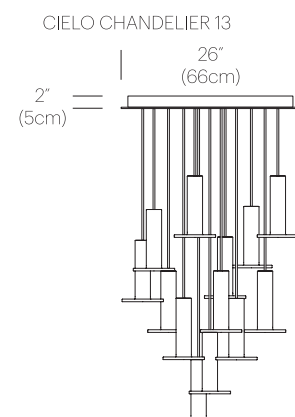
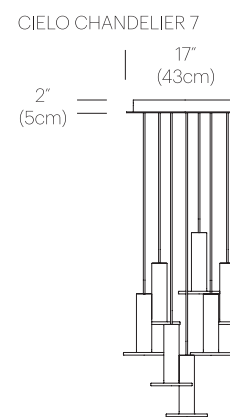
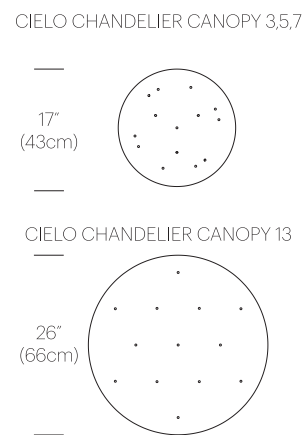
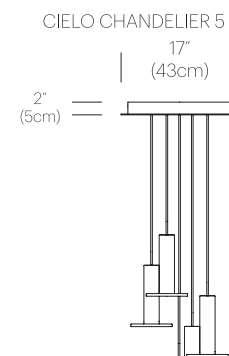
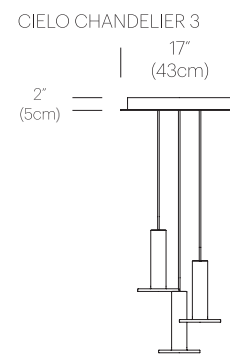


## FINISHES



## DIMENSIONS

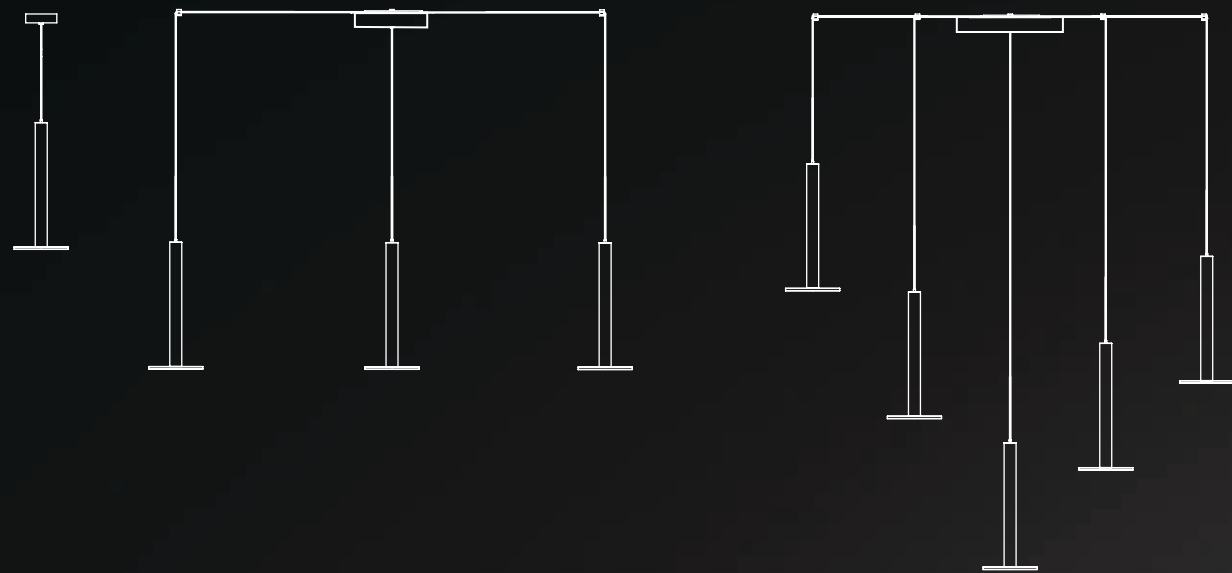
CIELO PLUS



# CIELO XL

The minimalist Cielo pendant Series is expanding to include the stunning new Cielo XL, a taller and slimmer design offering premium machined aluminum finishes and boasting a warm and brilliant 1200 lumen output. Cielo XL is scaled perfectly for hospitality and residential environments alike and can be suspended individually, in a series or as chandelier groupings to provide directional illumination that is both perfectly balanced and glare free. Cielo XL is fully dimmable and employs state of the art flat panel LED technology which is rated for up to 50K hours of use.

Designer:  
Pablo Studio 2018





# CIELO XL

## DESCRIPTION

The minimalist Cielo pendant Series is expanding to include the stunning new Cielo XL, a taller and slimmer design offering premium machined aluminum finishes and boasting a warm and brilliant 1200 lumen output. Cielo XL is scaled perfectly for hospitality and residential environments alike and can be suspended individually, in a series or as chandelier groupings to provide focused illumination that is both perfectly balanced and glare free. Cielo XL is fully dimmable and employs state of the art flat panel LED technology which is rated for up to 50K hours of use.

## FIXTURE TYPE

Pendant

## LIGHT SOURCE

LED Flat-Panel

## LIGHT CONTROL

Hard-wired, dimmable  
Compatible with TRIAC/ELV and 0-10V dimmers

## FEATURES

Energy efficient flat panel technology  
Fully Dimmable  
Glare-free illumination

## SPECIFICATIONS

Voltage: 120V, 240V, or 277V 50/60Hz  
Power Consumption: 18W  
Color Temperature: 2700K  
Luminosity: 1200 Lumens  
Luminaire efficacy: 67Lumens/Watt  
Color Rendition Index: 91 CRI  
50K hour lifespan  
Cable Length: 10' (3m) (Adjustable height)

## CERTIFICATIONS



## PRODUCT CODES

Cielo XL (Satin Aluminum):	CIEL XL SLV
Cielo XL (Polished Aluminum):	CIEL XL POL SLV
Cielo XL (Brass):	CIEL XL BRA
Cielo XL (Black):	CIEL XL BLK
Cielo XL (Gloss White):	CIEL XL WHT

## PACKAGING WEIGHT AND DIMENSIONS

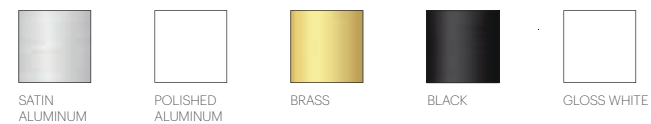
Cielo XL:	4.25LBS	8" X 8" X 19.5"
	2KG	20cm X 20cm X 49.5cm

## NOTES

Custom requests can be considered on volume orders  
0-10V dimming available upon request

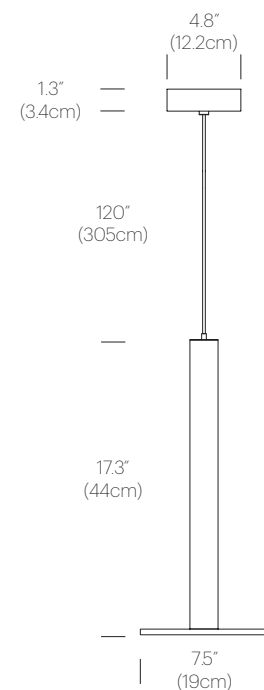


## FINISHES



## DIMENSIONS

CIELO XL



# CIELO XL MULTI-LIGHT

## DESCRIPTION



Cielo XL's stunning machined aluminum design can be suspended in a variety of unique custom arrangements with both round and linear canopy solutions. With Cielo XL Multi-Light, up to 9 lamps can be grouped together in a variety of mixed sizes to form impressive luminaire displays. Both size and shape of the grouping is controlled by lamp quantity and positioning relative to the Multi-Light canopy. Swag mounts are provided to extend the lights out into space along with an ample height adjustable cord length of 10' (304cm) to offer a wide range of unique custom configurations.

## FIXTURE TYPE

Pendant

## LIGHT SOURCE

LED Flat-Panel

CERTIFICATIONS  

## PRODUCT CODES

Multi-Light Canopy 9" (White):	CIEL XL CAN 9 WHT
Multi-Light Canopy 9" (Black):	CIEL XL CAN 9 BLK
Multi-Light Canopy 12" (White):	CIEL XL CAN 12 WHT
Multi-Light Canopy 12" (Black):	CIEL XL CAN 12 BLK

## PACKAGING WEIGHT AND DIMENSIONS

Multi-Light Canopy 9"	4.3LBS	12" X 12" X 6"
	2KG	30,5cm X 30,5cm X 15cm
Multi-Light Canopy 12"	6.6LBS	12" X 12" X 6"
	3KG	30,5cm X 30,5cm X 15cm

## NOTES

Custom requests can be considered on volume orders

CIELO XL Multi-Light Canopy  
Small (Ø9" OD) Up to 4



CIELO XL Multi-Light Canopy  
Large (Ø12" OD) 5 to 7



2, 3, 4, 5, 6... 7

## FINISHES



SATIN ALUMINUM



POLISHED ALUMINUM



BRASS



BLACK



GLOSS WHITE

## MULTI-LIGHT CANOPY



WHITE



BLACK

ROUND



LINEAR



## MULTI-LIGHT CANOPY DIMENSIONS



9"  
(22.8cm)



12"  
(30.5cm)

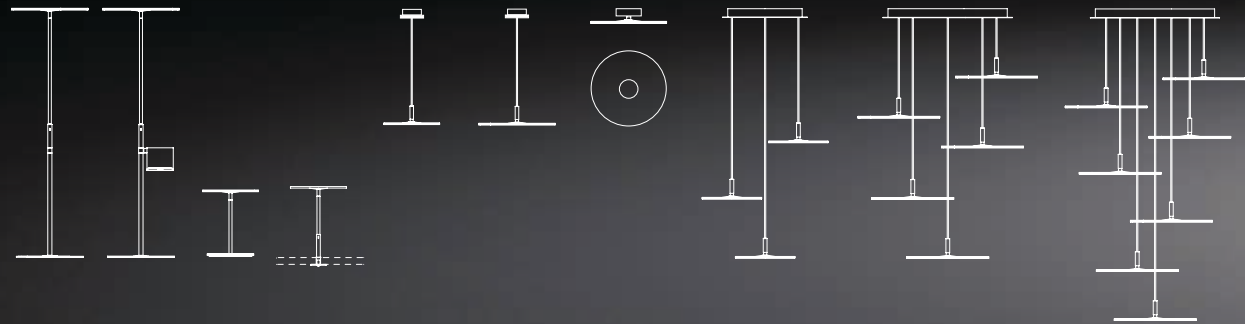


# CIRCA

In designing Circa, the Pablo Studio designers wanted to create a product that was revolutionary yet familiar. They not only created a new lamp, but also a new archetype for indoor lighting – one that blurs the boundary between the utilitarian work lamp and traditional shaded lamp. Circa's defining feature is a flat-panel LED disc that moves fluidly above its axis point. This mobility allows the lamp to assume an infinite number of positions while functioning as a task lamp that provides balanced, ambient light. Circa also supports a user's mobile devices by integrating a USB charging port on the table, grommet, and floor models.

Designer:  
Pablo Studio 2013

Awards:  
[2013 NY NOW Excellence in Product Design](#)



# CIRCA TABLE

## DESCRIPTION

Circa's revolutionary flat-panel LED light source combines seamless movement with warm and balanced illumination. Through its integrated USB charging port, 45° shade tilt and 360° rotation, Circa redefines the ambient lighting category. Circa is available in a wide range of models to satisfy all residential, office and hospitality applications.

## FIXTURE TYPE

Table

## LIGHT SOURCE

LED Flat-Panel

## LIGHT CONTROL

Full range dim control 100%-10% (optical switch)

## FEATURES

- 360° shade rotation
- 45° shade tilt in two directions
- USB-A charging port
- Ships flat-packed

## SPECIFICATIONS

- Voltage: 120V or 240V 50-60Hz
- Power Consumption: 8.7W
- Color temperature: 2700K
- Luminosity: 500 Lumens
- Luminaire efficacy: 57 Lumens/Watt
- Color Rendition Index: 90 CRI
- ADA compliant
- Title 20 compliant
- 50K hour lifespan
- Cable length: 8' (244cm)
- Global multi-plug adapter available

## CERTIFICATIONS



## PRODUCT CODES

Circa Table (Graphite):	CIRC-TBL-GPT
Circa Table (White):	CIRC-TBL-WHT
Circa Table Grommet (White):	CIRC-GROM-WHT
Circa Table Grommet (Graphite):	CIRC-GROM-GPT

## PACKAGING WEIGHT AND DIMENSIONS

Circa Table :	8.45LBS	15" X 14" X 4"
	3.8KGS	38cm X 36cm X 10cm

## NOTES

Custom requests can be considered on volume orders



## FINISHES



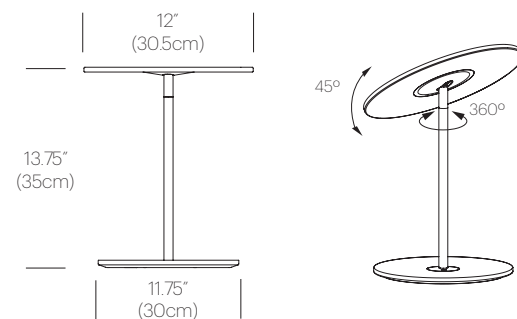
WHITE



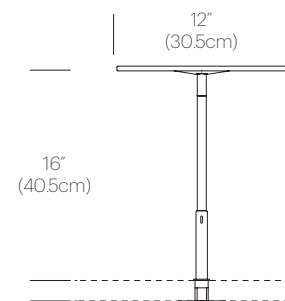
GRAPHITE

## DIMENSIONS

### CIRCA TABLE



### CIRCA GROMMET



SURFACE MOUNT AVAILABLE FOR  
118" (3cm), 2" (5cm) AND 3" (7.5cm)  
WORKSURFACES





# CIRCA FLOOR

## DESCRIPTION

Circa's revolutionary flat-panel LED light source combines seamless movement with warm and balanced illumination. Through its integrated USB charging port, 45° shade tilt and 360° rotation, Circa redefines the ambient lighting category. Circa is available in a wide range of models to satisfy all residential, office and hospitality applications.

## FIXTURE TYPE

Floor

## LIGHT SOURCE

LED Flat-Panel

## LIGHT CONTROL

Full range dim control 100%-10% (optical switch)

## FEATURES

- 360° shade rotation
- 45° shade tilt in two directions
- USB-A charging port
- Ships flat-packed

## SPECIFICATIONS

- Voltage: 120V or 240V 50-60Hz
- Power Consumption: 11.5W
- Color temperature: 2700K
- Luminosity: 800 Lumens
- Luminaire efficacy: 70 Lumens/Watt
- Color Rendition Index: 90 CRI
- ADA compliant
- Title 20 compliant
- 50K hour lifespan
- Cable length: 8' (244cm)
- Global multi-plug adapter available

## CERTIFICATIONS



## PRODUCT CODES

Circa Floor (Graphite):	CIRC FLR GPT
Circa Floor (White):	CIRC FLR WHT
Circa Floor+Ped. (Graphite):	CIRC FLR PED GPT
Circa Floor+Ped. (White):	CIRC FLR PED WHT

## PACKAGING WEIGHT AND DIMENSIONS

Circa Floor:	21.9LBS	29" X 18" X 3.5"
	9.9KGS	74cm X 46cm X 9cm
Circa Floor Pedestal:	2.85LBS	11" X 11" X 3"
	1.3KGS	28cm X 28cm X 8cm

## NOTES

Custom requests can be considered on volume orders



## FINISHES



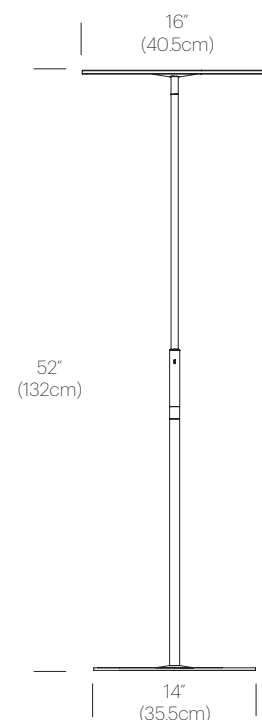
WHITE



GRAPHITE

## DIMENSIONS

CIRCA FLOOR



# CIRCA FLUSH

## DESCRIPTION

Circa's revolutionary flat-panel LED light source combines seamless movement with warm and balanced illumination. Circa is available in a wide range of models to satisfy all residential, office and hospitality applications.

## FIXTURE TYPE

Wall/Ceiling

## LIGHT SOURCE

LED Flat-Panel

## LIGHT CONTROL

Hard wired, dimmable  
Compatible with TRIAC and ELV dimmers  
0-10V dimming available upon request

## FEATURES

Ships flat-packed

## SPECIFICATIONS

Voltage: 120 or 240V 50/60Hz  
277V 50/60Hz available upon request  
Power Consumption: 10.5W  
Color temperature: 2700K  
Luminosity: 12"(500Lm), 16"(800 Lm)  
Luminaire efficacy: 76 Lumens/Watt  
Color Rendition Index: 90 CRI  
Title 20 compliant  
ADA compliant  
50K hour lifespan

## CERTIFICATIONS



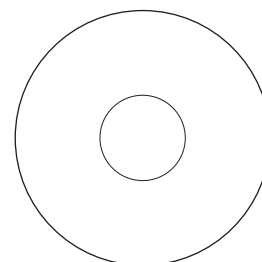
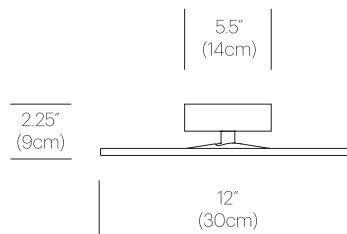
INDIRECT  
SPECIAL ORDER ONLY

## FINISHES

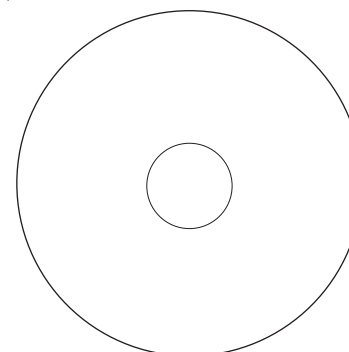
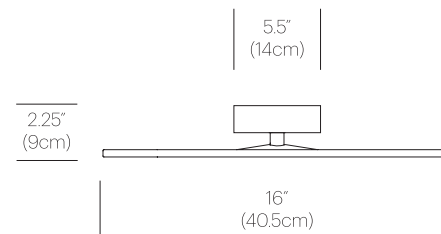


## DIMENSIONS

CIRCA FLUSH 12



CIRCA FLUSH 16



## PRODUCT CODES

Circa Flush Direct 12 Graphite:	Special order only
Circa Flush Direct 12 White:	CIRC FSH 12 WHT
Circa Flush Direct 16 Graphite:	Special order only
Circa Flush Direct 16 White:	CIRC FSH 16 WHT
Circa Flush Indirect 12 Graphite:	Special order only
Circa Flush Indirect 12 White:	Special order only
Circa Flush Indirect 16 Graphite:	Special order only
Circa Flush indirect 16 White:	Special order only

## PACKAGING WEIGHT AND DIMENSIONS

Circa Flush 12:	5.75LBS	15" X 14" X 4"
	2.6KGS	38cm X 36cm X 10cm
Circa Flush 16 :	9.05LBS	18.5" X 18" X 4"
	4.1KGS	47cm X 46cm X 10cm

## NOTES

Custom requests can be considered on volume orders



CIRCA FLUSH DIRECT



CIRCA FLUSH INDIRECT



# CIRCA PENDANT

## DESCRIPTION

Circa's revolutionary flat-panel LED light source combines seamless movement with warm and balanced illumination. Through its 45° shade tilt and 360° rotation, Circa redefines the ambient lighting category. Circa is available in a wide range of models to satisfy all residential, office and hospitality applications.

## FIXTURE TYPE

Pendant

## LIGHT SOURCE

LED Flat-Panel

## LIGHT CONTROL

Hard wired, dimmable  
Compatible with TRIAC and ELV dimmers  
0-10V dimming available upon request

## FEATURES

360° shade rotation  
45° shade tilt in two directions  
Ships flat-packed

## SPECIFICATIONS

Voltage: 120 or 240V 50-60Hz  
Power Consumption: 10.5W  
Color temperature: 2700K  
Luminosity: 12"(500Lm), 16"(800 Lm)  
Luminaire efficacy: 76 Lumens/Watt  
Color Rendition Index: 90 CRI  
Title 20 compliant  
50K hour lifespan  
Cable length: 10' (305cm) (Field Cuttable)

## CERTIFICATIONS



## FINISHES



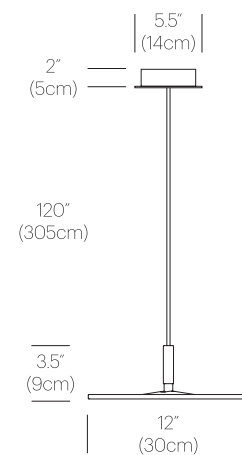
WHITE



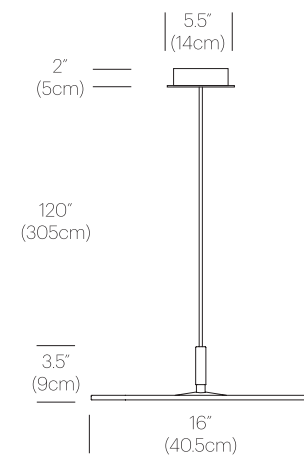
GRAPHITE

## DIMENSIONS

CIRCA PENDANT 12



CIRCA PENDANT 16



## PRODUCT CODES

Circa Pendant 12 Graphite:	CIRC PND 12 GPT
Circa Pendant 12 White:	CIRC PND 12 WHT
Circa Pendant 16 Graphite:	CIRC PND 16 GPT
Circa Pendant 16 White:	CIRC PND 16 WHT

## PACKAGING WEIGHT AND DIMENSIONS

Circa Pendant 12:	5.75LBS	15" X 14" X 4"
	2.6KGS	38cm X 36cm X 10cm
Circa Pendant 16 :	9.05LBS	18.5" X 18" X 4"
	4.1KGS	47cm X 46cm X 10cm

## NOTES

Custom requests can be considered on volume orders



# CIRCA CHANDELIER

## DESCRIPTION

Circa's revolutionary flat-panel LED light source combines seamless movement with warm and balanced illumination. Through its 45° shade tilt and 360° rotation, Circa redefines the ambient lighting category. Circa Chandelier is available in 3, 5, and 7 lamp configurations to fit a wide range of commercial and residential environments.

## FIXTURE TYPE

Pendant

## LIGHT SOURCE

LED Flat-Panel

## LIGHT CONTROL

Hard wired, dimmable  
Compatible with TRIAC and ELV dimmers  
0-10V dimming available upon request

## FEATURES

360° shade rotation  
45° shade tilt in two directions  
Ships flat-packed

## SPECIFICATIONS

Voltage: 120 or 240V 50-60Hz  
Power Consumption: 10.5W per lamp  
Color temperature: 2700K  
Luminosity: 12"(500Lm), 16"(800 Lm) per lamp  
Luminaire efficacy: 76 Lumens/Watt  
Color Rendition Index: 90 CRI  
Title 20 compliant  
50K hour lifespan  
Cable length: 10' (305cm) (Field Cuttable)

## CERTIFICATIONS



## PRODUCT CODES

Circa Pendant 12 Graphite:	CIRC PND 12 GPT
Circa Pendant 12 White:	CIRC PND 12 WHT
Circa Pendant 16 Graphite:	CIRC PND 16 GPT
Circa Pendant 16 White:	CIRC PND 16 WHT
17" Chandelier Canopy:	CHND CAN 17
26" Chandelier Canopy:	CHND CAN 26

## PACKAGING WEIGHT AND DIMENSIONS

Circa Pendant 12:	5.75LBS	15" X 14" X 4"
	2.6KGS	38cm X 36cm X 10cm
Circa Pendant 16 :	9.05LBS	18.5" X 18" X 4"
	4.1KGS	47cm X 46cm X 10cm
Chandelier canopy 17":	15LBS	22" X 22" X 6"
	6.8KGS	56cm X 56cm X 15cm
Chandelier canopy 26":	30LBS	32" X 32" X 6"
	13.6KGS	81cm X 81cm X 15cm

## NOTES

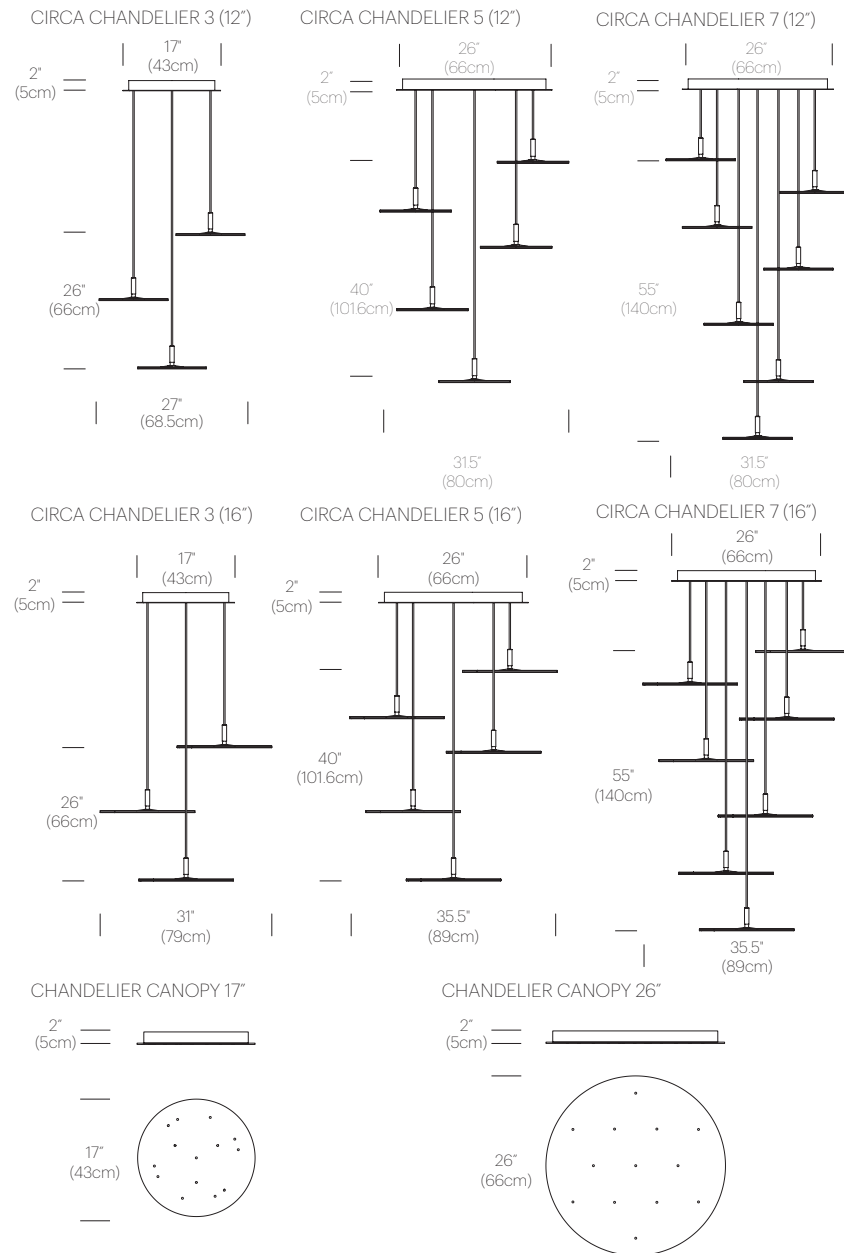
Custom requests can be considered on volume orders



## FINISHES



## DIMENSIONS

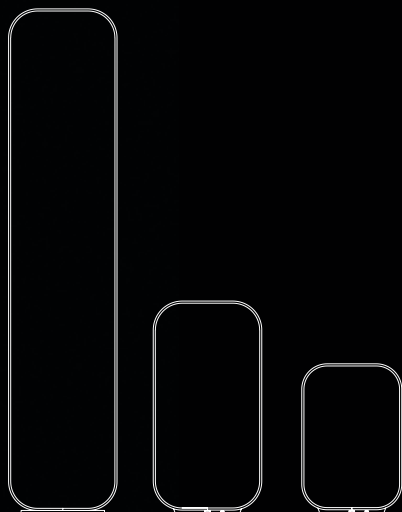




# CONTOUR

Contour's revealing and elegant open framed architecture captures warm LED illumination within a remarkably slender extruded aluminum structure. Intelligent and highly efficient, Contour's minimalist design has been refined to the bare essentials, creating a rich interior space for your personal belongings while providing an unobstructed view of its surroundings. Contour's premium wood interiors provide an inviting resting place for your books, precious objects, or for charging your mobile devices with its integrated USB-A port.

Designer:  
Pablo Studio 2015



# CONTOUR TABLE

## DESCRIPTION

Contour's revealing and elegant open framed architecture captures warm LED illumination within a remarkably slender extruded aluminum structure. Intelligent and highly efficient, Contour's minimalist design has been refined to the bare essentials, creating a rich interior space for your personal belongings while providing an unobstructed view of its surroundings. Contour's premium wood and woven fabric interiors provide an inviting resting place for your books, precious objects, or for charging your mobile devices with its integrated USB port.

## FIXTURE TYPE

Table

## LIGHT SOURCE

(60x) High output LED array

## LIGHT CONTROL

Full range dim control

## FEATURES

Glare-free illumination  
USB charging port

## SPECIFICATIONS

Voltage: 120-240V 50-60Hz  
Power Consumption: 8W MAX  
Color temperature: 3000K  
Luminosity: 780 Lumens  
Luminaire efficacy: 98 Lumens/Watt  
Color Rendition Index: 80+ CRI  
50K hour lifespan  
Cable length: 8' (244cm)  
Global multi-plug adapter available  
Patent number: D774,239

## CERTIFICATIONS



## PRODUCT CODES

Contour Table SM White/White Oak	CONT SML WHT/OAK
Contour Table SM White/Walnut	CONT SML WHT/WAL
Contour Table SM White/Pearl	CONT SML WHT/PEARL
Contour Table SM Graphite/White Oak	CONT SML GPT/OAK
Contour Table SM Graphite/Walnut	CONT SML GPT/WAL
Contour Table SM Graphite/Coal	CONT SML GPT/COAL
Contour Table LG White/White Oak	CONT LRG WHT/OAK
Contour Table LG White/Walnut	CONT LRG WHT/WAL
Contour Table LG White/Pearl	CONT LRG WHT/PEARL
Contour Table LG Graphite/White Oak	CONT LRG GPT/OAK
Contour Table LG Graphite/Walnut	CONT LRG GPT/WAL
Contour Table LG Graphite/Coal	CONT LRG GPT/COAL

## PACKAGING WEIGHT AND DIMENSIONS

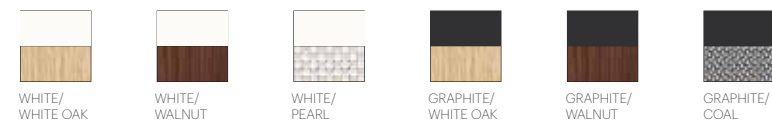
CONTOUR TABLE SM:	11LBS 17.5" X 12" X 6"
	5KGS 44.5cm X 30cm X 15cm
CONTOUR TABLE LG:	13LBS 25" X 13" X 6"
	6KGS 63.5cm X 33cm X 15cm

## NOTES

Custom requests can be considered on volume orders



## FINISHES



## DIMENSIONS

TABLE SM

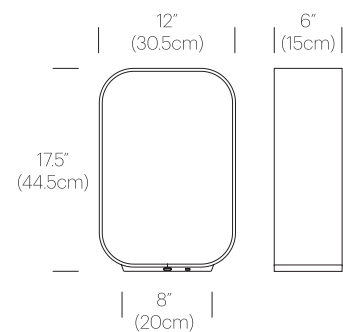
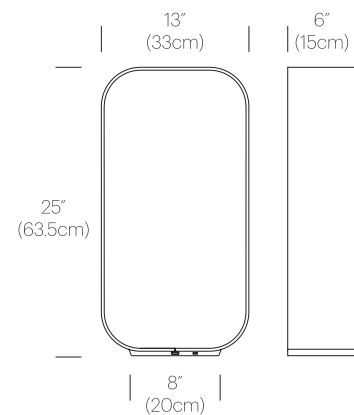


TABLE LG





# CONTOUR FLOOR

## DESCRIPTION

Contour's revealing and elegant open framed architecture captures warm LED illumination within a remarkably slender extruded aluminum structure. Intelligent and highly efficient, Contour's minimalist design has been refined to the bare essentials, creating a rich interior space for your personal belongings while providing an unobstructed view of its surroundings. Contour's premium wood interiors provide an inviting resting place for your books, precious objects.

## FIXTURE TYPE

Floor

## LIGHT SOURCE

(60x) High output LED array

## LIGHT CONTROL

Full range dim control (in-line floor dimmer)

## FEATURES

Glare-free illumination

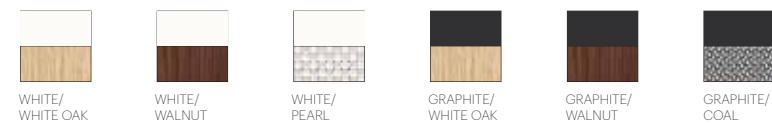
## SPECIFICATIONS

Voltage: 120-240V 50-60Hz  
 Power Consumption: 21.5W MAX  
 Color temperature: 3000K  
 Luminosity: 1800 Lumens  
 Luminaire efficacy: 84 Lumens/Watt  
 Color Rendition Index: 90+ CRI  
 50K hour lifespan  
 Cable length: 9' (274cm)  
 Global multi-plug adapter available  
 Patent number: D774,239

## CERTIFICATIONS

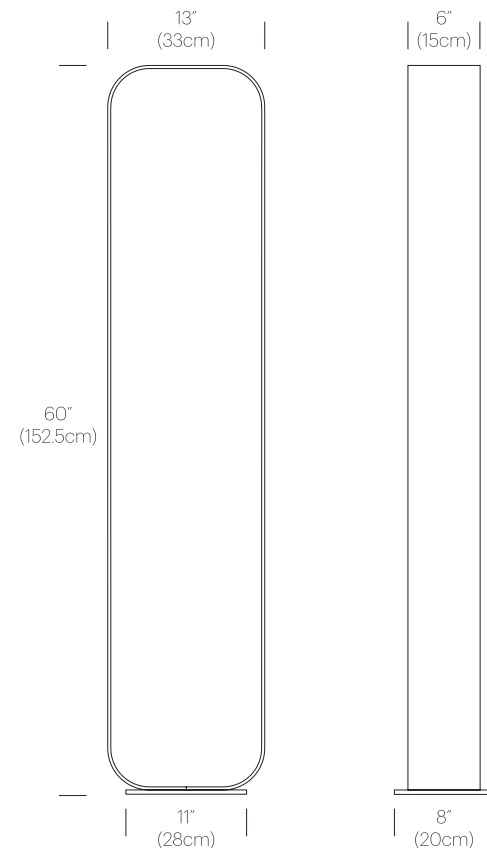


## FINISHES



## DIMENSIONS

FLOOR



## PRODUCT CODES

Contour Floor White/White Oak:	CONT FLR WHT/OAK
Contour Floor White/Walnut:	CONT FLR WHT/WAL
Contour Floor White/Pearl:	CONT FLR WHT/PEARL
Contour Floor Graphite/White Oak:	CONT FLR GPT/OAK
Contour Floor Graphite/Walnut:	CONT FLR GPT/WAL
Contour Floor Graphite/Coal:	CONT FLR GPT/COAL

## PACKAGING WEIGHT AND DIMENSIONS

CONTOUR FLOOR: 30LBS	60" X 13" X 6"
14KGS	152.5cm X 13cm X 15cm

## NOTES

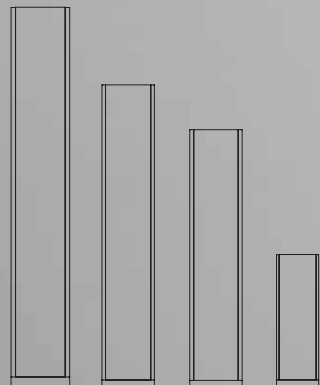
Custom requests can be considered on volume orders



# CORTINA

In conceiving of Cortina, designer Pablo Pardo sought to create a light that would assert its presence but seamlessly complement a variety of surroundings. What he built is a stoic, sculptural luminaire that emits a seductive light through its transparent and diffused surfaces. Cortina's monolithic form factor creates a noble light that mimics its architectural surroundings. Fluidly dimmable, the piece is comprised of a clear acrylic shade and a translucent fabric diffuser to shield the upward-facing light source. Cortina is available in heights ranging from 24" to 72".

Designer:  
Pablo Pardo 2000-2004





# CORTINA TABLE


## DESCRIPTION

The timeless Cortina lamp is architectural simplicity. Its stoic clear acrylic shade features a sensual translucent mesh fabric diffuser to shield the lamp's dimmable light source. Cortina allows you to set any mood depending on the moment.

## FIXTURE TYPE

Table

## LIGHT SOURCE

US	
Brand: SunLight2	
7W LED	
3000K	
E26/PAR20	
650Lm	

## LIGHT CONTROL

Full range dim (in-line rotary dimmer)

## FEATURES

Multiple sizes for a variety of applications

## SPECIFICATIONS

Voltage: 120V or 240V  
Cable length: 6' (182cm)

## CERTIFICATIONS

UL listed components



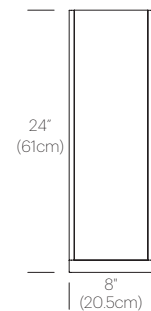
## FINISHES



CLEAR/  
WHITE

## DIMENSIONS

CORTINA 24



## PRODUCT CODES

Cortina 24: CORT 24

## PACKAGING WEIGHT AND DIMENSIONS

Cortina 24: 14LBS 13.5" X 10" X 4.5"  
6.4KGS 34cm X 25cm X 11cm

## NOTES

Floor mounting solutions available upon request  
Custom requests can be considered on volume orders



# CORTINA FLOOR


## DESCRIPTION

The timeless Cortina lamp is architectural simplicity. Its stoic clear acrylic shade features a sensual translucent mesh fabric diffuser to shield the lamp's dimmable light source. Cortina allows you to set any mood depending on the moment.

## FIXTURE TYPE

Floor

## LIGHT SOURCE

US	
Brand: SunLight2	
7W LED	
3000K	
E26/PAR20 650Lm	

## LIGHT CONTROL

Full range dim (in-line rotary dimmer)

## FEATURES

Multiple sizes for a variety of applications

## SPECIFICATIONS

Voltage: 120V or 240V  
Cable length: 6' (182cm)

## CERTIFICATIONS

UL listed components



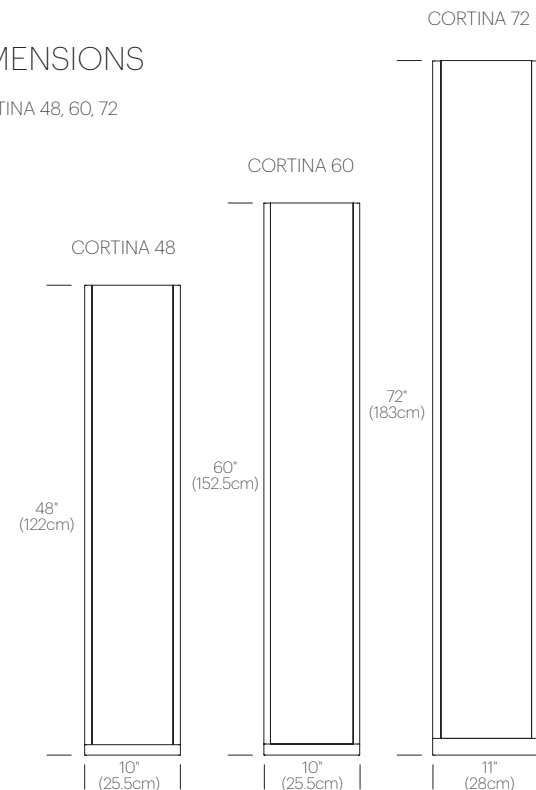
## FINISHES



CLEAR/  
WHITE

## DIMENSIONS

CORTINA 48, 60, 72



## PRODUCT CODES

Cortina 48:	CORT 48
Cortina 60:	CORT 60
Cortina 72:	CORT 72

## PACKAGING WEIGHT AND DIMENSIONS

Cortina 48:	24.6LBS	58" X 13" X 6.5"
	11.2KGS	147cm X 33cm X 17cm
Cortina 60:	25LBS	68" X 3" X 6.5"
	11.3KGS	173cm X 8cm X 17cm
Cortina 72:	44LBS	82.5" X 14" X 7.5"
	20KGS	210cm X 36cm X 19cm

## NOTES

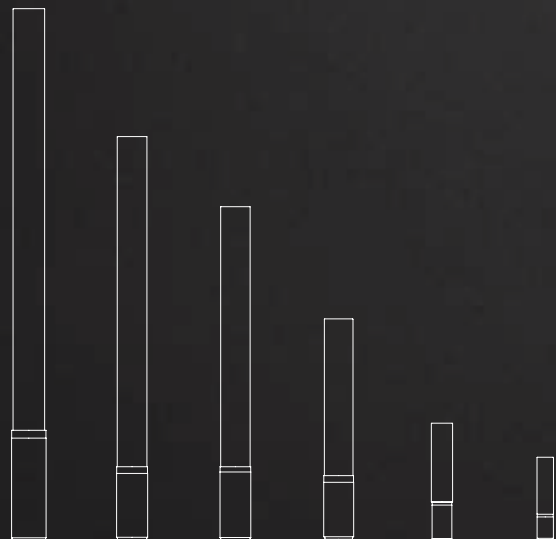
Custom requests can be considered on volume orders



# ELISE

Elise is a conceptual tribute to the machine age: streamlined, understated, and honest in its function as a light source. Celebrating the most classic of industrial forms, the cylinder, two elements compose the lamp: a refined aluminum or marble base conceals the light source, providing ample ballast, while its towering frosted acrylic diffuser becomes a beacon of light. Its confident, geometric simplicity enables it to comfortably inhabit a diversity of spaces. Elise offers a full dimming range and is available in heights ranging from 12" to 80".

Designer:  
Pablo Pardo 1998/2019



# ELISE TABLE

## DESCRIPTION

The timeless Elise lamp pays tribute to the advent of the machine age. Its refined machined aluminum base combined with its towering frosted acrylic diffuser serves as the perfect combination for elegant lighting. Elise features full-range dimming capability to set the mood in any setting.

## FIXTURE TYPE

Table

## LIGHT SOURCE

US	
Brand:	<b>SATCO</b>
8W LED	
2700K	
E26/BT-15	
800Lm	

## LIGHT CONTROL

Full range dim (in-line rotary dimmer)

## SPECIFICATIONS

Voltage: 120V or 240V  
 Cable length: 6' (182cm)  
 Color Rendition Index: 90 CRI

## CERTIFICATIONS

UL listed components



## FINISHES

### ALUMINUM BASE



FROSTED WHITE/  
SILVER



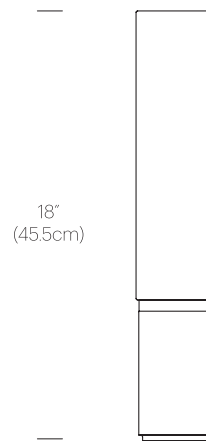
FROSTED WHITE/  
BRASS



FROSTED WHITE/  
BLACK

## DIMENSIONS

ELISE 18



## PRODUCT CODES

Elise 18 (Black):	ELIS 18 BLK
Elise 18 (Brass):	ELIS 18 BRA
Elise 18 (Silver):	ELIS 18 SLV

## PACKAGING WEIGHT AND DIMENSIONS

Elise 18:	3.3LBS	18.5" X 5" X 4"
	1.5KGS	47cm X 13cm X 10cm

## NOTES

Custom requests can be considered on volume orders





# ELISE FLOOR

## DESCRIPTION

The timeless Elise lamp pays tribute to the advent of the machine age. Its refined machined aluminum base combined with its towering frosted acrylic diffuser serves as the perfect combination for elegant lighting. Elise features full-range dimming capability to set the mood in any environment.

## FIXTURE TYPE

Floor

## LIGHT SOURCE

ELISE 32,42,60

US	EU
Brand: GREENCREATIVE	Brand: PHILIPS
11W LED	9.5W LED
2700K	2700K
E26/PAR30	E27/PAR30
950Lm	650Lm

## ELISE 80

US	EU
Brand: GREENCREATIVE	Brand: PHILIPS
15.5W LED	13W LED
2700K	2700K
E26/PAR38	E27/PAR38
1320Lm	875Lm

## LIGHT CONTROL

Full range dim (in-line slide dimmer)

## SPECIFICATIONS

Voltage: 120V or 240V  
Cable length: 6' (182cm)  
Color Rendition Index: 90 CRI

## CERTIFICATIONS

UL listed component



## PRODUCT CODES (ENTER BASE SIZE IN BLANK SPACE)

Elise (Silver):	ELIS _SLV
Elise (Black):	ELIS _BLK
Elise (Brass):	ELIS _BRA
Elise (White Marble):	ELIS _WMB
Elise (Black Marble):	ELIS _BMB

## PACKAGING WEIGHT AND DIMENSIONS

Elise 32:	8.95LBS 4.1KGS	32.5" X 6" X 6" 83cm X 15cm X 15cm
Elise 48:	11.05LBS 5KGS	53" X 6" X 6" 135cm X 15cm X 15cm
Elise 60:	12.2LBS 5.5KGS	68" X 6" X 6" 173cm X 15cm X 15cm
Elise 80 Base:	13.1LBS 5.9KGS	20" X 7" X 7" 51cm X 18cm X 18cm
Elise 80 Shade:	7.45LBS 3.4KGS	68" X 6" X 6" 173cm X 15cm X 15cm

## NOTES

Custom requests can be considered on volume orders

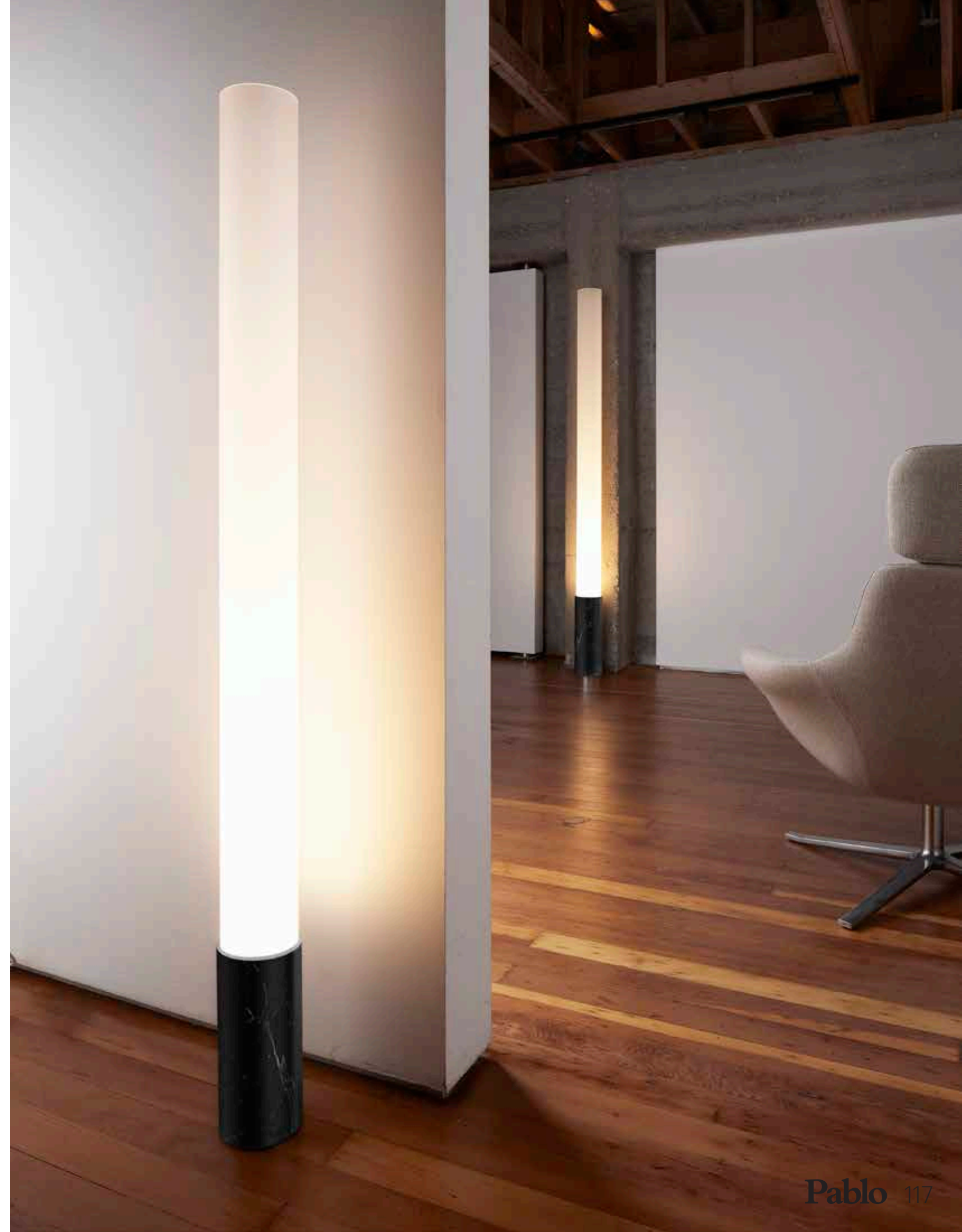
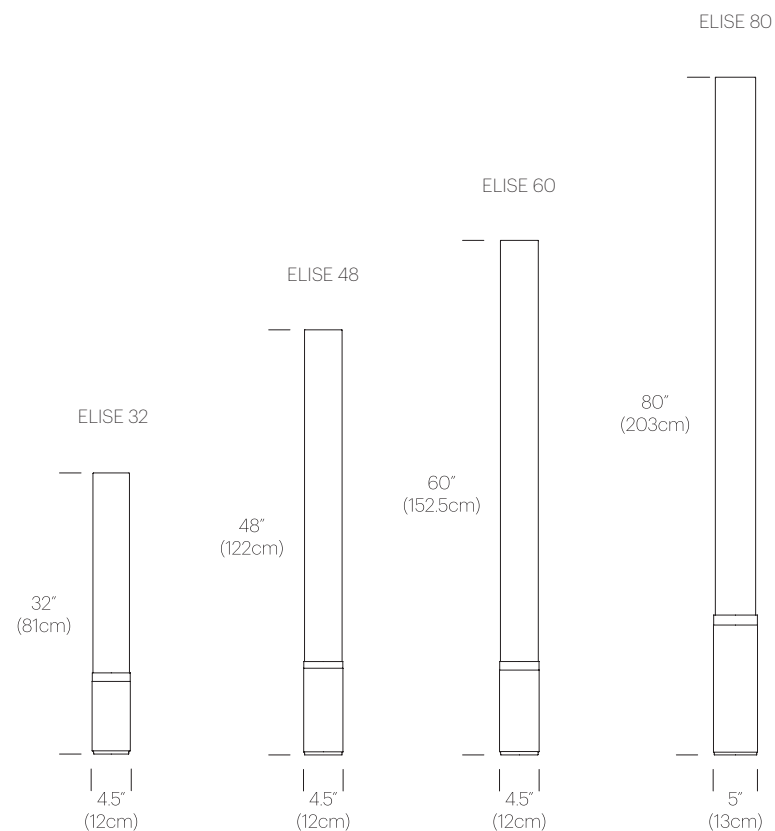


## FINISHES

### ALUMINUM BASE



## DIMENSIONS



# LIM360 | LIM

A study in reductionism, LIM is not so much a lamp as it is a conduit of light. Its minimalist form shapes a plane of illumination powered by an equally minimalist light source — a continuous array of high-output, energy-efficient LEDs discreetly concealed in its armature. Along with a slim, rotatable arm that enables the user to redirect the light, LIM employs a magnetic attachment system that makes it effortlessly portable and adjustable. LIM is available in up to five different form factors enabling tabletop, floor, and undersurface mount applications.

Designer:

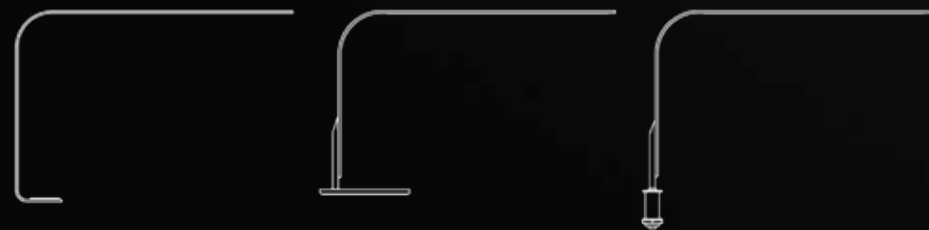
LIM: Pablo Pardo 2009

LIM360: Pablo Studio 2012

Awards:

2010 iF Product Design Award

2009 Best of Neocon Silver Award





# LIM360 TABLE

## DESCRIPTION

LIM360 is an inspiringly simple and intelligently functional task lamp. Combining seamless movement with the most advanced LED technology and an integrated USB port for charging mobile devices, LIM360 brings thoughtful design to the forefront. Available in a range of sophisticated neutrals and expressive colors, LIM360 will elevate any environment.

## FIXTURE TYPE

Table

## LIGHT SOURCE

(91x) High-output LED array

## LIGHT CONTROL

Full range dim control 100%-10% (optical switch)

## FEATURES

- 360° arm rotation
- Advanced LED array eliminates multiple shadow
- USB-A charging port
- Ships flat-packed
- Removable insert
- OCC model available upon request

## SPECIFICATIONS

- Voltage: 120-240V 50-60Hz
- Power consumption: 7W
- Color temperature: 3000K
- Luminosity: 325 Lumens
- Luminaire efficacy: 46 Lumens/Watt
- Color Rendition Index: 90+ CRI
- 50K Hour lifespan
- Cable length: 10' (304cm)
- Global multi-plug adapter available

## CERTIFICATIONS



## PRODUCT CODES

LIM 360 White/Silver:	LIM 360 WHT/SLV OPT
LIM 360 White/Walnut:	LIM 360 WHT/WAL OPT
LIM 360 Black/Black:	LIM 360 BLK/BLK OPT
LIM 360 Black/Walnut:	LIM 360 BLK/WAL OPT
LIM 360 Surface Mount:	Special Order only

## PACKAGING WEIGHT AND DIMENSIONS

LIM360:	4.9LBS	25.5" X 10" X 2.5"
	2.2KGS	65cm X 25cm X 6cm

## NOTES

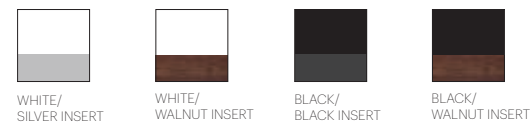
Occupancy sensor model available upon request

120 **Pablo**

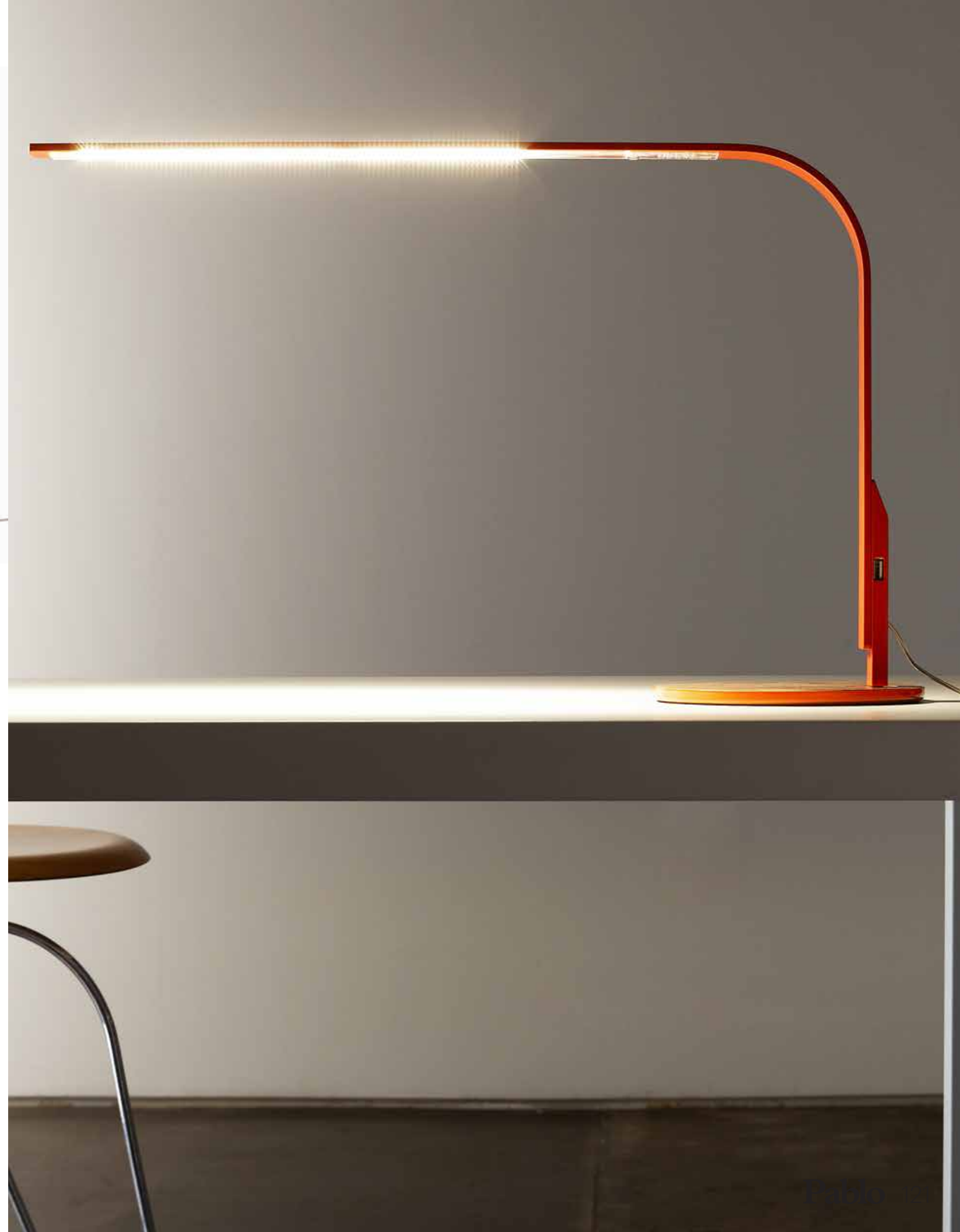
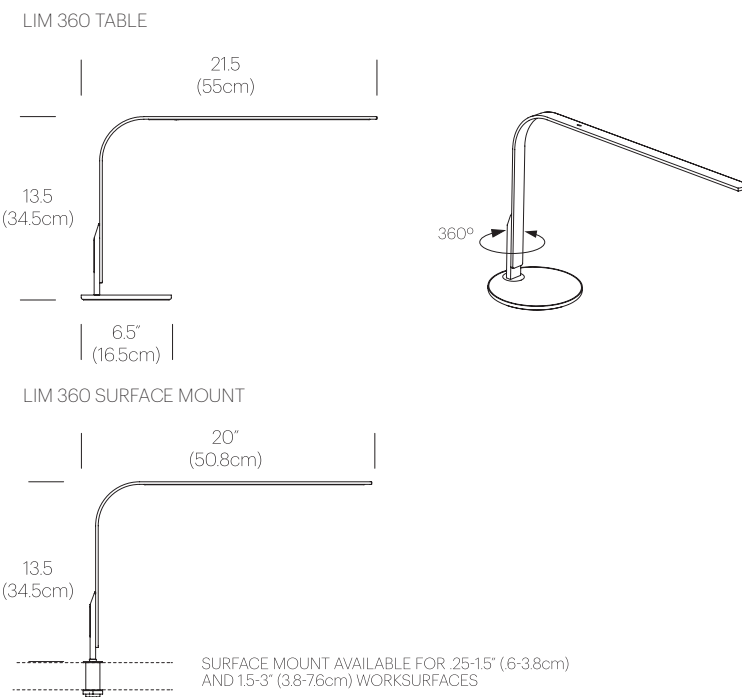
AVAILABLE GLOBALLY



## FINISHES



## DIMENSIONS



# LIM TABLE

## DESCRIPTION

LIM is a revolutionary ultra-slim LED task light that is as fun to use as it is functional. LIM's "L" shaped arm discreetly conceals an array of high-output LEDs and utilizes a magnetic attachment system for effortless adjustment. LIM is available in four models: LIM table, LIM floor, LIM360 and LIM C under-surface.

## FIXTURE TYPE

Table

## LIGHT SOURCE

(91x) High-output LED array

## LIGHT CONTROL

Full range dim control 100%-10% (optical switch)

## FEATURES

- Magnetic attachment
- Advanced LED array eliminates multiple shadows
- Ships flat-packed
- OCC model available upon request

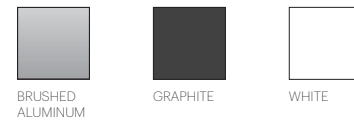
## SPECIFICATIONS

- Voltage: 120-240V 50-60Hz
- Power consumption: 7W
- Color temperature: 3000K
- Luminosity: 325 Lumens
- Luminaire efficacy: 46 Lumens/Watt
- Color Rendition Index: 90+ CRI
- 50K Hour lifespan
- Cable length: 10' (304cm)
- Global multi-plug adapter available

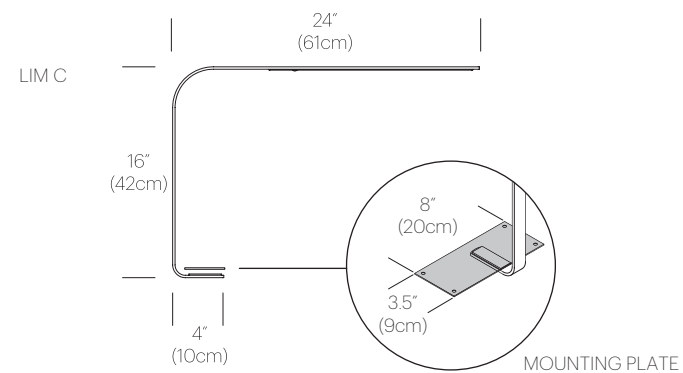
## CERTIFICATIONS



## FINISHES



## DIMENSIONS



## PRODUCT CODES

LIM L Table White:	LIM L TBL WHT
LIM C Brushed Silver:	LIM C SLV
LIM C Black:	LIM C BLK
LIM C White:	LIM C WHT

## PACKAGING WEIGHT AND DIMENSIONS

LIM:	8.95LBS	25.5" X 13.5" X 2.5"
	4.1KGS	65cm X 34cm X 6cm

## NOTES

Occupancy sensor model available upon request  
 Custom requests can be considered on volume orders



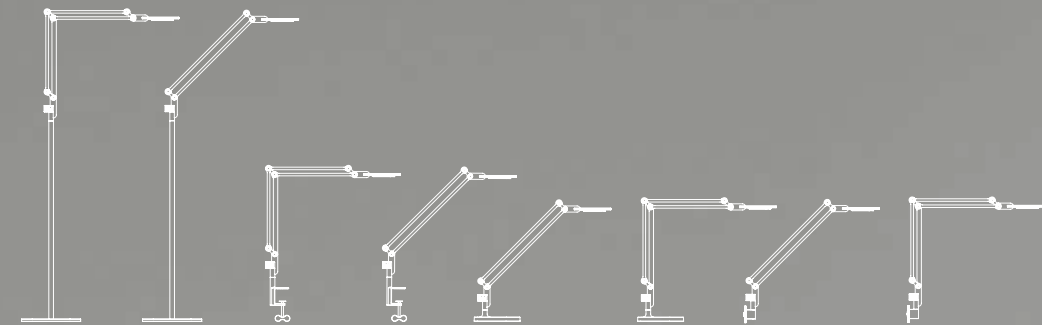


# LINK

Link modernizes the classic pantograph task lamp, incorporating the most advanced LED lighting technology to date. Designed with a dual-purpose shade/handle, Link seamlessly balances performance and style to satisfy focused lighting needs in any environment. The wide range of Link models include medium and small table, floor, clamp, and wall mount options to accommodate all residential, office, and hospitality task lighting applications.

Designer:  
Peter Stathis 2008/2009

Awards:  
2009 IDEA Silver Award  
2009 I.D Annual Design Review Honoree  
2009 Spark Design Award  
2008 ICFF Editor's Choice Award



# LINK TABLE

## DESCRIPTION

Link modernizes the classic pantograph task lamp, incorporating the most advanced LED lighting technology to date. Designed with a dual-purpose shade/handle, Link seamlessly balances performance and style to satisfy focused lighting needs in any environment. The wide range of Link models include medium and small table, floor, clamp, and wall mount options to accommodate all residential, office, and hospitality task lighting applications.

## FIXTURE TYPE

Table

## LIGHT SOURCE

(99x) High-output LED array

## LIGHT CONTROL

Rocker switch (high, low, off)

## FEATURES

- 360° rotation at base
- Full-range height adjustability
- 180° front to back head tilt
- Advanced LED array eliminates multiple shadows
- Ships flat-packed
- OCC model available upon request

## SPECIFICATIONS

- Voltage: 120-240V 50-60Hz
- Power Consumption: 7.5W
- Color Temperature: 3000K
- Luminosity: 350 Lumens
- Luminaire efficacy: 47 Lumens/Watt
- Color Rendition Index: 90 CRI
- 50K hour lifespan
- Cable length: 8' (244cm)
- Global multi-plug adapter available

## CERTIFICATIONS

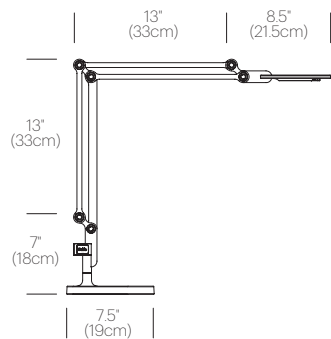


## FINISHES

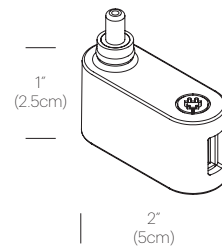


## DIMENSIONS

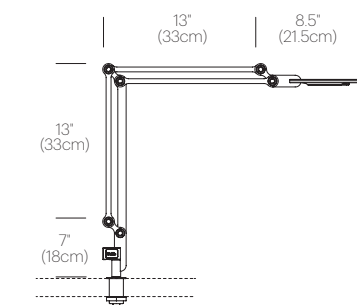
LINK MEDIUM TABLE



LINK USB PORT ADD-ON



LINK MEDIUM SURFACE MOUNT



SURFACE MOUNT AVAILABLE FOR 2-12" (5-3cm) AND 12-3" (3-76cm) WORKSURFACES

## PRODUCT CODES

Link Medium Table (Silver):	LINK MED TBL SLV
Link Medium Table (White):	LINK MED TBL WHT
Link Medium Table (Black):	LINK MED TBL BLK
Link USB (White):	LINK USB
Link Medium Surface Mount:	Special order only

## PACKAGING WEIGHT AND DIMENSIONS

Link Medium:	3.25LBS	33" X 6.5" X 4.5"
	1.5KGS	84cm X 17cm X 11cm
Link Table Base:	7.65LBS	12.5" X 12" X 4"
	3.5KGS	32cm X 30cm X 10cm

## NOTES

- Occupancy sensor model available upon request
- Custom requests can be considered on volume orders
- Link USB sold separately





# LINK FLOOR

## DESCRIPTION

Link modernizes the classic pantograph task lamp, incorporating the most advanced LED lighting technology to date. Designed with a dual-purpose shade/handle, Link seamlessly balances performance and style to satisfy focused lighting needs in any environment. The wide range of Link models include medium and small table, floor, clamp, and wall mount options to accommodate all residential, office, and hospitality task lighting applications.

## FIXTURE TYPE

Floor

## LIGHT SOURCE

(99x) High-output LED array

## LIGHT CONTROL

Rocker switch (high, low, off)

## FEATURES

- 360° rotation at base
- Full-range height adjustability
- 180° front to back head tilt
- Advanced LED array eliminates multiple shadows
- Ships flat-packed
- OCC model available upon request

## SPECIFICATIONS

- Voltage: 120-240V 50-60Hz
- Power Consumption: 7.5W
- Color Temperature: 3000K
- Luminosity: 350 Lumens
- Luminaire efficacy: 47 Lumens/Watt
- Color Rendition Index: 90 CRI
- 50K hour lifespan
- Cable length: 8' (244cm)
- Global multi-plug adapter available

## CERTIFICATIONS

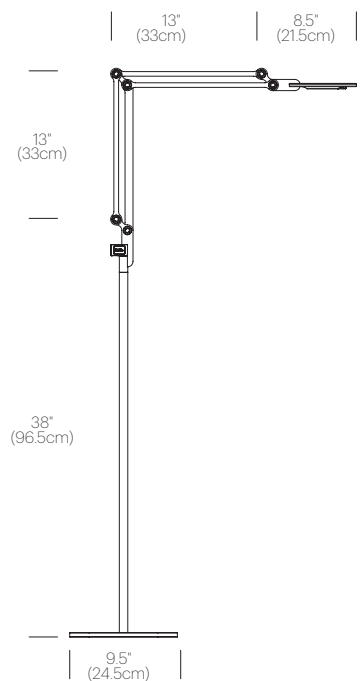


## FINISHES

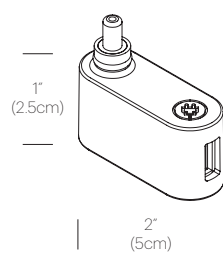


## DIMENSIONS

### LINK MEDIUM FLOOR



### LINK USB PORT ADD-ON



## PRODUCT CODES

Link Medium Floor (Silver):	LINK MED FLR SLV
Link Medium Floor (White):	LINK MED FLR WHT
Link Medium Floor (Black):	LINK MED FLR BLK
Link USB (White)	LINK USB

## PACKAGING WEIGHT AND DIMENSIONS

Link Medium:	3.25LBS	33" X 6.5" X 4.5"
	1.5KGS	84cm X 17cm X 11cm
Link Floor Base:	10.1LBS	12.5" X 12" X 1.5"
	4.6KGS	32cm X 30cm X 4cm

## NOTES

Occupancy sensor model available upon request  
Custom requests can be considered on volume orders





# LUCI

Luci is a fully rechargeable portable luminaire that allows you to take your ambiance wherever you go indoors and out. Defined by its simplicity of form and high tactile feel, Luci features an all-machined aluminum body that's premium to the touch and brings elegance to any intimate moment or social gathering. Representing the future of illumination, Luci features state of the art Warm Dim light technology with 3 preset light level plus full range dimming which are activated via optical switch atop the shade. Luci also boasts a best-in-class battery life to provide many hours of untethered illumination between charges. Available in both table and floor standing models, Luci is offered in three anodized machine trace finishes in Silver, Brass, Black and a painted textured Matte White.

Designer:  
Pablo Pardo + Pablo Studio 2021



# LUCI TABLE

## DESCRIPTION

Luci is a fully rechargeable portable luminaire that allows you to take your ambiance wherever you go indoors and out. Defined by its simplicity of form and high tactile feel, Luci features an all-machined aluminum body that's premium to the touch and brings elegance to any intimate moment or social gathering. Representing the future of illumination, Luci features state of the art Dim to Warm light technology with 3 preset light level plus full range dimming which are activated via optical switch atop the shade. Luci also boasts a best-in-class battery life to provide many hours of untethered illumination between charges. Luci Table is recharged via USB-C charging port located on the base. Available in both table and floor standing models, Luci is offered in three anodized machine trace finishes in Silver, Brass, Black and a painted textured Matte White.

## FIXTURE TYPE

Table

## LIGHT SOURCE

Flat Panel LED

## LIGHT CONTROL

Optical switch

Full range dimming (100-10%)

3-stage dimming (100/40/10%)

## FEATURES

Portable and rechargeable

18-180 hr Battery life

## SPECIFICATIONS

Power Consumption: 2.1W

Color Temperature: 2700K - 2200K (Warm dim)

Luminosity: 135 Lumens

Luminaire efficacy: 64 Lumens/Watt

Color Rendition Index: 90+ CRI

Cable Length: 6' (182cm)(included)

IP Rating: IP20. IP54 Available upon request

## CERTIFICATIONS



## PRODUCT CODES

Luci Table (White Painted):	LUCI TBL WHT
Luci Table (Silver Anodized):	LUCI TBL SLV
Luci Table (Black Anodized):	LUCI TBL BLK
Luci Table (Brass Anodized):	LUCI TBL BRA

## PACKAGING WEIGHT AND DIMENSIONS

Luci Table:	2.5LBS	5.5" X 5.5" X 11.5"
	1.1KG	14cm X 14cm X 30cm

## NOTES

Custom requests can be considered on volume orders



## FINISHES

LUCI TABLE



BLACK



WHITE



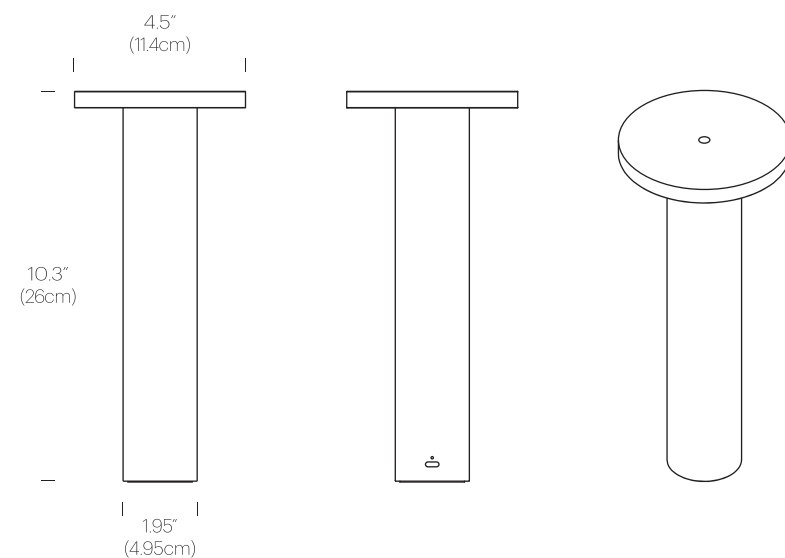
SILVER



BRASS

## DIMENSIONS

LUCI TABLE





# LUCI FLOOR

## DESCRIPTION

Luci is a fully rechargeable portable luminaire that allows you to take your ambiance wherever you go indoors and out. Defined by its simplicity of form and high tactile feel, Luci features an all-machined aluminum body that's premium to the touch and brings elegance to any intimate moment or social gathering. Representing the future of illumination, Luci features state of the art Dim to Warm light technology with 3 preset light level plus full range dimming which are activated via optical switch atop the shade. Luci also boasts a best-in-class battery life to provide many hours of untethered illumination between charges. Available in both table and floor standing models, Luci is offered in three anodized machine trace finishes in Silver, Brass, Black and a painted textured Matte White.

## FIXTURE TYPE

Floor

## LIGHT SOURCE

Flat panel LED

## LIGHT CONTROL

Optical switch

Full range dimming (100-10%)

3-stage dimming (100/40/10%)

## FEATURES

Portable and rechargeable

13-130 hr Battery life

## SPECIFICATIONS

Voltage: 120-240V 50/60Hz

Power Consumption: 5.3W

Color Temperature: 2700K-2200K (warm dim)

Luminosity: 350 Lumens

Luminaire efficacy: 66 Lumens/Watt

Color Rendition Index: 90+ CRI

Cable Length: 9'(2.7m)

IP Rating: IP20. IP54 Available upon request

## CERTIFICATIONS



## PRODUCT CODES

Luci Floor (White Painted):	LUCI FLR WHT
Luci Floor (Silver Anodized):	LUCI FLR SLV
Luci Floor (Black Anodized):	LUCI FLR BLK
Luci Floor (Brass Anodized):	LUCI FLR BRA

## PACKAGING WEIGHT AND DIMENSIONS

Luci Floor:	9LBS	11" X 23" X 3"
	4KG	28cm X 58cm X 7.6cm

## NOTES

Custom requests can be considered on volume orders



## FINISHES

LUCI FLOOR



WHITE



BLACK



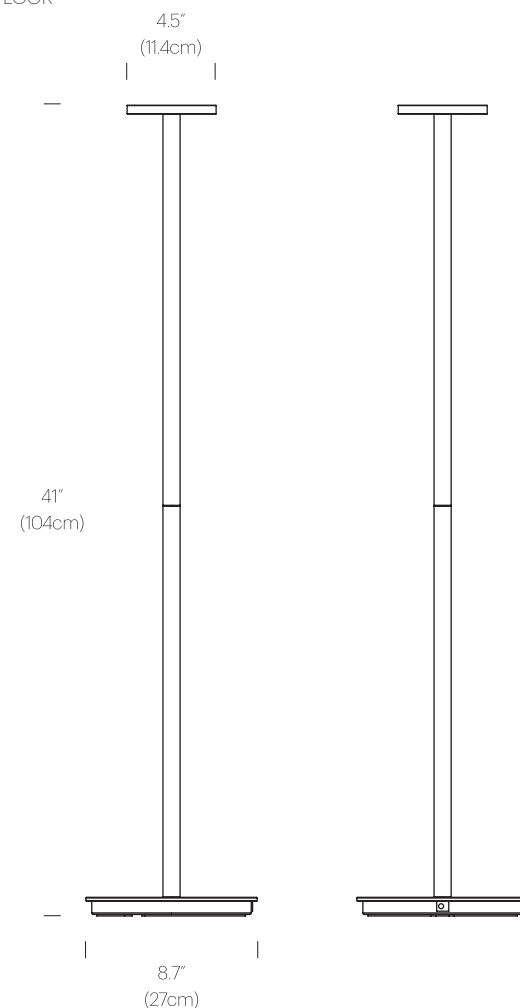
BRASS



SILVER

## DIMENSIONS

LUCI FLOOR





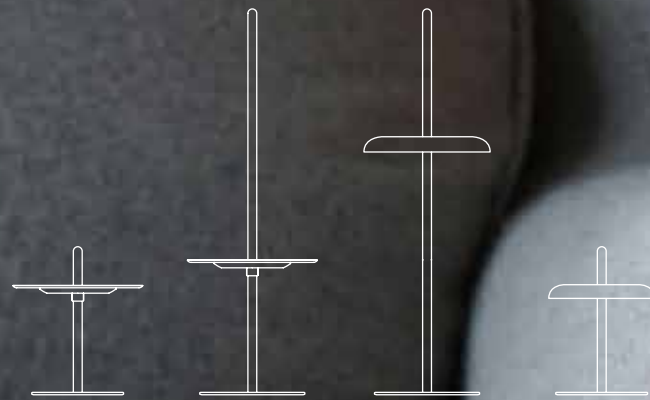




# NIVÉL

At the intersection of truly functional lighting and furniture, Nivel brings warm and dynamic illumination to any residential, hospitality or work space. The Nivel portable collection consists of rechargeable, battery powered table and floorstanding lights that allow for freedom of movement to bring light to areas not serviced by power outlets. Perfect for indoor and outdoor entertaining, Nivel instantly becomes the focal point of any social gathering and can be easily toted by its solid wood post handle. Its cleverly designed shade/light engine assembly can be easily raised and lowered to any desired height around its crafted wooden post to provide maximum light control depending on user preference. Nivel portables are available in both pedestal floor and shaded table and floor models with 6 painted colorways in matted white, Terracotta, Forest Green, Slate Blue, Espresso and textured black and can be paired with either a white oak or walnut post. LED light engine features glare free flat panel light technology with best in class battery life of between 8-160 hours depending on light level.

Designer:  
Pablo Pardo + Pablo Studio 2021



# NIVÉL PEDESTAL

## DESCRIPTION

At the intersection of functional lighting and furniture, you find Nivel. As an adjustable height side table, Nivel provides a totem to gather around. Portable and rechargeable, Nivel enables users to bring light to areas not serviced by power outlets. Sturdy enough to rest a few beverages atop while nimble enough to be raised or lowered at a moment's notice. Its cleverly designed light module rests securely fastened around a solid wood post fastened to a powder-coated steel base for added footing. A soft ambient downward facing light panel completes the package, bringing an unobtrusive light source to your home or office space. The post is offered in both solid oak and walnut and can be paired with a powder-coated tray in White, Terracotta, and Black.

## FIXTURE TYPE

Portable-rechargeable

## LIGHT SOURCE

Flat Panel LED

## LIGHT CONTROL

Capacitive touch switch (3-stage dimming 100/40/10%)  
Full range dimming (100-10%)

## FEATURES

Adjustable height tray surface  
USB-C charging port  
8-160 hr Battery life

## SPECIFICATIONS

Voltage: 120-240V 50/60Hz  
Power Consumption: 7W  
Color Temperature: 2700-2200K (warm dim)  
Luminosity: 425 Lumens  
Luminaire Efficacy: 61 Lumens/Watt  
Color Rendition Index: 95 CRI  
Cord length 9' (2.7m)  
10W Charging block included  
IP Rating: IP20. IP54 Available upon request

## CERTIFICATIONS



## PRODUCT CODES (ENTER SML OR LRG SIZE IN BLANK SPACE)

Nivel Pedestal (Oak/Black):	NIVE PED	OAK BLK
Nivel Pedestal (Oak/Terracotta):	NIVE PED	OAK TER
Nivel Pedestal (Oak/White):	NIVE PED	OAK WHT
Nivel Pedestal (Walnut/Black):	NIVE PED	WAL BLK
Nivel Pedestal (Walnut/Terracotta):	NIVE PED	WAL TER
Nivel Pedestal (Walnut/White):	NIVE PED	WAL WHT

## PACKAGING WEIGHT AND DIMENSIONS

Nivel Pedestal LG (Lamp, base and tray)	4.5LBS 2KG	17" X 17" X 4" 43cm X 43cm X 10cm
Nivel Pedestal LG (Post)	1.5LBS .7KG	2" X 2" X 50" 5cm X 5cm X 127cm
Nivel Pedestal SM	4.5LBS 2KG	14" X 14" X 4" 35cm X 35cm X 10cm

## NOTES

Custom requests can be considered on volume orders

140 **Pablo**

AVAILABLE GLOBALLY



## FINISHES

### POST



OAK



WALNUT

### TRAY



WHITE



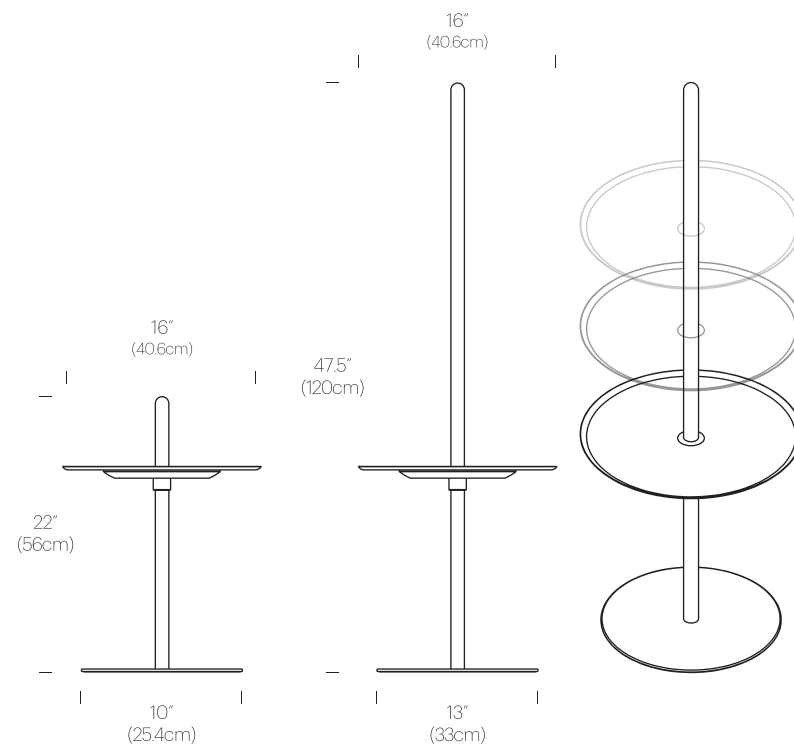
TERRACOTTA



BLACK

## DIMENSIONS

### NIVÉL PEDESTAL SMALL & LARGE



**Pablo** 141



# NIVÉL TABLE

## DESCRIPTION

At the intersection of functional lighting and furniture, you find Nivel. Nivel Table is an adjustable height portable light companion. Perfect for indoor or outdoor use, Nivel provides a totem to gather around. Portable and rechargeable, Nivel enables users to bring light to areas not serviced by power outlets. Its cleverly designed light module rests securely fastened around a solid wood post fastened to a powder-coated steel base for added footing. A soft ambient downward facing light panel completes the package, bringing an unobtrusive light source to your home or office space. The post is offered in both solid oak and walnut and can be paired with a powder-coated shade in white, Terracotta, Forest Green, Slate Blue, Espresso and textured black.

## FIXTURE TYPE

Portable-rechargeable

## LIGHT SOURCE

High output LED array

## LIGHT CONTROL

Capacitive touch switch (3-stage dimming 100/40/10%)  
Full range dimming (100-10%)

## FEATURES

Adjustable height tray surface  
USB-C charging port  
8-160 hr Battery life

## SPECIFICATIONS

Voltage: 120-240V 50/60Hz  
Power Consumption: 7W  
Color Temperature: 2700-2200K (warm dim)  
Luminosity: 425 Lumens  
Luminaire Efficacy: 61 Lumens/Watt  
Color Rendition Index: 95 CRI  
Cord length 9' (2.7m)  
10W Charging block included  
IP Rating: IP20. IP54 Available upon request

## CERTIFICATIONS



## PRODUCT CODES

Nivel Table (Oak/Black):	NIVE TBL OAK BLK
Nivel Table (Oak/Slate Blue):	NIVE TBL OAK BLU
Nivel Table (Oak/Espresso):	NIVE TBL OAK BRN
Nivel Table (Oak/Forest):	NIVE TBL OAK GRN
Nivel Table (Oak/Terracotta):	NIVE TBL OAK TER
Nivel Table (Oak/White):	NIVE TBL OAK WHT
Nivel Table (Walnut/Black):	NIVE TBL WAL BLK
Nivel Table (Walnut/Slate Blue):	NIVE TBL WAL BLU
Nivel Table (Walnut/Espresso):	NIVE TBL WAL BRN
Nivel Table (Walnut/Forest):	NIVE TBL WAL GRN
Nivel Table (Walnut/Terracotta):	NIVE TBL WAL TER
Nivel Table (Walnut/White):	NIVE TBL WAL WHT

## PACKAGING WEIGHT AND DIMENSIONS

Nivel	4.5LBS	14" X 14" X 4"
(Lamp, base and tray)	2KG	35cm X 35cm X 10cm
Nivel	1.5LBS	2" X 2" X 24"
(Post)	.7KG	5cm X 5cm X 61cm

## NOTES

Custom requests can be considered on volume orders



## FINISHES

### WOOD



OAK



WALNUT

### SHADE



BLACK



WHITE



TERRACOTTA



FOREST



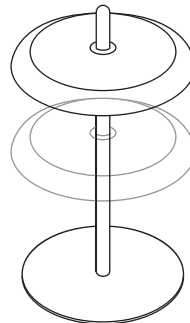
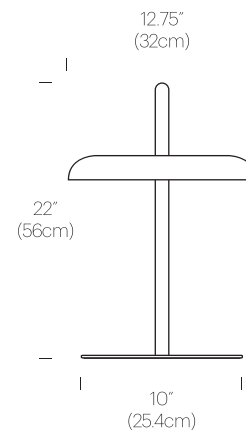
SLATE BLUE



ESPRESSO

## DIMENSIONS

### NIVÉL TABLE





# NIVÉL FLOOR

## DESCRIPTION

At the intersection of functional lighting and furniture, you find Nivel. Nivel Floor is an adjustable height portable floor lamp. Perfect for indoor or outdoor use, Nivel provides a totem to gather around. Portable and rechargeable, Nivel enables users to bring light to areas not serviced by power outlets. Its cleverly designed light module rests securely fastened around a solid wood post fastened to a powdercoated steel base for added footing. A soft ambient downward facing light panel completes the package, bringing an unobtrusive light source to your home or office space. The post is offered in both solid oak and walnut and can be paired with a powder-coated shade in White, Terracotta, Forrest Green, Slate Blue, Espresso and textured black.

## FIXTURE TYPE

Portable-rechargeable

## LIGHT SOURCE

Flat Panel LED

## LIGHT CONTROL

Capacitive touch switch (3-stage dimming 100/40/10%)  
Full range dimming (100-10%)

## FEATURES

Adjustable height tray surface  
USB-C charging port  
8-160 hr Battery life

## SPECIFICATIONS

Voltage: 120-240V 50/60Hz  
Power Consumption: 7W  
Color Temperature: 2700-2200K (warm dim)  
Luminosity: 425 Lumens  
Luminaire Efficacy: 61 Lumens/Watt  
Color Rendition Index: 95 CRI  
Cord length 9' (2.7m)  
10W Charging block included  
IP Rating: IP20. IP54 Available upon request

## CERTIFICATIONS



## PRODUCT CODES

Nivel Floor (Oak/Black):	NIVE FLR OAK BLK
Nivel Floor (Oak/Slate Blue):	NIVE FLR OAK BLU
Nivel Floor (Oak/Espresso):	NIVE FLR OAK BRN
Nivel Floor (Oak/Forest):	NIVE FLR OAK GRN
Nivel Floor (Oak/Terracotta):	NIVE FLR OAK TER
Nivel Floor (Oak/White):	NIVE FLR OAK WHT
Nivel Floor (Walnut/Black):	NIVE FLR WAL BLK
Nivel Floor (Walnut/Slate Blue):	NIVE FLR WAL BLU
Nivel Floor (Walnut/Espresso):	NIVE FLR WAL BRN
Nivel Floor (Walnut/Forest):	NIVE FLR WAL GRN
Nivel Floor (Walnut/Terracotta):	NIVE FLR WAL TER
Nivel Floor (Walnut/White):	NIVE FLR WAL WHT

## PACKAGING WEIGHT AND DIMENSIONS

Nivel Floor	4.5LBS	17" X 17" X 4"
(Lamp, base and tray)	2KG	43cm X 43cm X 10cm
Nivel Floor	1.5LBS	2" X 2" X 50"
(Post)	.7KG	5cm X 5cm X 127cm

## NOTES

Custom requests can be considered on volume orders

144 **Pablo**

AVAILABLE GLOBALLY



## FINISHES

### WOOD



OAK



WALNUT

### SHADE



BLACK



WHITE



TERRACOTTA



FOREST



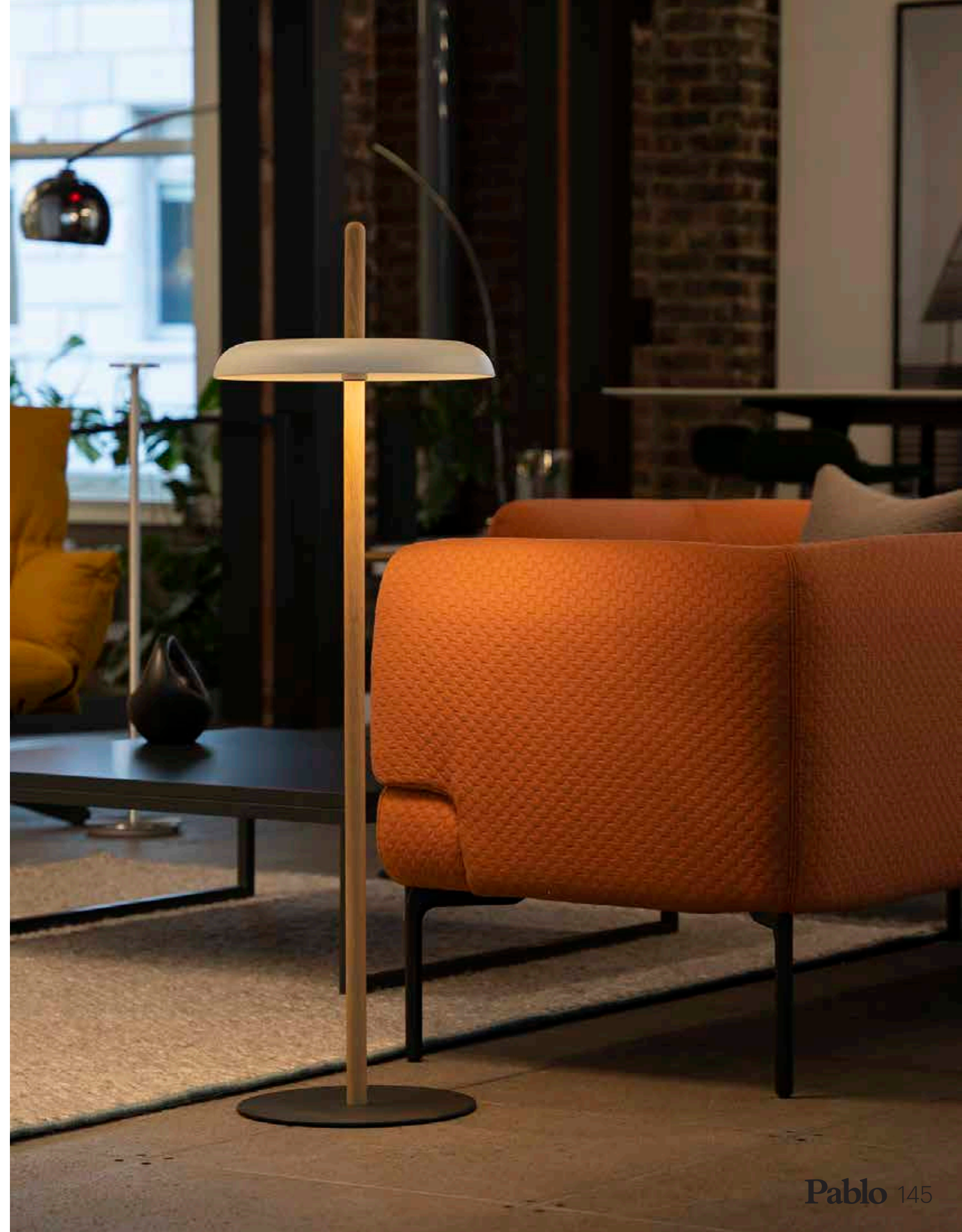
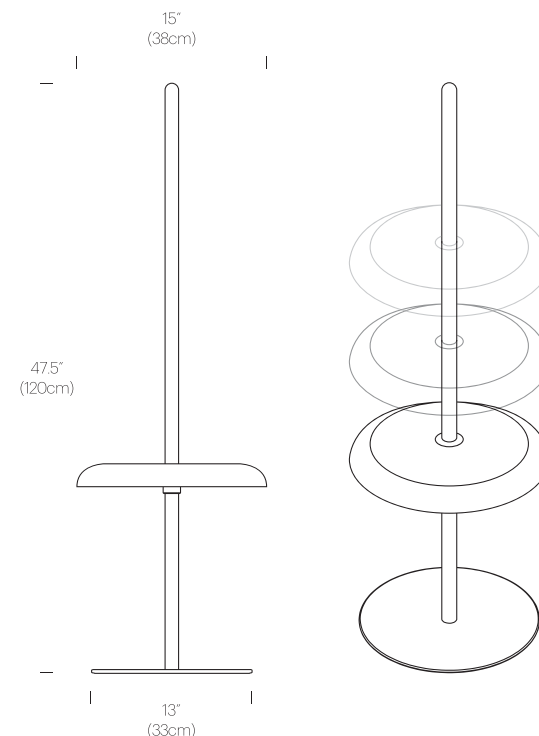
SLATE BLUE



ESPRESSO

## DIMENSIONS

### NIVÉL FLOOR



Pablo 145



# NIVÉL FLOOR + PEDESTAL

## DESCRIPTION

At the intersection of functional lighting and furniture, you find Nivel. Nivel Floor is an adjustable height portable floor lamp. Perfect for indoor or outdoor use, Nivel provides a totem to gather around. Portable and rechargeable, Nivel enables users to bring light to areas not serviced by power outlets. Its cleverly designed light module rests securely fastened around a solid wood post fastened to a powdercoated steel base for added footing. A soft ambient downward facing light panel completes the package, bringing an unobtrusive light source to your home or office space. The post is offered in both solid oak and walnut and can be paired with a powder-coated shade in white, terracotta, forrest green, slate blue, espresso and textured black.

## FIXTURE TYPE

Portable and rechargeable

## LIGHT SOURCE

Flat Panel LED

## LIGHT CONTROL

Capacitive touch switch (3-stage dimming: 100/40/10%)

## FEATURES

Adjustable height tray surface  
 USB-C charging port  
 8-160 hr Battery life

## SPECIFICATIONS

Voltage: 120-240V 50/60Hz  
 Power Consumption: 6W  
 Color Temperature: 2700-2200K (warm dim)  
 Luminosity: 350 Lumens  
 Luminaire Efficacy: 58 Lumens/Watt  
 Color Rendition Index: 95 CRI  
 Cord length 9' (2.7m)  
 8 hr charge time (using included 10W power plug)  
 IP54 damp rated

## CERTIFICATIONS



## PRODUCT CODES

Nivel Pedestal Add-on (Black):	NIVE PED TRAY BLK
Nivel Pedestal Add-on (Terracotta):	NIVE PED TRAY TER
Nivel Pedestal Add-on (White):	NIVE PED TRAY WHT

## PACKAGING WEIGHTS AND DIMENSIONS

Nivel Floor	4.5LBS	17" X 18" X 5.25"
(Lamp, base and tray)	2KG	43cm X 46cm X 13cm

## NOTES

Custom requests can be considered on volume orders



## FINISHES

### SHADE



BLACK



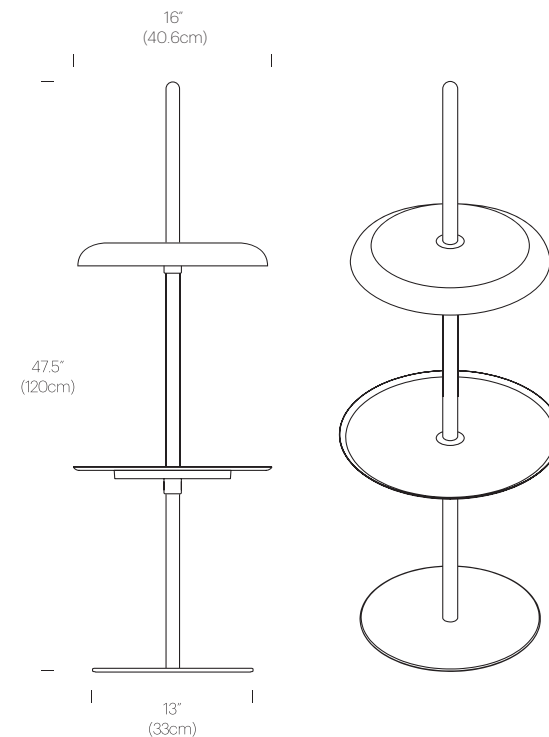
WHITE



TERRACOTTA

## DIMENSIONS

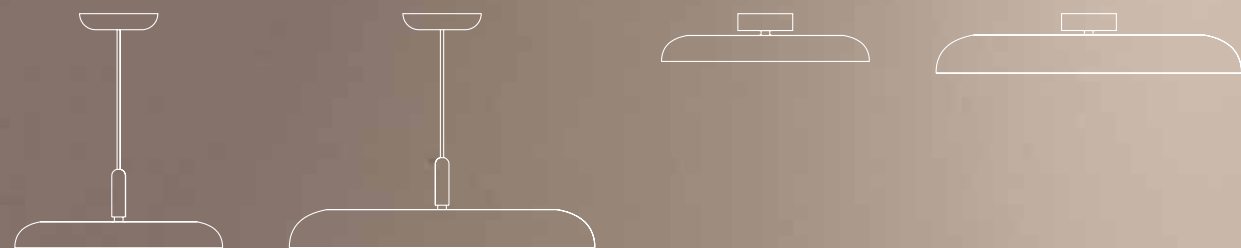
### NIVÉL FLOOR + PEDESTAL



# NIVÉL PENDANT

Redefining the future in pendant illumination, Nivel's pure and elegant silhouette features a colorful pallet of spun shade forms combined with an articulating flat panel LED light engine that pivots gracefully on axis to focus light downward or as a wall wash to provide seamless light control for any space. Nivel pendant can be suspended individually or in large multi-light clusters powered by a single hardwired canopy allowing the user to reposition the lights to any desired height, span and directionality. Available in 2 sizes: 15" (38cm) and 22" (56cm) and 6 powder coated finishes in matte white, Terracotta, Forest Green, Slate Blue, Espresso and textured black with choice of black or white fabric cord and ceiling canopy. Nivel is also available in flush-mount variations for both sizes.

Designer:  
Pablo Pardo + Pablo Studio 2022





# NIVÉL PENDANT

## DESCRIPTION

Redefining the future in pendant illumination, Nivel's pure and elegant silhouette features a colorful pallet of spun shade forms combined with an articulating flat panel LED light engine that pivots gracefully on axis to focus light downward or as a wall wash to provide seamless light control for any space. Nivel pendant can be suspended individually or in large multi-light clusters powered by a single hardwired canopy allowing the user to reposition the lights to any desired height, span and directionality. Available in 2 sizes: 15" (38cm) and 22" (56cm) and 6 powder coated finishes in Matte White, Terracotta, Forest Green, Slate Blue, Espresso and textured black with choice of black or white fabric cord and ceiling canopy.

## FIXTURE TYPE

Pendant

## LIGHT SOURCE

LED Flat-Panel

## LIGHT CONTROL

Hard-wired, dimmable  
Compatible with TRIAC/ELV and 0-10V dimmers  
Dali compatibility upon request

## FEATURES

45° shade tilt in two directions

## SPECIFICATIONS

Voltage: 120-240V 50/60Hz  
Power Consumption: 10.5W  
Color Temperature: 2700K  
Luminosity: 555 Lumens (Nivel 15), 740 Lumens (Nivel 22)  
Luminaire Efficacy: 53 Lumens/Watt (Nivel 15), 70 Lumens/Watt (Nivel 22)  
Color Rendition Index: 90 CRI  
Title 20 compliant  
50K hour lifespan  
Cord length 10' (305cm)

## CERTIFICATIONS



## PRODUCT CODES (ENTER LAMP SIZE IN BLANK SPACE)

Nivel Pendant	Black Shade Black Cord:	NIVE PND	BLK BLK
Nivel Pendant	Black Shade White Cord:	NIVE PND	BLK WHT
Nivel Pendant	Slate Shade Black Cord:	NIVE PND	BLU BLK
Nivel Pendant	Slate Shade White Cord:	NIVE PND	BLU WHT
Nivel Pendant	Espresso Shade Black Cord:	NIVE PND	BRN BLK
Nivel Pendant	Espresso Shade White Cord:	NIVE PND	BRN WHT
Nivel Pendant	Forest Shade Black Cord:	NIVE PND	GRN BLK
Nivel Pendant	Forest Shade White Cord:	NIVE PND	GRN WHT
Nivel Pendant	Terracotta Shade Black Cord:	NIVE PND	TER BLK
Nivel Pendant	Terracotta Shade White Cord:	NIVE PND	TER WHT
Nivel Pendant	White Shade Black Cord:	NIVE PND	WHT BLK
Nivel Pendant	White Shade White Cord:	NIVE PND	WHT WHT

## PACKAGING WEIGHT AND DIMENSIONS

Nivel Pendant 15	7LBS	17" X 17" X 5"
	3KG	43cm X 43cm X 12cm
Nivel Pendant 22	11LBS	24" X 24" X 6"
	5KG	60cm X 60cm X 15cm

## NOTES

Custom requests can be considered on volume orders



## FINISHES

### CORD



BLACK



WHITE

### SHADE



BLACK



WHITE



TERRACOTTA



FOREST



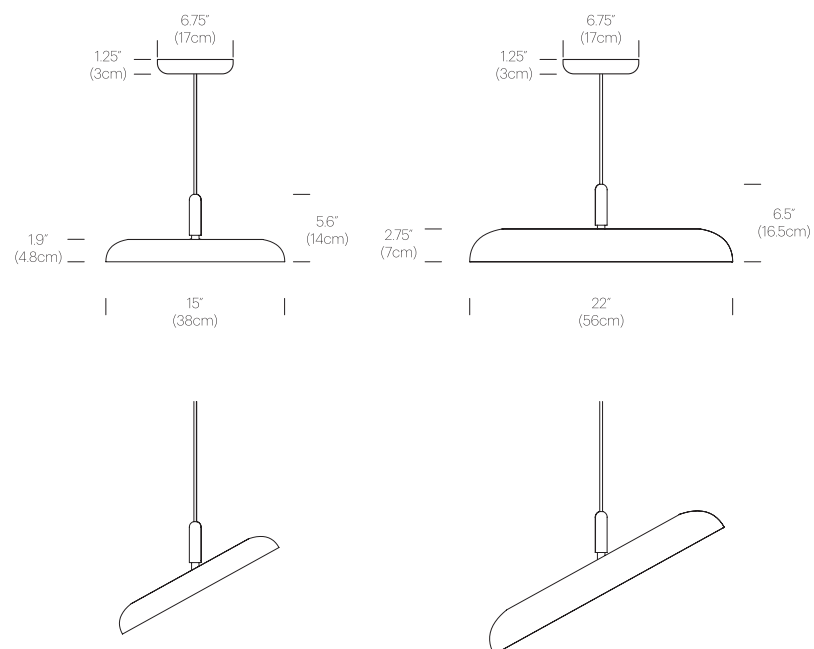
SLATE



ESPRESSO

## DIMENSIONS

### NIVÉL PENDANT







# NIVÉL FLUSH

## DESCRIPTION

Nivel's pure and elegant silhouette features a colorful pallet of spun shade forms combined with a flat panel LED light engine. Nivel flush can be mounted in both ceiling and wall situations. Available in 2 sizes: 15" (38cm) and 22" (56cm) and 6 powder coated finishes in Matte White, Terracotta, Forest Green, Slate Blue, Espresso and textured black paired with a white canopy assembly.

## FIXTURE TYPE

Wall/Ceiling

## LIGHT SOURCE

LED Flat-Panel

## LIGHT CONTROL

Hard-wired, dimmable  
Compatible with TRIAC/ELV and 0-10V dimmers  
Dali compatibility upon request

## FEATURES

Full-range dim

## SPECIFICATIONS

Voltage: 120-240V 50/60Hz  
Power Consumption: 10.5W  
Color Temperature: 2700K  
Luminosity: 740 Lumens  
Luminaire Efficacy: 70 Lumens/Watt  
Color Rendition Index: 90 CRI  
Title 20 compliant  
50K hour lifespan

## CERTIFICATIONS



## PRODUCT CODES (ENTER LAMP SIZE IN BLANK SPACE)

Nivel Flush	Black Shade:	NIVE FSH	BLK
Nivel Flush	Slate Shade:	NIVE FSH	BLU
Nivel Flush	Espresso Shade:	NIVE FSH	BRN
Nivel Flush	Forest Shade:	NIVE FSH	GRN
Nivel Flush	Terracotta Shade:	NIVE FSH	TER
Nivel Flush	White Shade:	NIVE FSH	WHT

## PACKAGING WEIGHT AND DIMENSIONS

Nivel Flush 15	7LBS	17" X 17" X 5"
	3KG	43cm X 43cm X 12cm
Nivel Flush 22	11LBS	24" X 24" X 6"
	5KG	60cm X 60cm X 15cm

## NOTES

Custom requests can be considered on volume orders

154 **Pablo**

AVAILABLE GLOBALLY



## FINISHES

SHADE



BLACK



WHITE



TERRACOTTA



FORREST



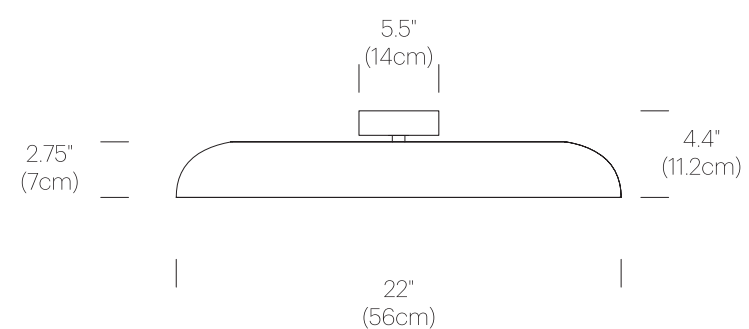
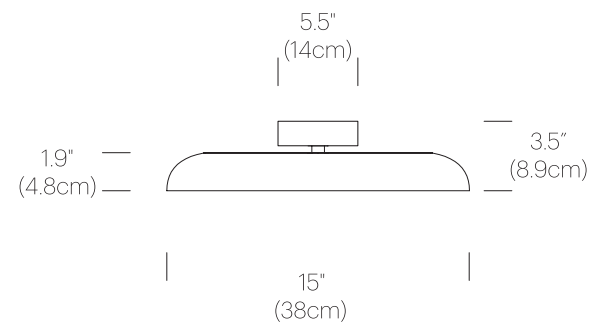
SLATE BLUE



ESPRESSO

## DIMENSIONS

NIVÉL FLUSH



**Pablo** 155

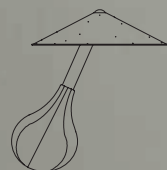


# PICCOLA

As his very first product, Piccola is the original embodiment of Pablo Pardo's "less is more" design philosophy. Created as a personal utility lamp, Piccola's form is minimal, but also tactile, playful, and inviting of interaction. Supple Italian glove leather covers its soft, pliable base, which a user can tilt to any angle while its aluminum shade floats to remain level. It is this malleable base that maintains Piccola's sensitivity to any position - sensitivity intended to make every articulation organic and personal. Piccola is part of the San Francisco Museum of Modern Art's permanent collection.

Designer:  
Pablo Pardo 1993

Awards:  
[1993 ID Magazine Gold Award](#)  
[SF MOMA permanent collection](#)





# PICCOLA

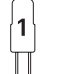
## DESCRIPTION

Piccola is limited only by your imagination. Its soft pliable base is covered in supple Italian glove leather and can be tilted to any angle while its hand-spun aluminum shade floats freely to remain level in all positions. It is as playful as it is intelligent. Piccola is part of the SFMOMA permanent collection.

## FIXTURE TYPE

Table

## LIGHT SOURCE

US	
Brand:	SATCO
15.5W HAL	
2900K	
GY6.35	
380Lm	

## LIGHT CONTROL

Full range dim (in-line rotary dimmer)

## FEATURES

Adjustable to any desired angle

## SPECIFICATIONS

Voltage: 120V

Cable length: 8' (244cm)

Color Rendition Index: 90 CRI

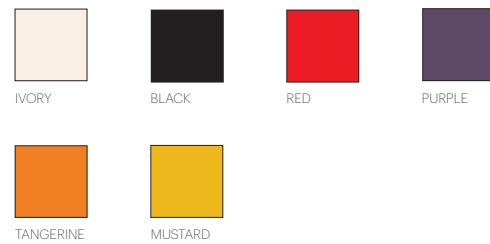
1 year warranty

## CERTIFICATIONS

UL listed components

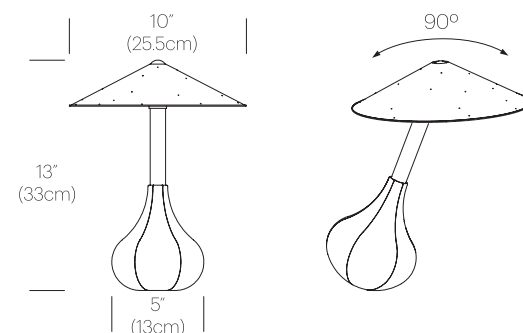


## FINISHES



## DIMENSIONS

PICCOLA



## PRODUCT CODES

Piccola (Ivory Leather):	PICC LS IVR
Piccola (Black Leather):	PICC LS BLK
Piccola (Purple Leather):	PICC LS PUR
Piccola (Red Leather):	PICC LS RED
Piccola (Mustard Leather):	PICC LS MUS
Piccola (Tangerine Leather):	PICC LS ORG

## PACKAGING WEIGHT AND DIMENSIONS

Piccola:	8.45LBS	15" X 11.5" X 9"
	3.8KGS	38cm X 29cm X 23cm

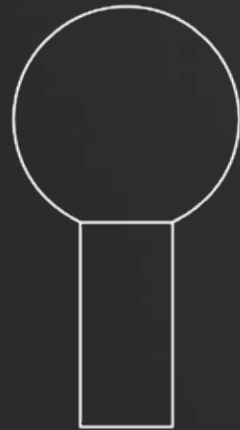
## NOTES

Custom requests can be considered on volume orders

# PILAR

Playful and sculptural in design, Pilar is a study in geometric proportions that meticulously bring out the character of its materials to create pure warm, ambient illumination for any range of spaces. Pilar embodies a harmonious dialogue between solidity and lightness featuring a monolithic column in marble with a hovering glass globe that define its iconic silhouette. Pilar is offered in both Carrara white and Marquina black marble bases with a mating 12" (30.5cm) frosted Opal glass globe and features an inline full-range dimmer to select any desired light setting and ambiance.

Designer:  
Pablo Pardo + Pablo Studio 2022





# PILAR

## DESCRIPTION

Playful and sculptural in design, Pilar is a study in geometric proportions that meticulously bring out the character of its materials to create pure warm, ambient illumination for any range of spaces. Pilar embodies a harmonious dialogue between solidity and lightness featuring a monolithic column in marble with a hovering glass globe that define its iconic silhouette. Pilar is offered in both Carrara white and Marquina black marble bases with a mating 12"(30.5cm) frosted Opal glass globe and features an inline full-range dimmer to select any desired light setting and ambiance.

## FIXTURE TYPE

Table

## LIGHT SOURCE

US	
Brand: <b>SATCO</b>	
8W LED	
2700K	
E26/BT-15 800Lm	

## LIGHT CONTROL

In-line dimmer

## FEATURES

Fully dimmable

## SPECIFICATIONS

Voltage: 120-240V 50/60Hz

Power Consumption: 8W

Color Temperature: 2700K

Luminosity: 800 Lumens

Luminaire Efficacy: 100 Lumens/Watt

Color Rendition Index: 90 CRI

Cord length 9' (2.7m)

## CERTIFICATIONS



## PRODUCT CODES

Pilar (Black Marble):	PILA MRBL BLK
Pilar (White Marble):	PILA MRBL WHT

## PACKAGING WEIGHTS AND DIMENSIONS

Pilar:	13LBS	8.25" X 8.25" X 17.5"
(Lamp base)	6KG	21cm X 21cm X 44cm
Pilar:	7.2LBS	18" X 18" X 18"
(Globe)	6KG	46cm X 46cm X 46cm

## NOTES

Custom requests can be considered on volume orders



## FINISHES

### MARBLE BASE



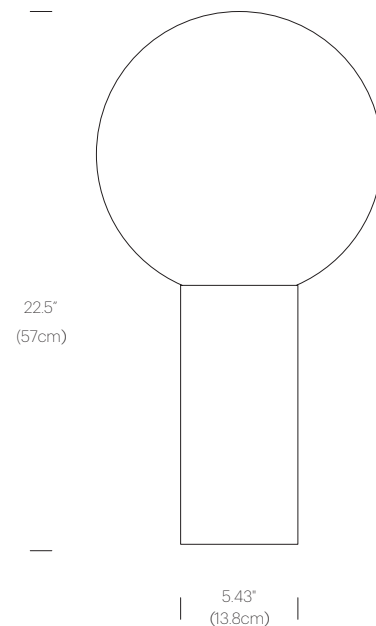
CARRARA  
WHITE



MARQUINA  
BLACK

## DIMENSIONS

### PILAR





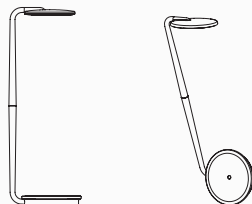


# PIXO

Although it embodies an emotive, humanistic form, Pixo, at its conceptual core, is an ultra-efficient task light. Functionality and necessity drive its design. It makes the most of its frame and its space through every feature: Pixo's swiveling light shade and highly maneuverable arm lend it maximum utility within a minimal footprint. Its compact, energy-saving LED light is infinitely adjustable, allowing the user to focus warm, glare-free light wherever needed. For added convenience, the elegant form factor features full-range dimming via its intuitive optical switch. Pixo's newly upgraded wireless charging base with USB-C port now provides up to 15 watts of power for high-speed charging. Even more, the upper and lower pieces ship detached from one another to reduce packing materials and shipping costs. Pixo Plus is 97% recyclable. Pixo is also available for wall mount application and features only a USB-A charging port.

Designer:  
Fernando Pardo and Pablo Pardo 2011/2019

Awards:  
[2012 Red Dot Award](#)



# PIXO PLUS

## DESCRIPTION

Designed for maximum utility in a minimal footprint, this compact and efficient LED task light is highly adjustable, allowing you to focus warm, glare-free light where you need it most. For added convenience, the elegant form factor features full-range dimming via its intuitive optical switch. Pixo's newly upgraded wireless charging base with USB-C port now provides up to 15 watts of power for high-speed charging. Pixo Plus is available in many sophisticated colorways to suite every discerning taste.

## FIXTURE TYPE

Table

## LIGHT SOURCE

(78x) High-output LED array

## LIGHT CONTROL

Full range dim control 100%-10% (optical switch)

## FEATURES

- 360° arm rotation
- 180° arm tilt
- 360° shade rotation
- Wireless charging (up to 15W)
- USB-C charging port (up to 15W)
- Advanced LED array eliminates multiple shadows
- ADA compliant
- Ships flat-packed
- OCC model available upon request

## SPECIFICATIONS

- Voltage: 120-240V 50-60Hz
- Power consumption: 6W MAX
- Color temperature: 3000K
- Luminosity: 325 Lumens
- Luminaire efficacy: 54 Lumens/Watt
- Color Rendition Index: 90 CRI
- 50K hour lifespan
- Cable length: 6' (182cm)
- Global multi-plug adapter available

## CERTIFICATIONS



## PRODUCT CODES

Pixo Plus (White):	PIXO PLUS WHT
Pixo Plus (Silver):	PIXO PLUS SLV
Pixo Plus (Graphite):	PIXO PLUS BLK
Pixo Plus (Azure):	PIXO PLUS BLU
Pixo Plus (Glow):	PIXO PLUS GLW
Pixo Plus (Orange):	PIXO PLUS ORG
Pixo Plus (White/Brass):	PIXO PLUS WHT/BRA
Pixo Plus (Graphite/Brass):	PIXO PLUS BLK/BRA

## PACKAGING WEIGHT AND DIMENSIONS

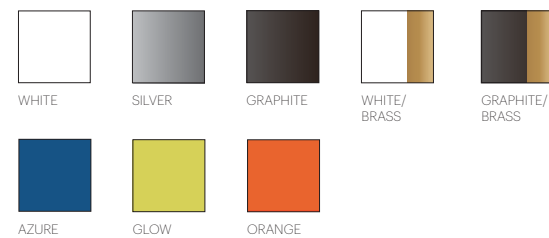
Pixo:	3.45LBS	17" X 9.5" X 2"
	1.6KGS	43cm X 24cm X 5cm

## NOTES

- Occupancy sensor model available upon request
- Custom requests can be considered on volume orders

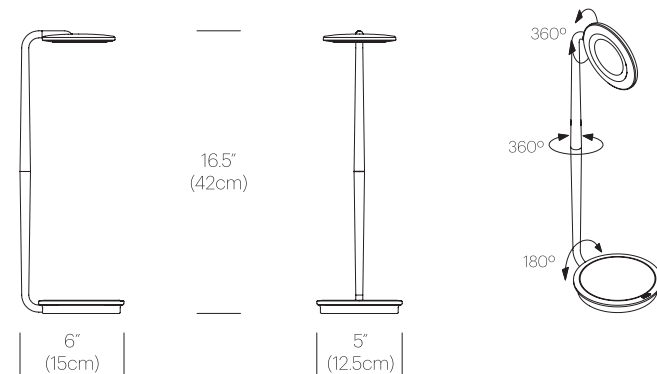


## FINISHES



## DIMENSIONS

PIXO





# PIXO WALL

## DESCRIPTION

Pixo offers maximum utility in a minimal footprint. The compact and efficient LED task light is highly adjustable, allowing you to focus warm, glare-free light where you need it most. For added convenience, the elegant form factor features full-range dimming via its easy to use optical switch. The base integrates a USB port for charging mobile devices. Pixo now offers an expansive array of expressive and sophisticated colors to suit every discerning taste.

## FIXTURE TYPE

Wall

## LIGHT SOURCE

(78x) High-output LED array

## LIGHT CONTROL

Full range dim control 100%-10%

## FEATURES

- 360° arm rotation
- 180° arm tilt
- 360° shade rotation
- USB-A charging port
- Advanced LED array eliminates multiple shadows
- ADA compliant
- Ships flat-packed

## SPECIFICATIONS

- Voltage: 120-240V 50-60Hz
- Power consumption: 6W MAX
- Color temperature: 3000K
- Luminosity: 325 Lumens
- Luminaire efficacy: 54 Lumens/Watt
- Color Rendition Index: 90 CRI
- 50K hour lifespan
- Cable length: 6' (182cm)
- Global multi-plug adapter available

## CERTIFICATIONS



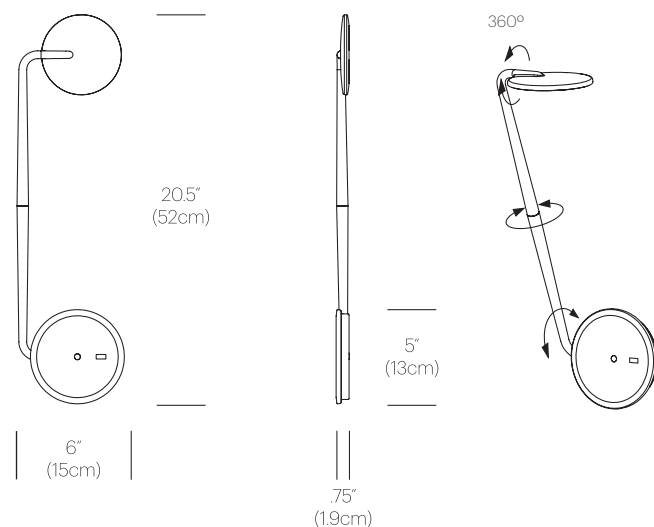
## FINISHES



WHITE

## DIMENSIONS

PIXO WALL



## PRODUCT CODES

Pixo Wall Pin-up (White):	PIXO WALL WHT
Pixo Wall Hard-wired (White):	PIXO WALL HW WHT

## PACKAGING WEIGHT AND DIMENSIONS

Pixo Wall:	3.45LBS	17" X 9.5" X 2"
	1.6KGS	43cm X 24cm X 5cm

## NOTES

Additional finishes can be considered on volume orders

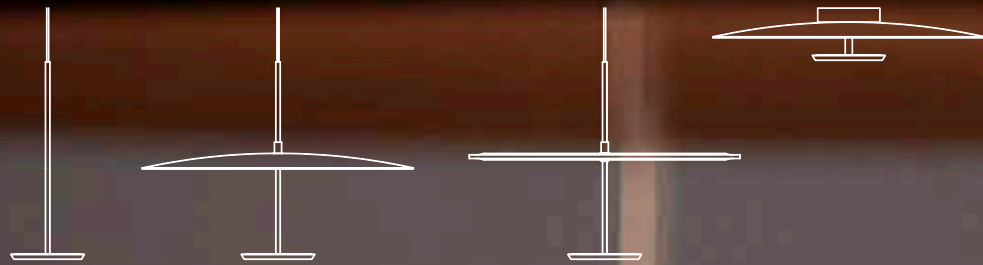


# SKY

The Sky Collection was inspired as a modular pendant lighting system and Sky Solo is the core foundational element. Its minimal all-aluminum design highlights a powerful two-sided flat panel light source with Dim to Warm LED technology that can deliver up to 1250 lumens of warm ambient light in all directions. Sky Solo can be suspended individually, in series, or as striking chandelier groupings for residential, contract, and hospitality settings alike. Solo's light element can also be combined with a wide range of premium shade reflectors in metal, wood, and acoustic felt to provide an extraordinary breadth of performance and decorative solutions for residential, office, and hospitality settings alike.

Designer:  
Pablo Pardo + Pablo Studio 2020

Awards:  
2020 IDA Award  
2020 NYCxDESIGN Award





# SKY SOLO

## DESCRIPTION

The Sky Collection was inspired as a modular pendant lighting system and Sky Solo is its core foundational element. Its minimal all-aluminum design highlights a powerful two-sided flat panel light source with Dim to Warm LED technology that can deliver up to 1250 lumens of warm ambient light in all directions. Sky Solo can be suspended individually, in series, or as striking chandelier groupings for residential, contract, and hospitality settings alike. Solo's light element can also be combined with a wide range of premium shade reflectors in metal, wood and acoustic felt to provide an extraordinary breadth of performance and decorative solutions.

## FIXTURE TYPE

Pendant

## LIGHT SOURCE

LED Flat-Panel

## LIGHT CONTROL

Fully dimmable Compatible with TRIAC/ELV dimmers (0-10V dimming available upon request)  
Dali compatibility upon request

## FEATURES

Dim-to-Warm (DTW) Light Source  
Uplight/Downlight  
Energy-efficient, flat panel technology  
Glare-free illumination

## SPECIFICATIONS

Voltage: 120 or 240V 50/60Hz  
(100-277V 50/60Hz Available upon request)  
Power Consumption: 18W MAX  
Color Temperature: 2700-2200K (warm dim) or 3000K CCT, *Note: 2700K CCT and 3500K CCT models Available Upon Request on volume orders*  
Luminosity: 1250 Lumens (850 down/400 up)  
Luminaire efficacy: 708 Lumens/Watt  
Color Rendition Index: 90 CRI  
50K hour lifespan  
Cable Length: 10' (3m) (Field cuttable)  
ELV Dimmer recommended

## CERTIFICATIONS



## PRODUCT CODES

Sky Solo (Matte Black)	SKY SOLO BLK
Sky Solo (Polished)	SKY SOLO

## PACKAGING WEIGHT AND DIMENSIONS

Sky Solo:	3.1LBS	10" X 19" X 2.4"
	1.4KGS	26cm X 48cm X 6cm

## NOTES

Additional finishes can be considered on volume orders



## FINISHES

### LAMP



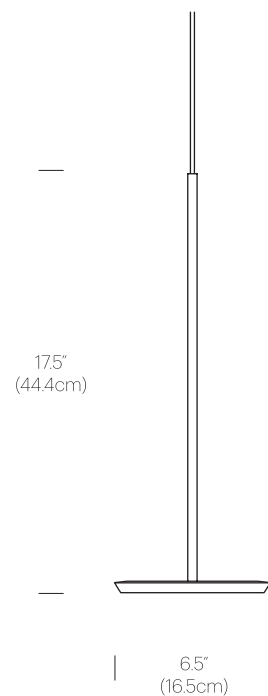
POLISHED ALUMINUM



MATTE BLACK

## DIMENSIONS

### SKY SOLO



# SKY DOME METAL

## DESCRIPTION

The Sky Collection is a modular pendant lighting system featuring multiple shade reflector solutions for various decorative and performance benefits. Sky Dome is available in both spun aluminum and pressed wood shade reflectors that when combined with their powerful 2-sided LED light source gives the lamp a weightless appearance while providing unparalleled illumination in all directions. Sky Dome combined form and function with unsurpassed quality and is available in 3 sizes : 18" (45.8cm)/24" (61cm)/32" (81cm).

## FIXTURE TYPE

Pendant

## LIGHT SOURCE

LED Flat-Panel downlight/High-output LED array uplight

## LIGHT CONTROL

Fully dimmable Compatible with TRIAC/ELV dimmers (0-10V dimming available upon request)  
Dali compatibility upon request

## FEATURES

Uplight/Downlight  
Energy-efficient, flat panel technology (Glare-free illumination)

## SPECIFICATIONS

Voltage: 120 or 240V 50/60Hz  
(100-277V 50/60Hz Available upon request)  
Power Consumption: 18W MAX  
Color Temperature: 2700-2200K (warm dim) or 3000K CCT, Note: 2700K CCT and 3500K CCT models Available Upon Request on volume orders  
Luminosity: 1250 Lumens (850 down/400 up)  
Luminaire efficacy: 70 Lumens/Watt  
Color Rendition Index: 90 CRI  
50K hour lifespan  
Cable Length: 10' (3m) (Field cuttable)

## CERTIFICATIONS



## PRODUCT CODES (ENTER SHADE SIZE IN BLANK SPACE)

Sky Dome (Black/Black):	SKY DOM	BLK BLK
Sky Dome (Black/Brass):	SKY DOM	BLK BRA
Sky Dome (Black/White):	SKY DOM	BLK WHT
Sky Dome (Polished/Black):	SKY DOM	BLK
Sky Dome (Polished/Brass):	SKY DOM	BRA
Sky Dome (Polished/White):	SKY DOM	WHT

## PACKAGING WEIGHT AND DIMENSIONS

Sky Solo:	3.1LBS	10" X 19" X 2.4"
(Lamp)	1.4KGS	26cm X 48cm X 6cm
Sky Dome Metal 18:	3.1LBS	21.3" X 20.4" X 2.9"
(Shade)	1.4KGS	54cm X 52cm X 7.3cm
Sky Dome Metal 24:	5.1LBS	27.1" X 26.4" X 3.25"
(Shade)	2.3KGS	69cm X 67cm X 8.2cm
Sky Dome Metal 32:	9.5LBS	35" X 34.8" X 3.9"
(Shade)	4.3KGS	89cm X 88cm X 10cm

## NOTES

Additional finishes can be considered on volume order



## FINISHES

### LAMP



POLISHED ALUMINUM



MATTE BLACK

### SHADE



BLACK



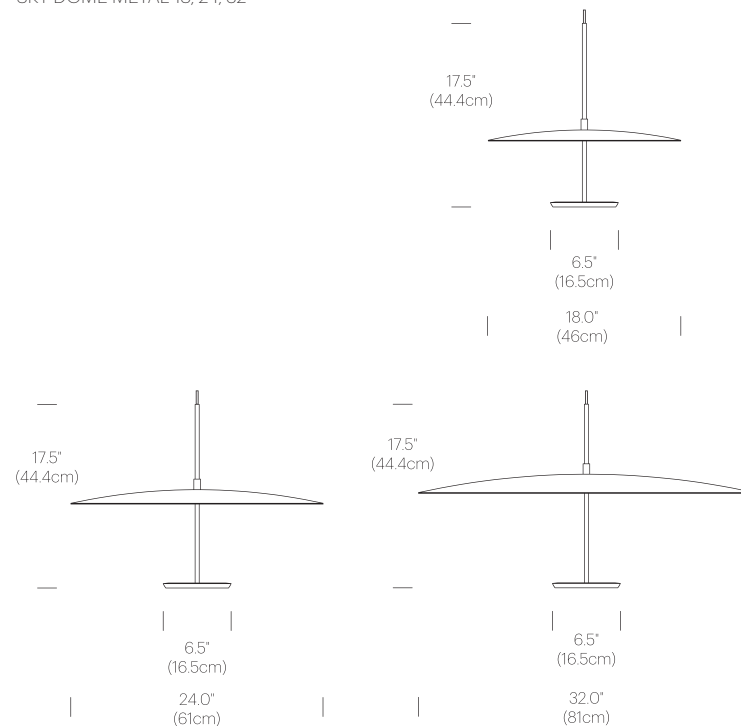
WHITE



SATIN BRASS

## DIMENSIONS

SKY DOME METAL 18, 24, 32





# SKY DOME WOOD

## DESCRIPTION

The Sky Collection is a modular pendant lighting system featuring multiple shade reflector solutions for various decorative and performance benefits. Sky Dome is available in both spun aluminum and pressed wood shade reflectors that when combined with their powerful 2-sided LED light source gives the lamp a weightless appearance while providing unparalleled illumination in all directions. Sky Dome combined form and function with unsurpassed quality and is available in 2 sizes : 18" (45.8cm) and 24" (61cm).

## FIXTURE TYPE

Pendant

## LIGHT SOURCE

LED Flat-Panel downlight/High-output LED array uplight

## LIGHT CONTROL

Fully dimmable Compatible with TRIAC/ELV dimmers (0-10V dimming available upon request)  
Dali compatibility upon request

## FEATURES

Dim-to-Warm (DTW) Light Source  
Uplight/Downlight  
Energy-efficient, flat panel technology  
Glare-free illumination

## SPECIFICATIONS

Voltage: 120 or 240V 50/60Hz  
(100-277V 50/60Hz Available upon request)  
Power Consumption: 18W MAX  
Color Temperature: 2700-2200K (warm dim) or 3000K CCT, Note: 2700K CCT and 3500K CCT models Available Upon Request on volume orders  
Luminosity: 1250 Lumens (850 down/400 up)  
Luminaire efficacy: 70 Lumens/Watt  
Color Rendition Index: 90 CRI  
50K hour lifespan  
Cable Length: 10' (3m) (Field cuttable)  
ELV Dimmer recommended

CERTIFICATIONS  

## PRODUCT CODES (ENTER SHADE SIZE IN BLANK SPACE)

Sky Dome (Black/Oak):	SKY DOM	BLK OAK
Sky Dome (Black/Walnut):	SKY DOM	BLK WLN
Sky Dome (Polished/Oak):	SKY DOM	OAK
Sky Dome (Polished/Walnut):	SKY DOM	WLN

## PACKAGING WEIGHT AND DIMENSIONS

Sky Solo:	3.1LBS	10" X 19" X 2.4"
(Lamp)	1.4KGS	26cm X 48cm X 6cm
Sky Dome Wood 18:	3.3LBS	21.3" X 20.4" X 2.9"
(Shade)	1.4KGS	54cm X 52cm X 7.3cm
Sky Dome Wood 24:	5.5LBS	27.1" X 26.4" X 3.25"
(Shade)	2.5KGS	69cm X 67cm X 8.2cm

## NOTES

Additional finishes can be considered on volume orders



## FINISHES

### LAMP



POLISHED ALUMINUM



MATTE BLACK

### DOME



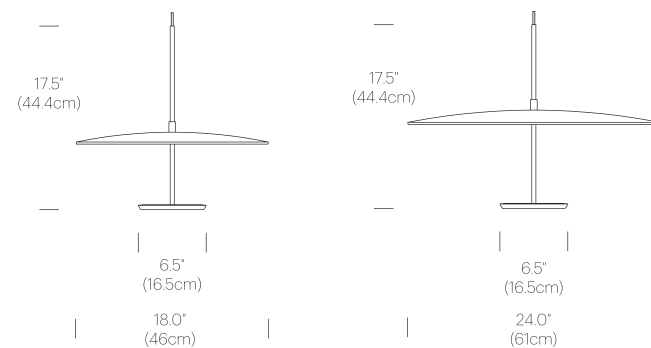
WALNUT



WHITE OAK

## DIMENSIONS

SKY DOME WOOD 18, 24



# SKY SOUND

## DESCRIPTION

The Sky Collection is a modular pendant lighting system featuring multiple shade reflector solutions for various decorative and performance benefits. Sky Sound combines Acoustic performance with powerful omnidirectional illumination to provide a one of a kind pendant solution that minimizes ambient noise and contributes to a positive workspace. Its elegant PET felted disc shade is suspended by a polished aluminum mast and is available in 18" (45.8cm)/24" (61cm)/32" (81cm) sizes with rich and vibrant colorways to create a harmonious environment of light and quiet to enhance our wellbeing.

## FIXTURE TYPE

Pendant

## LIGHT SOURCE

LED Flat-Panel downlight/High-output LED array uplight

## LIGHT CONTROL

Fully dimmable Compatible with TRIAC/ELV dimmers (0-10V dimming available upon request)  
Dali compatibility upon request

## FEATURES

Uplight/Downlight  
Energy-efficient, flat panel technology (Glare-free illumination)

## SPECIFICATIONS

Voltage: 120 or 240V 50/60Hz  
(100-277V 50/60Hz Available upon request)  
Power Consumption: 18W MAX  
Color Temperature: 2700-2200K (warm dim) or 3000K CCT, Note: 2700K CCT and 3500K CCT models Available Upon Request on volume orders  
Luminosity: 1250 Lumens (850 down/400 up)  
Luminaire efficacy: 70 Lumens/Watt  
Color Rendition Index: 90 CRI  
50K hour lifespan  
Cable Length: 10' (3m) (Field cuttable)

## CERTIFICATIONS



## PRODUCT CODES (ENTER SHADE SIZE IN BLANK SPACE)

Sky Sound (Black/Graphite):	SKY SND	BLK GPT
Sky Sound (Black/Grey):	SKY SND	BLK GRY
Sky Sound (Polished/Graphite):	SKY SND	GPT
Sky Sound (Polished/Grey):	SKY SND	GRY

## PACKAGING WEIGHT AND DIMENSIONS

Sky Solo:	3.1LBS	10" X 19" X 2.4"
(Lamp)	1.4KGS	26cm X 48cm X 6cm
Sky Sound 18:	2.5LBS	21.3" X 20.4" X 2.9"
(Shade)	1.9KGS	54cm X 52cm X 7.3cm
Sky Sound 24:	4.1LBS	27.1" X 26.4" X 3.25"
(Shade)	2.4KGS	69cm X 67cm X 8.2cm
Sky Sound 32:	7.2LBS	35" X 34.8" X 3.9"
(Shade)	3.3KGS	89cm X 88cm X 10cm

## NOTES

Additional finishes can be considered on volume orders



## FINISHES

### LAMP



POLISHED ALUMINUM



MATTE BLACK

### SHADE



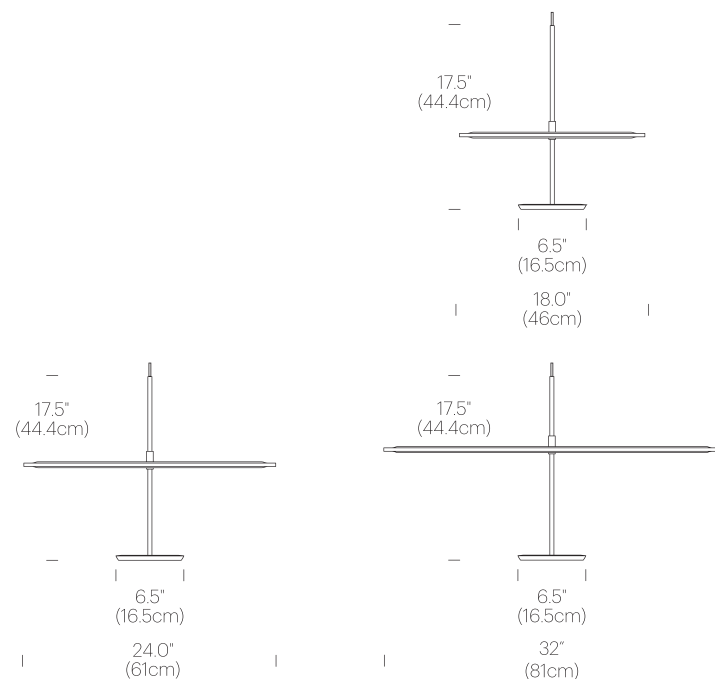
ANTHRACITE



STONE

## DIMENSIONS

SKY SOUND 18, 24, 32





# SKY DOME FLUSH WOOD

## DESCRIPTION

The Sky Collection is a modular pendant lighting system featuring multiple shade reflector solutions for various decorative and performance benefits. Sky Dome Flush is available in both spun aluminum and pressed wood shade reflectors that when combined with their powerful 2-sided LED light source gives the lamp a weightless appearance while providing unparalleled illumination in all directions. Sky Dome combined form and function with unsurpassed quality and is available in 2 sizes : 18" (45.8cm) and 24" (61cm).

## FIXTURE TYPE

Wall/Ceiling

## LIGHT SOURCE

LED Flat-Panel downlight/High-output LED array uplight

## LIGHT CONTROL

Fully dimmable Compatible with TRIAC/ELV dimmers (0-10V dimming available upon request)  
Dali compatibility upon request

## FEATURES

Bi-directional Light Source  
Energy-efficient, flat panel technology (Glare-free illumination)

## SPECIFICATIONS

Voltage: 120 or 240V 50/60Hz  
(100-277V 50/60Hz Available upon request)  
Power Consumption: 18W MAX  
Color Temperature: 2700-2200K (warm dim) or 3000K CCT, Note: 2700K CCT and 3500K CCT models Available Upon Request on volume orders  
Luminosity: 1250 Lumens (850 down/400 up)  
Luminaire efficacy: 70 Lumens/Watt  
Color Rendition Index: 90 CRI  
50K hour lifespan

## CERTIFICATIONS



## PRODUCT CODES (ENTER SHADE SIZE IN BLANK SPACE)

Sky Flush Dome	Wood (Black/Oak):	SKY FSH	DOM BLK OAK
Sky Flush Dome	Wood (Black/Walnut):	SKY FSH	DOM BLK WLN
Sky Flush Dome	Wood (Polished/Oak):	SKY FSH	DOM OAK
Sky Flush Dome	Wood (Polished/Walnut):	SKY FSH	DOM WLN

## PACKAGING WEIGHT AND DIMENSIONS

Sky Solo:	3.1LBS	10" X 19" X 2.4"
(Lamp)	1.4KGS	26cm X 48cm X 6cm
Sky Dome Wood 18:	3.3LBS	21.3" X 20.4" X 2.9"
(Shade)	1.4KGS	54cm X 52cm X 7.3cm
Sky Dome Wood 24:	5.5LBS	27.1" X 26.4" X 3.25"
(Shade)	2.5KGS	69cm X 67cm X 8.2cm

## NOTES

Additional finishes can be considered on volume orders



## FINISHES

### LAMP



POLISHED ALUMINUM



MATTE BLACK

### DOME



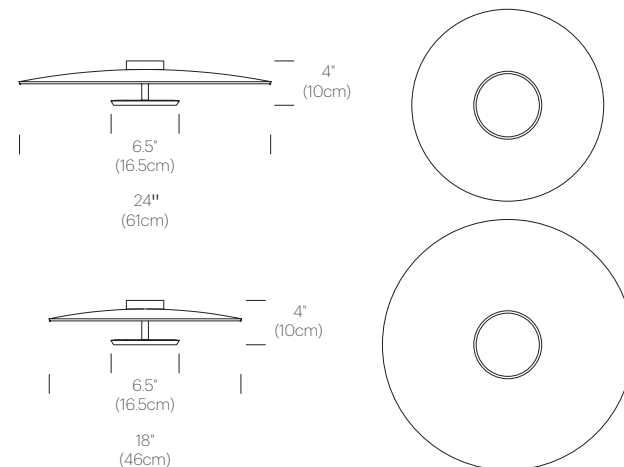
WALNUT



WHITE OAK

## DIMENSIONS

SKY DOME WOOD 18, 24



# SKY DOME FLUSH METAL

## DESCRIPTION

The Sky Collection is a modular pendant lighting system featuring multiple shade reflector solutions for various decorative and performance benefits. Sky Dome Flush is available in both spun aluminum and pressed wood shade reflectors that when combined with their powerful 2-sided LED light source gives the lamp a weightless appearance while providing unparalleled illumination in all directions. Sky Dome combined form and function with unsurpassed quality and is available in 2 sizes : 18" (45.8cm) and 24" (61cm).

## FIXTURE TYPE

Wall/Ceiling

## LIGHT SOURCE

LED Flat-Panel downlight/High-output LED array uplight

## LIGHT CONTROL

Fully dimmable Compatible with TRIAC/ELV dimmers

(0-10V dimming available upon request)

Dali compatability upon request

## FEATURES

Uplight/Downlight

Energy-efficient, flat panel technology(Glare-free illumination)

## SPECIFICATIONS

Voltage: 120 or 240V 50/60Hz

(100-277V 50/60Hz Available upon request)

Power Consumption: 18W MAX

Color Temperature: 2700-2200K (warm dim) or

3000K CCT, Note: 2700K CCT and 3500K CCT

models Available Upon Request on volume orders

Luminosity: 1250 Lumens (850 down/400 up)

Luminaire efficacy: 70 Lumens/Watt

Color Rendition Index: 90 CRI

50K hour lifespan



## CERTIFICATIONS

## PRODUCT CODES (ENTER SHADE SIZE IN BLANK SPACE)

Sky Flush Dome (Black/Black):	SKY FSH	DOM BLK BLK
Sky Flush Dome (Black/Brass):	SKY FSH	DOM BLK BRA
Sky Flush Dome (Black/White):	SKY FSH	DOM BLK WHT
Sky Flush Dome (Polished/Black):	SKY FSH	DOM BLK
Sky Flush Dome (Polished/Brass):	SKY FSH	DOM BRA
Sky Flush Dome (Polished/White):	SKY FSH	DOM WHT

## PACKAGING WEIGHT AND DIMENSIONS

Sky Solo:	3.1LBS	10" X 19" X 2.4"
(Lamp)	1.4KGS	26cm X 48cm X 6cm
Sky Dome Metal 18:	3.1LBS	21.3" X 20.4" X 2.9"
(Shade)	1.4KGS	54cm X 52cm X 7.3cm
Sky Dome Metal 24:	5.1LBS	27.1" X 26.4" X 3.25"
(Shade)	2.3KGS	69cm X 67cm X 8.2cm
Sky Dome Metal 32:	9.5LBS	35" X 34.8" X 3.9"
(Shade)	4.3KGS	89cm X 88cm X 10cm

## NOTES

Additional finishes can be considered on volume orders



## FINISHES

### LAMP



POLISHED ALUMINUM



MATTE BLACK

### DOME



BLACK



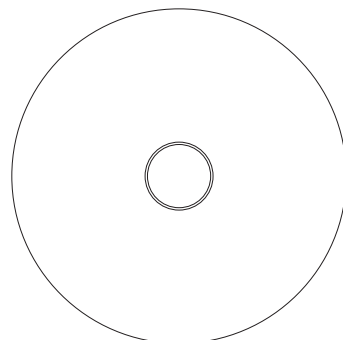
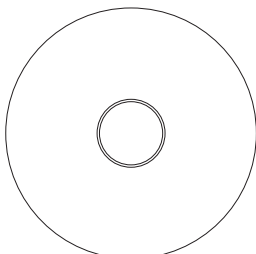
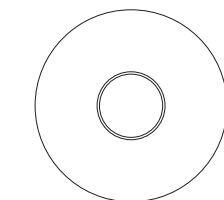
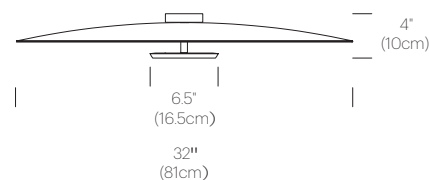
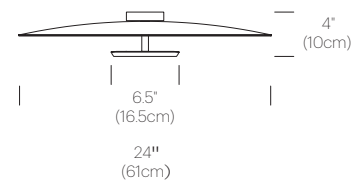
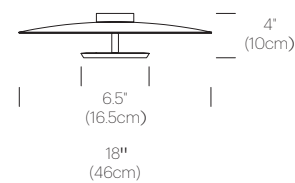
WHITE



SATIN BRASS

## DIMENSIONS

SKY DOME FLUSH METAL 18, 24, 32





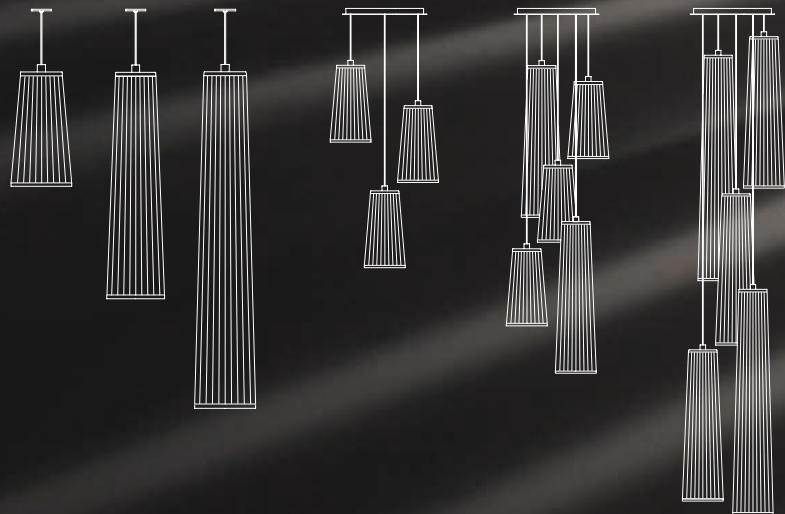




# SOLIS

In creating Solis, designer Carmine Deganello set out to engage with light in its archetypal form: the sun's rays. The resulting piece is an engaging blend of light and shadows, casting shimmering rays and radiating patterns onto a space. The effect is a sense of weightlessness — and a redefined environment that invites a new kind of relationship with the light source. A suspension lamp made of lightweight polyester fabric and stainless steel, Solis can be used as a pendant or hung from a wall.

Designer:  
Carmine Deganello 2009/2010





# SOLIS PENDANT



## DESCRIPTION

Solis is an innovatively simple and elegant suspension lamp that can be used as a pendant or hung from a wall to create a distinctive ambiance. The resulting piece is an engaging blend of light and shadow, casting shimmering rays and radiating patterns onto a space.

## FIXTURE TYPE

Pendant

## LIGHT SOURCE

US		EU	
Brand: GREENCREATIVE		Brand: PHILIPS	
11W LED		9.5W LED	
2700K		2700K	
E26/PAR30		E27/PAR30	
950Lm		650Lm	

## LIGHT CONTROL

Full range dim (in-line slide dimmer)  
 Compatible with TRIAC/ELV dimmers  
 Can be hard-wired  
 Dali compatibility upon request

## FEATURES

Ships flat-packed  
 Full-range dim

## SPECIFICATIONS

Voltage: 120V or 240V 50/60Hz  
 Color Rendition Index: 90 CRI  
 Fire retardant polyester fabric  
 Cable length: 16' (488cm) (Field Cuttable)

## CERTIFICATIONS

UL listed components

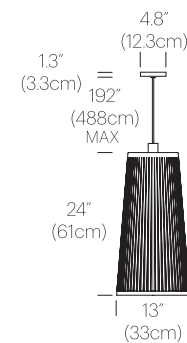


## FINISHES

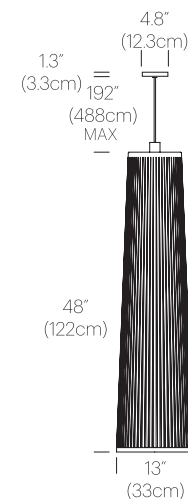


## DIMENSIONS

SOLIS 24



SOLIS 48



SOLIS 72



## PRODUCT CODES

Solis 24 (White):	SOLI 24 WHT
Solis 24 (Black):	SOLI 24 BLK
Solis 24 (Silver):	SOLI 24 SLV
Solis 48 (White):	SOLI 48 WHT
Solis 48 (Black):	SOLI 48 BLK
Solis 48 (Silver):	SOLI 48 SLV
Solis 72 (White):	SOLI 72 WHT
Solis 72 (Black):	SOLI 72 BLK
Solis 72 (Silver):	SOLI 72 SLV
Solis Wall Plate Cover:	SOLI WALL HW CVR

## PACKAGING WEIGHT AND DIMENSIONS

Solis 24/48/72:	8.6LBS	14.5" X 13.5" X 8.5"
	3.9KGS	37cm X 34cm X 22cm

## NOTES

Custom requests can be considered on volume orders

# SOLIS CHANDELIER



## DESCRIPTION

Solis is an innovatively simple and elegant suspension lamp that can be hung in groupings of 3 and 5 fixtures to create a striking composition. The resulting piece is an engaging blend of light and shadow, casting shimmering rays and radiating patterns onto a space.

## FIXTURE TYPE

Chandelier

## LIGHT SOURCE

US		EU	
Brand: GREENCREATIVE		Brand: PHILIPS	
11W LED		9.5W LED	
2700K		2700K	
E26/PAR30		E27/PAR30	
950Lm		650Lm	

## LIGHT CONTROL

Hard-wired, dimmable  
Compatible with TRIAC/ELV dimmers  
Dali compatibility upon request

## FEATURES

Ships flat-packed  
Full-range dim

## SPECIFICATIONS

Voltage: 120V or 240V 50/60Hz  
Color Rendition Index: 90 CRI  
Fire retardant polyester fabric  
Cable length: 16' (488cm) (Field Cuttable)

## CERTIFICATIONS

UL listed components



## PRODUCT CODES

Solis 24 (White):	SOLI 24 WHT
Solis 24 (Black):	SOLI 24 BLK
Solis 24 (Silver):	SOLI 24 SLV
Solis 48 (White):	SOLI 48 WHT
Solis 48 (Black):	SOLI 48 BLK
Solis 48 (Silver):	SOLI 48 SLV
Solis 72 (White):	SOLI 72 WHT
Solis 72 (Black):	SOLI 72 BLK
Solis 72 (Silver):	SOLI 72 SLV
26" Chandelier Canopy:	CHND CAN 26

## PACKAGING WEIGHT AND DIMENSIONS

Solis 24/48/72:	8.6LBS	14.5" X 13.5" X 8.5"
	3.9KGS	37cm X 34cm X 22cm
Chandelier canopy 26":	30LBS	32" X 32" X 6"
	13.6KGS	81cm X 81cm X 15cm

## NOTES

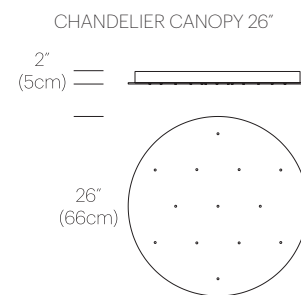
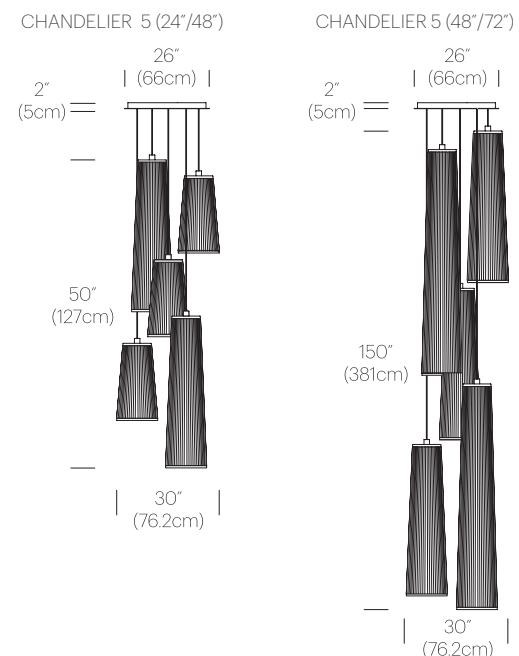
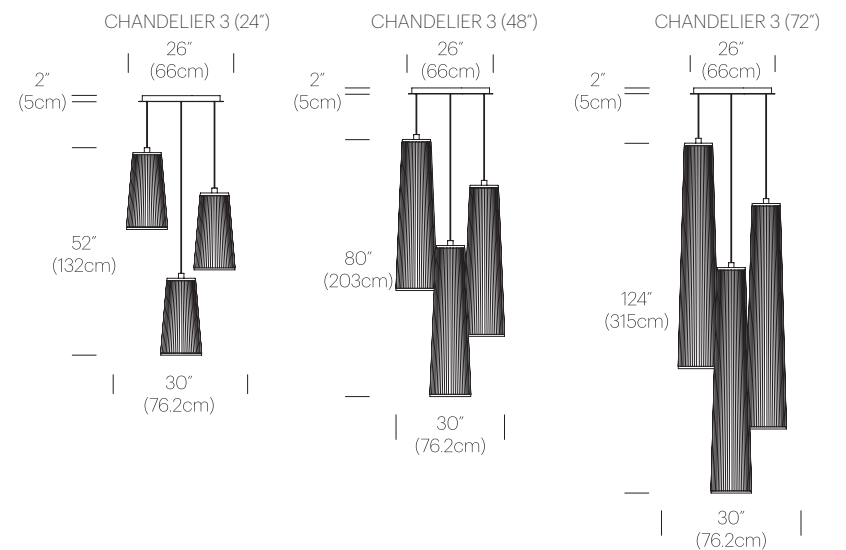
Custom requests can be considered on volume orders



## FINISHES



## DIMENSIONS

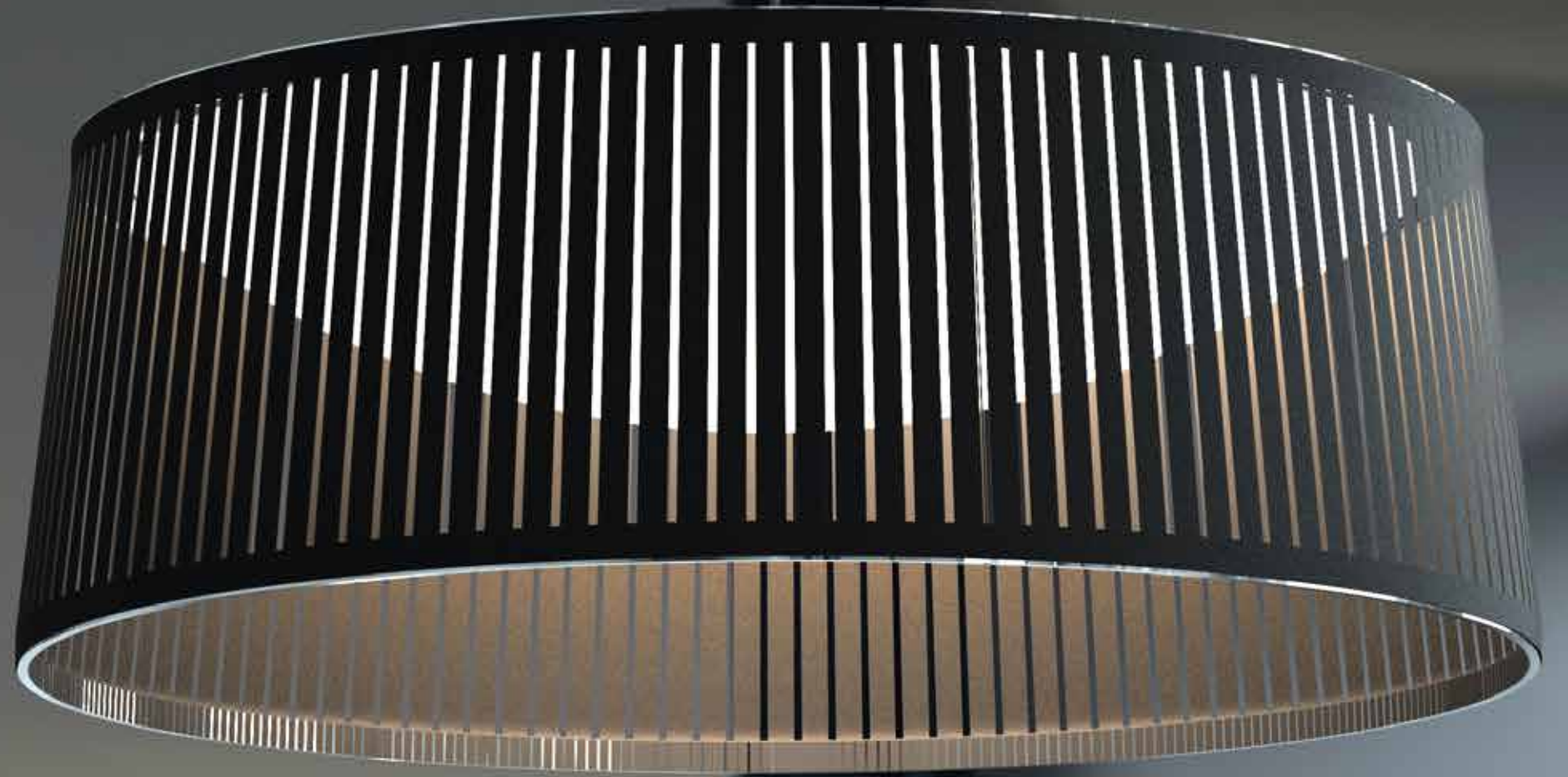




# SOLIS DRUM

The new Solis Drum Pendant is the latest addition to the elegant Solis suspension family. Featuring a uniquely engaging blend of light and shadow, Solis Drum is made of laser cut polyester fabric combined with an aluminum top and bottom ring construction that allows the shade to hang under tension. Solis Drum also employs a stunning LED dome diffuser that spans the diameter of the top ring, radiating light down and sideways to cast shimmering warm patterns onto the space that surrounds it. The effect is a sense of weightlessness that invites a new kind of relationship with the light source. Perfect over a dining table, an entryway or in large groupings.

Designer:  
Carmine Deganello + Pablo Studio 2016



# SOLIS DRUM 24/36

## DESCRIPTION

The new Solis Drum Pendant is the latest addition to the elegant Solis suspension family. Featuring a uniquely engaging blend of light and shadow, Solis Drum is made of laser cut polyester fabric combined with an aluminum top and bottom ring construction that allows the shade to hang under tension. Solis Drum also employs a stunning LED dome diffuser that spans across the full diameter of the top ring, radiating light down and sideways to cast shimmering warm patterns onto the space that surrounds it. The effect is a sense of weightlessness that invites a new kind of relationship with the light source. Perfect over a dining table, an entryway or in large groupings.

## FIXTURE TYPE

Pendant

## LIGHT SOURCE

High-output LED array

## LIGHT CONTROL

Hard-wired, dimmable  
 Compatible with TRIAC/ELV dimmers  
 (0-10V dimming available upon request)  
 Dali compatibility upon request

## FEATURES

Ships flat-packed  
 Full-range dim with ELV dimmers  
 Fire retardant polyester fabric

## SPECIFICATIONS

Voltage: 120-277V 50-60Hz  
 Power Consumption: 35W (24"), 80W (36")  
 Color Temperature: 2700K  
 Luminosity: 2500 Lumens (24"), 5600 Lumens (36")  
 Luminaire efficacy: 71 Lumens/Watt  
 Color Rendition Index: 90 CRI  
 50K hour lifespan  
 Cable length: 10' (305cm) (Field Cuttable)

## CERTIFICATIONS



## PRODUCT CODES

Solis Drum 24 (White):	SOLI DR 24 WHT
Solis Drum 24 (Black):	SOLI DR 24 BLK
Solis Drum 24 (Silver):	SOLI DR 24 SLV
Solis Drum 36 (White):	SOLI DR 36WHT
Solis Drum 36 (Black):	SOLI DR 36 BLK
Solis Drum 36 (Silver):	SOLI DR 36 SLV

## PACKAGING WEIGHT AND DIMENSIONS

Solis Drum 24:	11LBS	26" X 26" X 6"
	5KGS	61cm X 61cm X 15cm
Solis Drum 36:	16.4LBS	38" X 38" X 8"
	7.5KGS	96.5cm X 96.5cm X 20.3cm

## NOTES

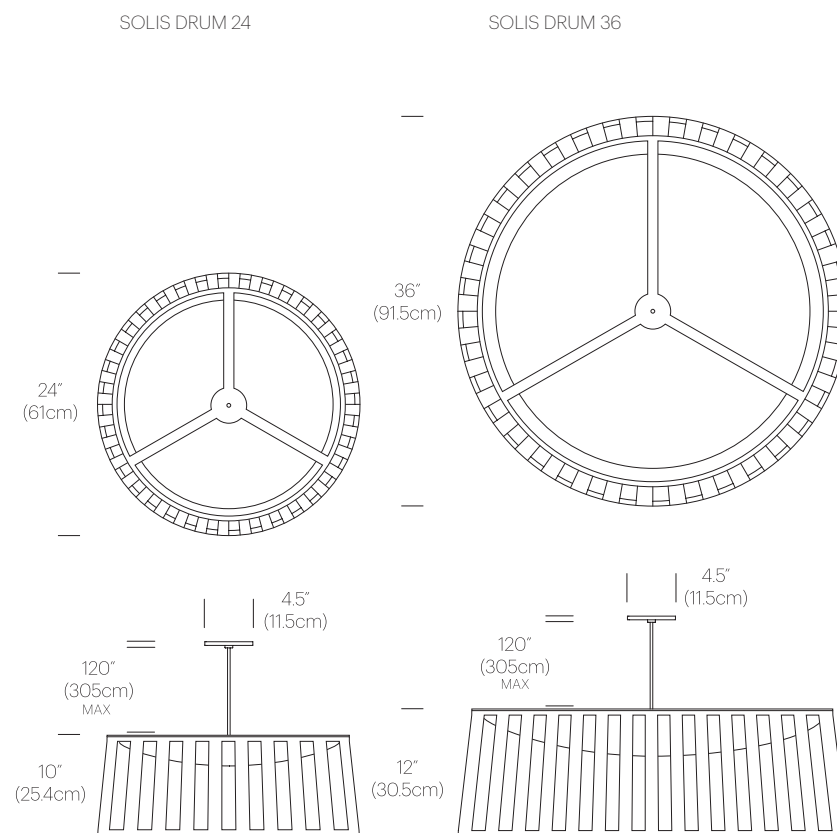
Custom requests can be considered on volume orders  
 3000K, 3500k and other color temperatures available upon request



## FINISHES



## DIMENSIONS





# SOLIS DRUM FLUSH 24/36

## DESCRIPTION

The new Solis Drum Pendant is the latest addition to the elegant Solis suspension family. Featuring a uniquely engaging blend of light and shadow, Solis Drum is made of laser cut polyester fabric combined with an aluminum top and bottom ring construction that allows the shade to hang under tension. Solis Drum also employs a stunning LED dome diffuser that spans across the full diameter of the top ring, radiating light down and sideways to cast shimmering warm patterns onto the space that surrounds it. The effect is a sense of weightlessness that invites a new kind of relationship with the light source. Perfect over a dining table, an entryway or in large groupings.

## FIXTURE TYPE

Ceiling

## LIGHT SOURCE

High-output LED array

## LIGHT CONTROL

Hard-wired, dimmable  
 Compatible with TRIAC/ELV dimmers  
 (0-10V dimming available upon request)  
 Dali compatibility upon request

## FEATURES

Ships flat-packed  
 Full-range dim with ELV dimmers  
 Fire retardant polyester fabric

## SPECIFICATIONS

Voltage: 120-277V 50-60Hz  
 Power Consumption: 35W (24"), 80W (36")  
 Color Temperature: 2700K  
 Luminosity: 2500 Lumens (24"), 5600 Lumens (36")  
 Luminaire efficacy: 71 Lumens/Watt  
 Color Rendition Index: 90 CRI  
 50K hour lifespan

## CERTIFICATIONS



## PRODUCT CODES

Solis Drum 24 (White):	SOLI DR FSH 24 WHT
Solis Drum 24 (Black):	SOLI DR FSH 24 BLK
Solis Drum 24 (Silver):	SOLI DR FSH 24 SLV
Solis Drum 36 (White):	SOLI DR FSH 36 WHT
Solis Drum 36 (Black):	SOLI DR FSH 36 BLK
Solis Drum 36 (Silver):	SOLI DR FSH 36 SLV

## PACKAGING WEIGHT AND DIMENSIONS

Solis Drum 24:	11LBS	26" X 26" X 6"
	5KGS	61cm X 61cm X 15cm
Solis Drum 36:	16.4LBS	38" X 38" X 8"
	7.5KGS	96.5cm X 96.5cm X 20.3cm

## NOTES

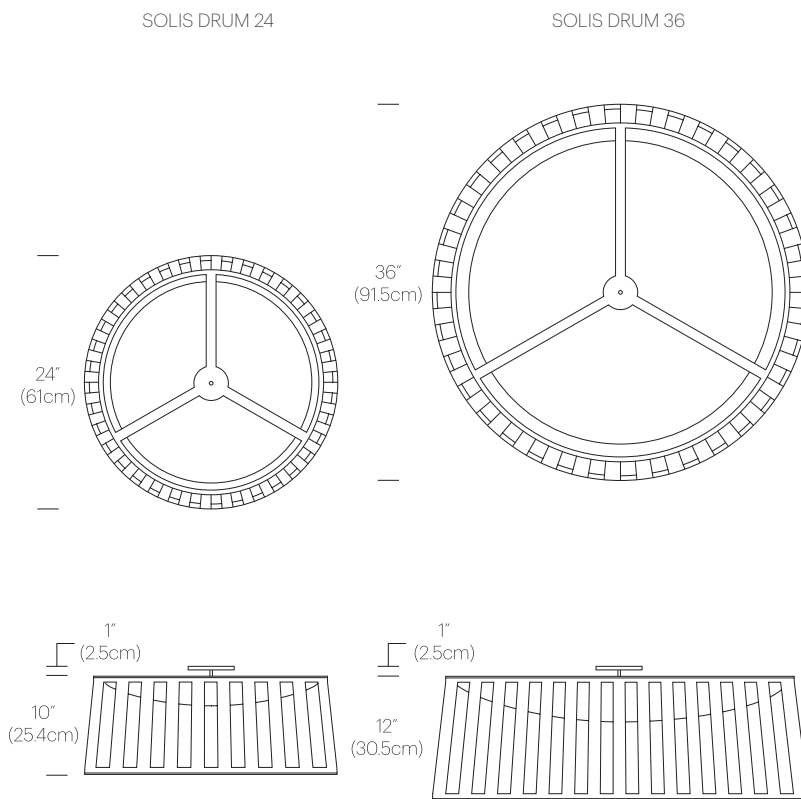
Custom requests can be considered on volume orders  
 3000K, 3500k and other color temperatures available upon request



## FINISHES



## DIMENSIONS





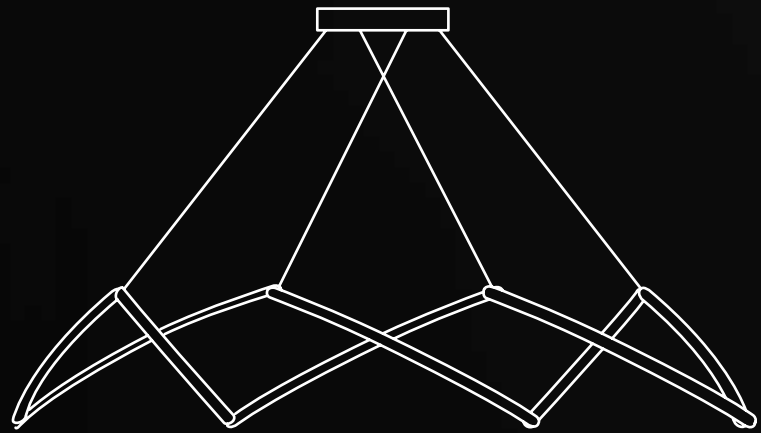
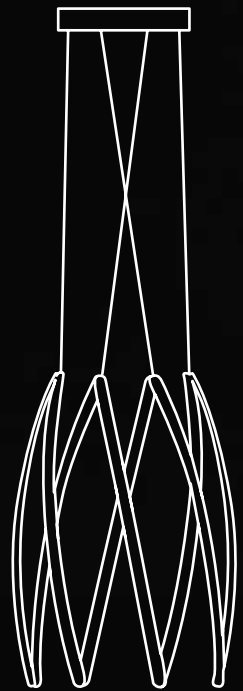
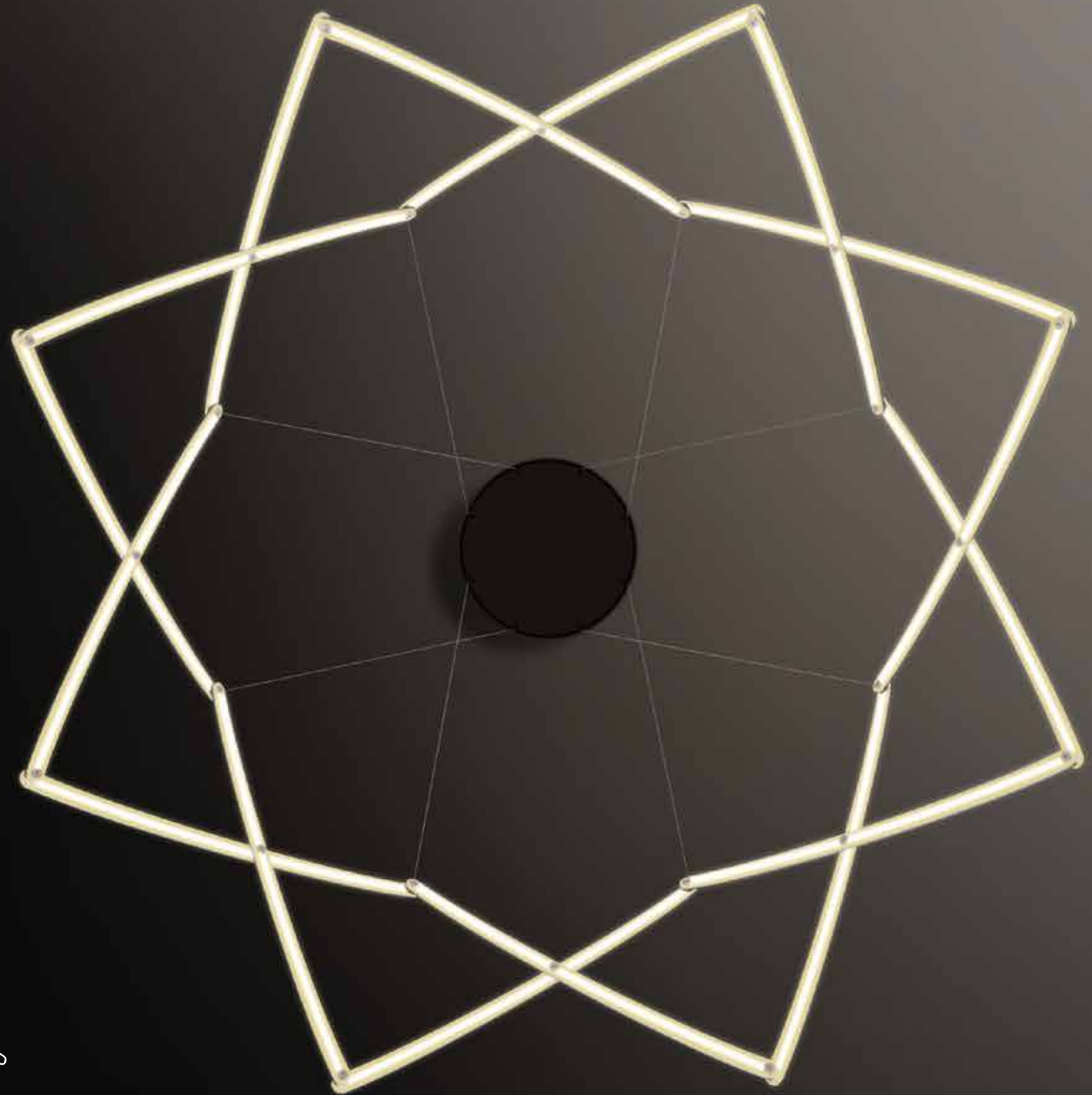


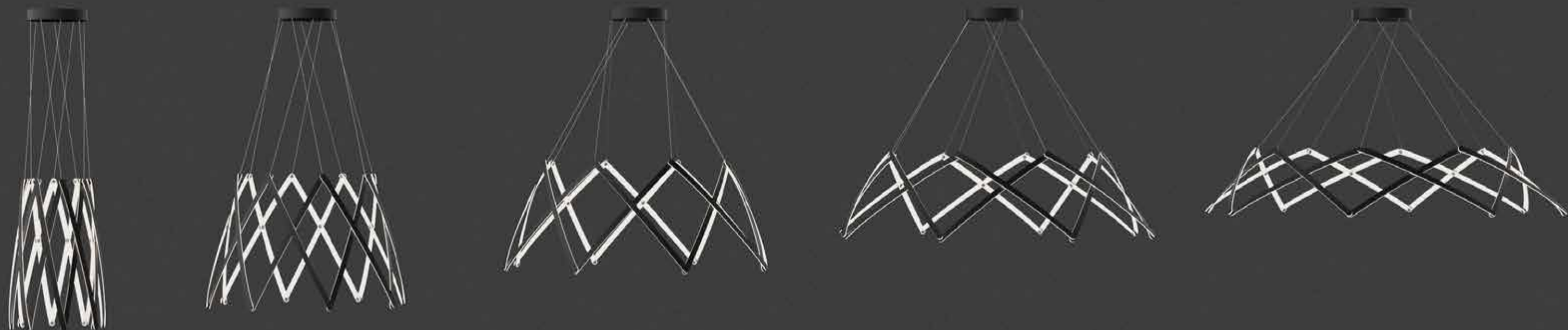


# STELLA

Stella is a dynamic pendant light that can be effortlessly expanded to a wide range of sizes from 10" (25.4 cm) to 55" (140cm) in diameter depending on user needs. Made up of multiple interwoven aluminum arm segments with strategically placed pivot joints, this dynamic fixture transforms from inward facing illumination to downward facing direct lighting when expanded outward. Stella's highly versatile suspension system also allows for inverting the fixture to provide upward facing direct lighting, all in a single fixture. Stella is offered in matte black and matte ivory white painted finishes. Its playful and highly interactive design invites a new kind of relationship with the light source. Ideally suited over table surfaces, entryway foyers, or in expansive chandelier groupings.

Designer:  
Pablo Pardo + Fernando Pardo + Pablo Studio 2024





STELLA IS INFINITELY ADJUSTABLE AND CAN EXPAND FROM 10" (25cm)  
TO 55" (140CM) IN DIAMETER.



# STELLA

## DESCRIPTION

Stella is a dynamic pendant light that can be effortlessly expanded to a wide range of sizes from 10" (25.4 cm) to 55" (140cm) in diameter depending on user needs. Made up of multiple interwoven aluminum arm segments with strategically placed pivot joints, this dynamic fixture transforms from inward facing illumination to downward facing direct lighting when expanded outward. Stella's highly versatile suspension system also allows for inverting the fixture to provide upward facing indirect lighting, all in a single fixture. Stella is offered in matte black and matte ivory white painted finishes. Its playful and highly interactive design invites a new kind of relationship with the light source. Ideally suited over table surfaces, entryway foyers, or in expansive chandelier groupings.

## FIXTURE TYPE

Pendant

## LIGHT SOURCE

Linear COB

## LIGHT CONTROL

Hard-wired, dimmable  
Compatible with TRIAC/ELV and 0-10V dimmers

## FEATURES

Expandable shade  
Transforms from ambient to direct lightsource  
Fully dimmable

## SPECIFICATIONS

Voltage: 120-277V 50/60Hz  
Power Consumption: 45W  
Color Temperature: 2700K or 3000K  
Luminosity: 1700 Lumens  
Luminaire Efficacy: 38 Lumens/Watt  
Color Rendition Index: 90 CRI  
Title 20 compliant  
50K hour lifespan  
Cord length 10' (305cm)

## CERTIFICATIONS

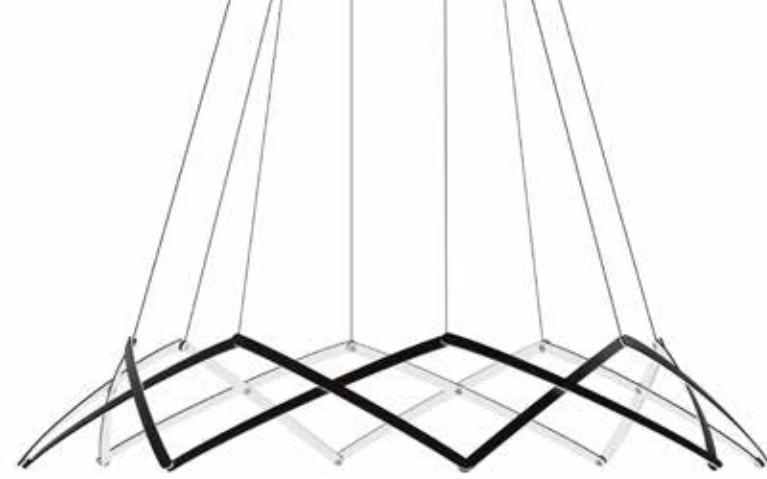


## PACKAGING WEIGHT AND DIMENSIONS

Stella 16	12LBS	14" X 14" X 25.5"
	5.4KG	36cm X 36cm X 65cm

## NOTES

Custom requests can be considered on volume orders  
**\*Available Fall 2024**



## FINISHES

LAMP AND CANOPY



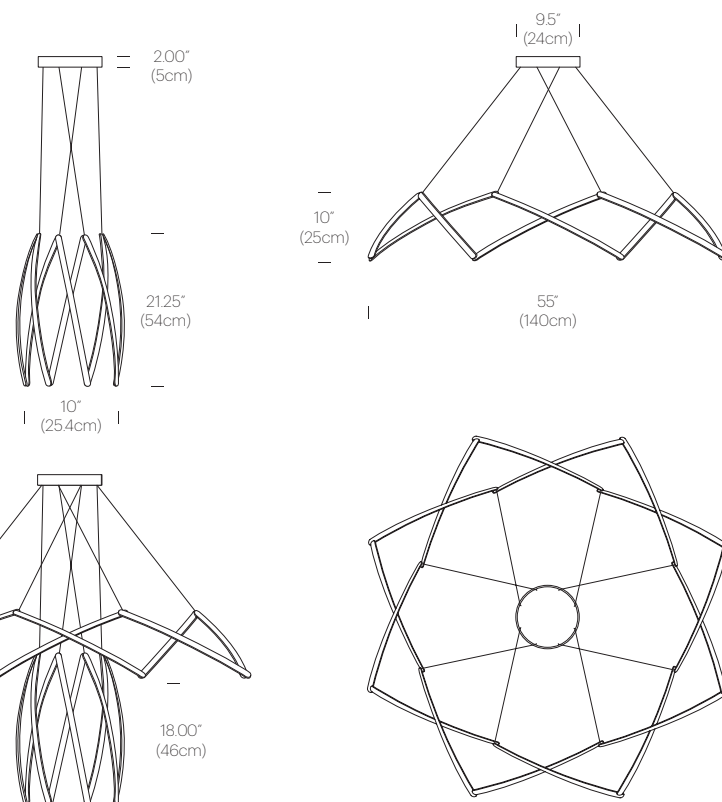
BLACK



WHITE

## DIMENSIONS

STELLA 16











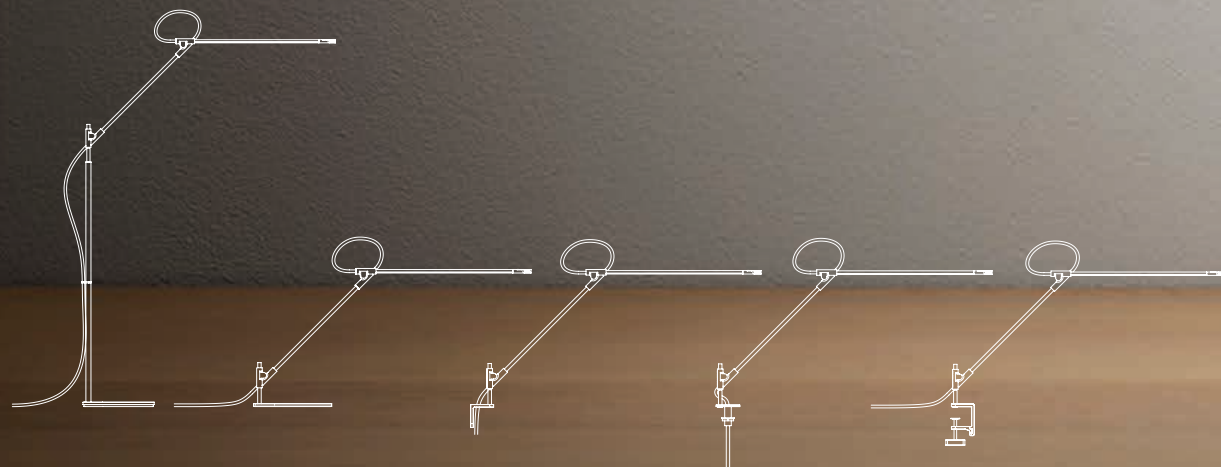


# SUPERLIGHT

Superlight balances the demands of both workplace and home with a combination of minimal form and maximal function. Superlight is a task light reduced to its essence. A gestural line in space resulting in a precise yet playful structure defying gravity with an appearance of near weightlessness. Superlight achieves fluid, sweeping movement in every direction with a full 3-axis range of motion providing warm, glare-free LED light exactly where you need it. Superlight is available as a desk, floor, wall, clamp or grommet mounted fixture.

Designers:  
Peter Stathis + Matthew Boyko 2017

Awards:  
2017 Good Design Award  
2017 Finalist HIP Award





# SUPERLIGHT TABLE

## DESCRIPTION

Superlight balances the demands of both workplace and home with a combination of minimal form and maximal function. Superlight is a task light reduced to its essence. A gestural line in space resulting in a precise yet playful structure defying gravity with an appearance of near weightlessness. Superlight achieves fluid, sweeping movement in every direction with a full 3-axis range of motion providing warm, glare-free LED light exactly where you need it. Superlight is available as a desk, floor, wall, clamp or grommet mounted fixture.

## FIXTURE TYPE

Table

## LIGHT SOURCE

High-output LED array

## LIGHT CONTROL

Full range dim control

## FEATURES

3-axis rotation at each joint

Ultra-light minimal frame

4 colored base pads

Advanced LED array eliminates multiple shadows

Ships flat-packed

## SPECIFICATIONS

Voltage: 120-240V 50-60Hz

Power consumption: 8.5W

Color temperature: 3000K

Luminosity: 700 Lumens

Luminaire efficacy: 81 Lumens/watt

Color rendition index: 90+ CRI

50K hour lifespan

Cable length: 9' (274cm)

Global multi-plug adapter available

Title 20 compliant

Patent pending

## CERTIFICATIONS



## PRODUCT CODES

Superlight Table (White):	SUPE TBL WHT
Superlight Table (Black):	SUPE TBL BLK
Superlight Clamp (White):	SUPE CLP WHT
Superlight Clamp (Black):	SUPE CLP BLK
Superlight Grommet (White):	SUPE GROM WHT
Superlight Grommet (Black):	SUPE GROM BLK
Superlight Wall (White):	SUPE WALL WHT
Superlight Wall (Black):	SUPE WALL BLK

## PACKAGING WEIGHT AND DIMENSIONS

Superlight Table:	8.3LBS	28" X 9" X 3.5"
	3.7KGS	71cm X 23cm X 9cm

## NOTES

Custom requests can be considered on volume orders

216 Pablo

AVAILABLE GLOBALLY

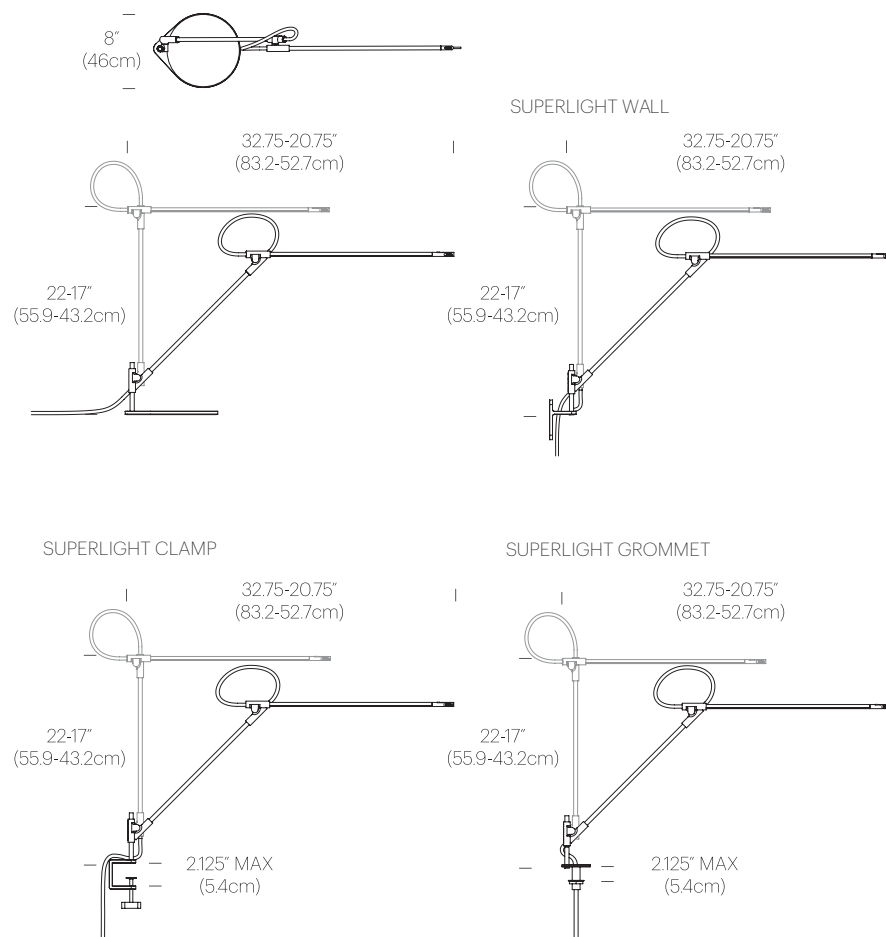


## FINISHES



## DIMENSIONS

### SUPERLIGHT TABLE



Pablo 217



# SUPERLIGHT FLOOR

## DESCRIPTION

Superlight balances the demands of both workplace and home with a combination of minimal form and maximal function. Superlight is a task light reduced to its essence. A gestural line in space resulting in a precise yet playful structure defying gravity with an appearance of near weightlessness. Superlight achieves fluid, sweeping movement in every direction with a full 3-axis range of motion providing warm, glare-free LED light exactly where you need it. Superlight is available as a desk, floor, wall, clamp or grommet mounted fixture.

## FIXTURE TYPE

Floor

## LIGHT SOURCE

High-output LED array

## LIGHT CONTROL

Full range dim control

## FEATURES

- 3-axis rotation at each joint
- Ultra-light minimal frame
- Felt base pad
- Advanced LED array eliminates multiple shadows
- Ships flat-packed

## SPECIFICATIONS

- Voltage: 120-240V 50-60Hz
- Power consumption: 8.5W
- Color temperature: 3000K
- Luminosity: 700 Lumens
- Luminaire efficacy: 81 Lumens/watt
- Color rendition index: 90+ CRI
- 50K hour lifespan
- Cable length: 9' (274cm)
- Global multi-plug adapter available
- Title 20 compliant
- Patent pending

## CERTIFICATIONS



## PRODUCT CODES

Superlight Floor (White):	SUPE FLR WHT
Superlight Floor (Black):	SUPE FLR BLK

## PACKAGING WEIGHT AND DIMENSIONS

Superlight Floor:	12.5LBS	28" X 9" X 3.5"
	5.7KGS	71cm X 23cm X 9cm

## NOTES

Custom requests can be considered on volume orders



## FINISHES



WHITE



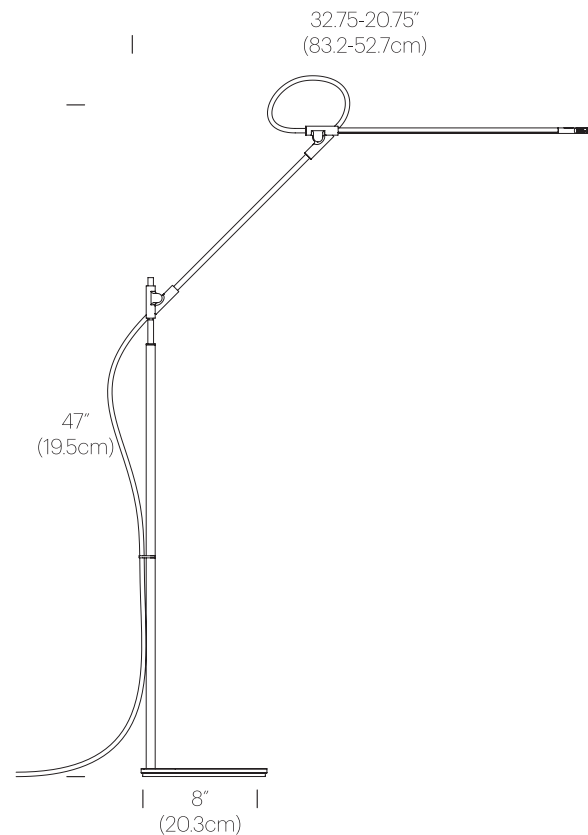
BLACK



CHARCOAL

## DIMENSIONS

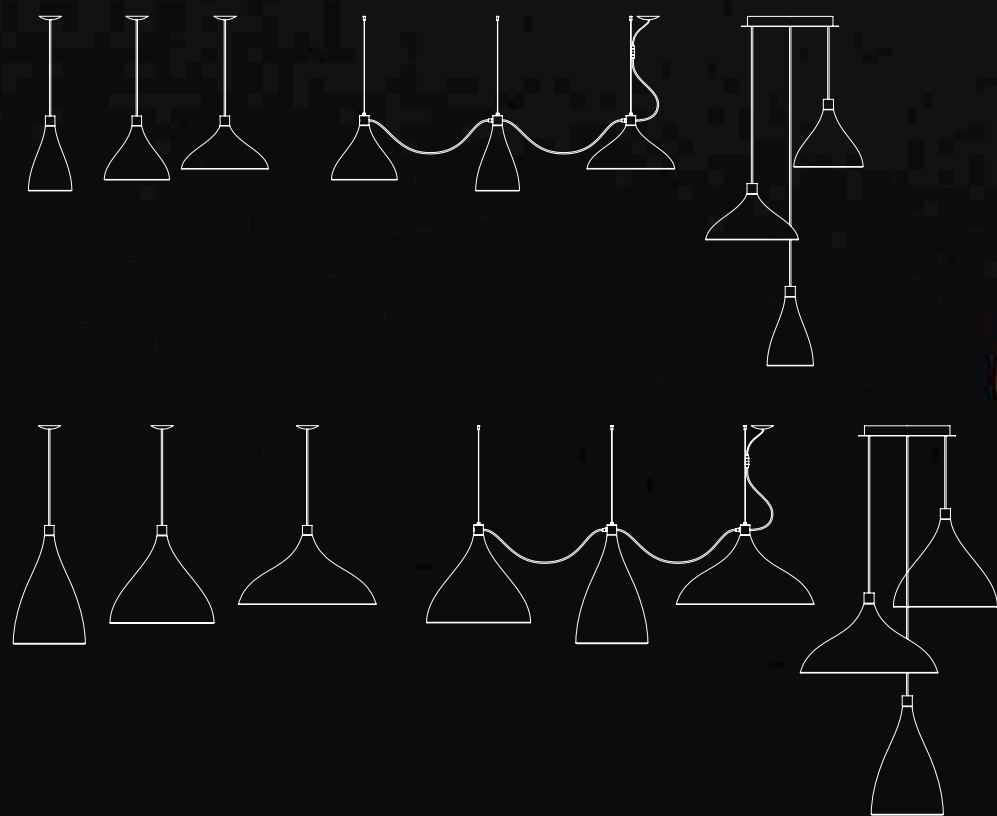
SUPERLIGHT FLOOR



# SWELL/SWELL XL

Elegant and infinitely flexible, Swell is a modular LED lighting system designed to seamlessly blend the line between indoor and outdoor lighting. Formed from spun aluminum, Swell's 3 shade designs pair fluid, undulating lines with a radiant brass interior and can be mixed and matched to create dynamic groupings. Swell can be suspended individually, as a chandelier or as inter-connectable shade strings to perfectly complement residential, commercial, lounge and hospitality settings alike. Swell is also available in stunning XL sizes for spaces that demand exceptional scale.

Designer:  
Pablo Studio 2015





# SWELL SINGLE



## DESCRIPTION

Elegant with undulating contours, Swell Single is an LED pendant designed to seamlessly blend the line between indoor and outdoor lighting. Swell single can be suspended individually or as a chandelier grouping to perfectly complement residential, commercial, lounge and hospitality settings alike. Swell is also available in stunning XL sizes for spaces that demand exceptional scale.

## FIXTURE TYPE

Pendant

## LIGHT SOURCE

US		EU	
Brand: <b>SATCO</b>		Brand: <b>PHILIPS</b>	
11W LED		9.5W LED	
3000K		2700K	
E26/PAR30		E27/PAR30	
1000Lm		650Lm	

## LIGHT CONTROL

Hard-wired, dimmable (Compatible with TRIAC/ELV dimmers)  
Dali compatibility upon request

## FEATURES

Fully dimmable  
For indoor and outdoor use  
Damp rated

## SPECIFICATIONS

Voltage: 120V or 240V 60Hz  
Power consumption: 13W  
Color temperature: 3000K  
Luminosity: 1050 Lumens  
Luminaire efficacy: 81 Lumens/Watt  
Color Rendition Index: 95 CRI  
40K hour lifespan  
Cable length: 10' (305cm)  
Title 20/Title 24 compliant  
Dark Sky compliant

## CERTIFICATIONS



## PRODUCT CODES (ENTER NRW,MED, OR WID IN BLANK SPACE)

Swell Single	(White/Brass):	SWEL SNG	WHT/BRA
Swell Single	(Black/Brass):	SWEL SNG	BLK/BRA
Swell Single	(Brass/Brass):	SWEL SNG	BRA/BRA
Swell Single XL	(White/Brass):	SWEL SNG XL	WHT/BRA
Swell Single XL	(Black/Brass):	SWEL SNG XL	BLK/BRA
Swell Single XL	(Brass/Brass):	SWEL SNG XL	BRA/BRA

## PACKAGING WEIGHT AND DIMENSIONS

Swell Narrow:	6LBS	17" X 17" X 15"
	2.7KGS	43cm X 43cm X 38cm
Swell Medium:	6LBS	17" X 17" X 15"
	2.7KGS	43cm X 43cm X 38cm
Swell Wide:	6LBS	17" X 17" X 15"
	2.7KGS	43cm X 43cm X 38cm
Swell XL Narrow:	6.6LBS	14" X 14" X 20"
	2.7KGS	36cm X 36cm X 51cm
Swell XL Medium:	7.6LBS	20" X 20" X 18"
	3.4KGS	51cm X 51cm X 46cm
Swell XL Wide:	10LBS	26" X 26" X 14"
	4.5KGS	66cm X 66cm X 36cm

## NOTES

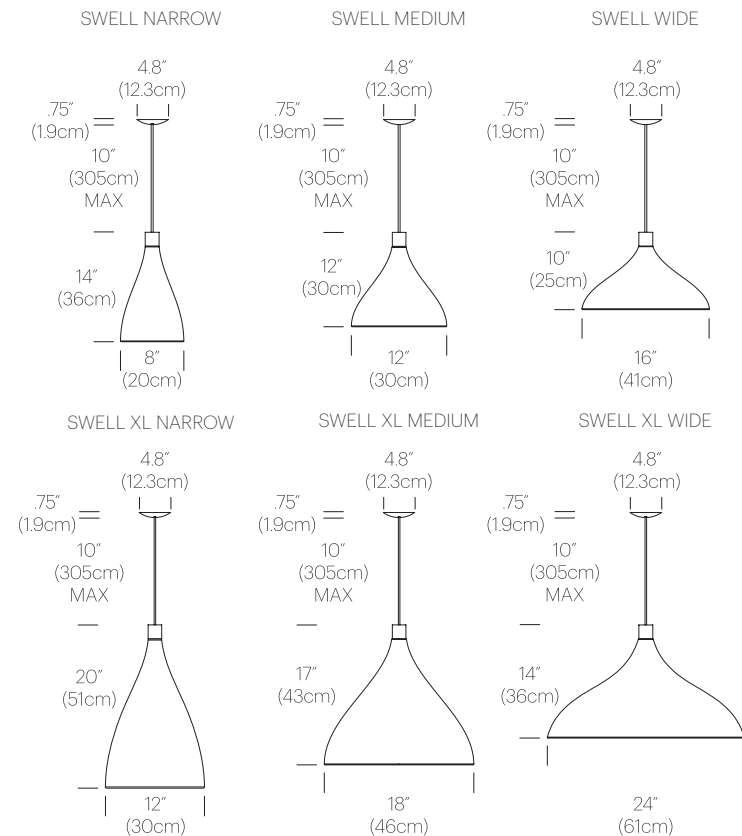
Custom requests can be considered on volume orders



## FINISHES



## DIMENSIONS





# SWELL STRING 3 MIXED



## DESCRIPTION

Elegant and infinitely flexible, Swell String is a modular LED lighting system designed to seamlessly blend the line between indoor and outdoor lighting. Swell String's three shade design can be mixed and matched to create dynamic groupings. Swell String can be suspended both vertically and horizontally in configurations of up to (34) lamps from a single power source to perfectly complement residential, commercial, lounge and hospitality settings alike. Swell is also available in stunning XL sizes for spaces that demand exceptional scale.

## FIXTURE TYPE

Pendant

## LIGHT SOURCE

US		EU	
Brand: <b>SATCO</b>		Brand: <b>PHILIPS</b>	
11W LED		9.5W LED	
3000K		2700K	
E26/PAR30		E27/PAR30	
1000Lm		650Lm	

## LIGHT CONTROL

Hard-wired, dimmable (Compatible with TRIAC/ELV dimmers)  
Dali compatibility upon request

## FEATURES

Damp rated For indoor and outdoor use

## SPECIFICATIONS

Voltage: 120V or 240V 60Hz  
Power consumption: 13W  
Color temperature: 3000K  
Luminosity: 1050 Lumens  
Luminaire efficacy: 81 Lumens/Watt  
Color Rendition Index: 95 CRI  
40K hour lifespan  
(3x) 10' (305cm) vertical mounting kit cable included  
30' (915cm) horizontal mounting kit cable sold separately  
8' (244cm) power feed cable and canopy included  
Horizontal mounting kit supports 12 lamps MAX  
MAX interconnected 14.5W lamps: 34  
Title 20/Title 24 compliant  
Dark Sky compliant

## CERTIFICATIONS



## PRODUCT CODES

Swell String Mixed (White/Brass)	SWELSTRMIXWHT/BRA
Swell String Mixed (Black/Brass)	SWELSTRMIXBLK/BRA
Swell String Mixed (Brass/Brass)	SWELSTRMIXBRA/BRA
Swell XL String Mixed (White/Brass)	SWELSTRXL MIX WHT/BRA
Swell XL String Mixed (Black/Brass)	SWELSTRXL MIX BLK/BRA
Swell XL String Mixed (Brass/Brass)	SWELSTRXL MIX BRA/BRA
Swell 12' Extension Cable (White)	SWELSTRACCEXT12WHT
Swell 12' Extension Cable (Black)	SWELSTRACCEXT12BLK
Swell Horizontal Mounting Kit	SWELHRZMOUNT

## PACKAGING WEIGHT AND DIMENSIONS

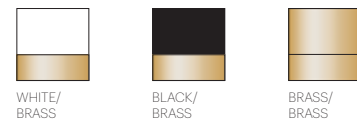
Swell String 3 Mixed:	12.3LBS	16.5" X 16" X 14.5"
	5.6KGS	42cm X 41cm X 37cm
Swell XL Narrow:	6.6LBS	14" X 14" X 20"
	2.7KGS	36cm X 36cm X 51cm
Swell XL Medium:	7.6LBS	20" X 20" X 18"
	3.4KGS	51cm X 51cm X 46cm
Swell XL Wide:	10LBS	26" X 26" X 14"
	4.5KGS	66cm X 66cm X 36cm

## NOTES

Custom requests can be considered on volume orders

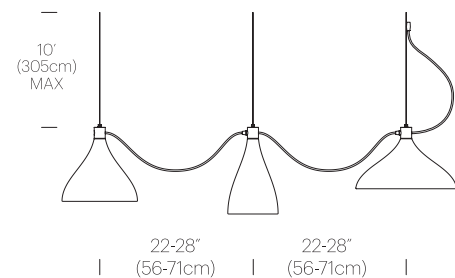


## FINISHES

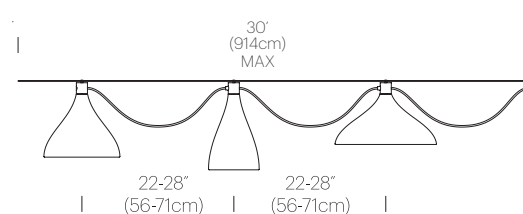


## DIMENSIONS

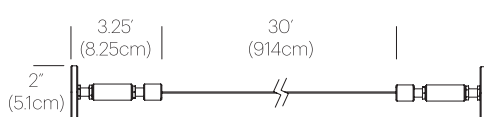
### SWELL STRING 3 MIXED VERTICAL



### SWELL STRING 3 MIXED HORIZONTAL



### HORIZONTAL MOUNTING KIT



### 12" JUMPER CABLE





# SWELL STRING SINGLE



## DESCRIPTION

Elegant and infinitely flexible, Swell String Single is a modular LED lighting system designed to seamlessly blend the line between indoor and outdoor lighting. Swell String Single allows infinite customization, pick your own collection to create a dramatic and personal grouping to fit any environment. Swell String Single can be suspended both vertically and horizontally in configurations of up to (34) lamps from a single power source to perfectly complement residential, commercial, lounge and hospitality settings alike. Swell is also available in stunning XL sizes for spaces that demand exceptional scale.

## FIXTURE TYPE

Pendant

## LIGHT SOURCE

US		EU	
Brand: <b>SATCO</b>		Brand: <b>PHILIPS</b>	
11W LED		9.5W LED	
3000K		2700K	
E26/PAR30		E27/PAR30	
1000Lm		650Lm	

## LIGHT CONTROL

Hard-wired, dimmable (Compatible with TRIAC/ELV dimmers)

Dali compatibility upon request

## FEATURES

Damp rated For indoor and outdoor use

Interconnectable sockets

## SPECIFICATIONS

Voltage: 120V or 240V 60Hz

Power consumption: 13W

Color temperature: 3000K

Luminosity: 1050 Lumens

Luminaire efficacy: 81 Lumens/Watt

Color Rendition Index: 95 CRI

40K hour lifespan

(1x) 10' (305cm) vertical mounting kit cable included

30' (915cm) horizontal mounting kit cable sold separately

8' (244cm) power feed cable and canopy sold separately

Horizontal mounting kit supports 12 lamps MAX

MAX interconnected 14.5W lamps: 34

Title 20/Title 24 compliant

Dark Sky compliant

## CERTIFICATIONS



## PRODUCT CODES (ENTER NRW, MED, OR WID IN BLANK SPACE)

Swell String Single	(White/Brass):	SWEL STR SNG	WHT/BRA
Swell String Single	(Black/Brass):	SWEL STR SNG	BLK/BRA
Swell String Single	(Brass/Brass):	SWEL STR SNG	BRA/BRA
Swell XL String Single	(White/Brass):	SWEL STR SNG XL	WHT/BRA
Swell XL String Single	(Black/Brass):	SWEL STR SNG XL	BLK/BRA
Swell XL String Single	(Brass/Brass):	SWEL STR SNG XL	BRA/BRA
Swell Power Feed and Canopy (White):		SWEL STR ACC KIT WHT	
Swell Power Feed and Canopy (Black):		SWEL STR ACC KIT BLK	
Swell 12" Extension Cable (White):		SWEL STR ACC EXT 12 WHT	
Swell 12" Extension Cable (Black):		SWEL STR ACC EXT 12 BLK	
Swell Horizontal Mounting Kit:		SWEL HRZ MOUNT	

## PACKAGING WEIGHT AND DIMENSIONS

Swell String Single:	5.25LBS	15.5" X 16" X 14.5"
	2.4KGS	39cm X 41cm X 37cm

## NOTES

Custom requests can be considered on volume orders

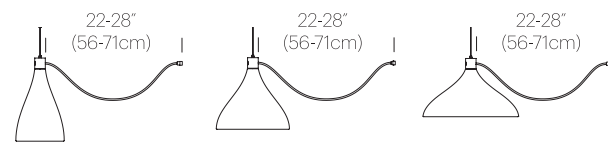


## FINISHES



## DIMENSIONS

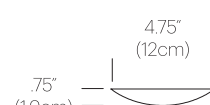
### SWELL STRING SINGLE



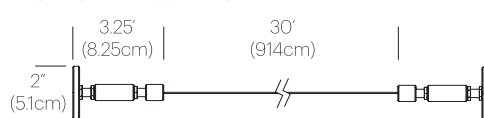
### POWER FEED CABLE



### CANOPY



### HORIZONTAL MOUNTING KIT



### 12" JUMPER CABLE



# SWELL CHANDELIER



## DESCRIPTION

Elegant with undulating contours, Swell Chandelier is an LED chandelier designed to seamlessly blend the line between indoor and outdoor lighting. Swell Chandelier is available in groupings of 3 and 6 lamps, creating a dramatic and personal grouping to fit any environment. Swell is also available in stunning XL sizes for spaces that demand exceptional scale.

## FIXTURE TYPE

Pendant

## LIGHT SOURCE

US		EU	
Brand: <b>SATCO</b>		Brand: <b>PHILIPS</b>	
11W LED		9.5W LED	
3000K		2700K	
E26/PAR30		E27/PAR30	
1000Lm		650Lm	

## LIGHT CONTROL

Hard-wired, dimmable  
Compatible with TRIAC/ELV dimmers  
Dali compatibility upon request

## FEATURES

For indoor and outdoor use  
Damp rated

## SPECIFICATIONS

Voltage: 120V or 240V 60Hz  
Power consumption: 13W per lamp  
Color temperature: 3000K  
Luminosity: 1050 Lumens per lamp  
Luminaire efficacy: 81 Lumens/Watt  
Color Rendition Index: 95 CRI  
40K hour lifespan  
Cable length: 10' (305cm)  
Title 20/Title 24 compliant  
Dark Sky compliant

## CERTIFICATIONS



## RODUCT CODES (ENTER 1 OR 2 IN BLANK SPACE)

Swell Chandelier Mix (Black/Brass):	SWEL CHAN	MIX BLK/BRA
Swell Chandelier Mix (Brass/Brass):	SWEL CHAN	MIX BRA/BRA
Swell Chandelier Mix (White/Brass):	SWEL CHAN	MIX WHT/BRA
Swell XL Chandelier Mix (Black/Brass):	SWEL XL CHAN	MIX BLK/BRA
Swell XL Chandelier Mix (Brass/Brass):	SWEL XL CHAN	MIX BRA/BRA
Swell XL Chandelier Mix (White/Brass):	SWEL XL CHAN	MIX WHT/BRA
17" Chandelier Canopy:	CHND CAN 17	
26" Chandelier Canopy:	CHND CAN 26	

## PACKAGING WEIGHT AND DIMENSIONS

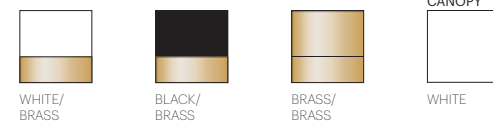
Swell Single:	5.25LBS 2.4KGS	15.5" X 16" X 14.5" 39cm X 41cm X 37cm
Swell XL Narrow:	6.6LBS 2.7KGS	14" X 14" X 20" 36cm X 36cm X 51cm
Swell XL Medium:	7.6LBS 3.4KGS	20" X 20" X 18" 51cm X 51cm X 46cm
Swell XL Wide:	10LBS 4.5KGS	26" X 26" X 14" 66cm X 66cm X 36cm
Chandelier canopy 26":	30LBS 13.6KGS	32" X 32" X 6" 81cm X 81cm X 15cm
Chandelier canopy 17":	15LBS 6.8KGS	22" X 22" X 6" 56cm X 56cm X 15cm

## NOTES

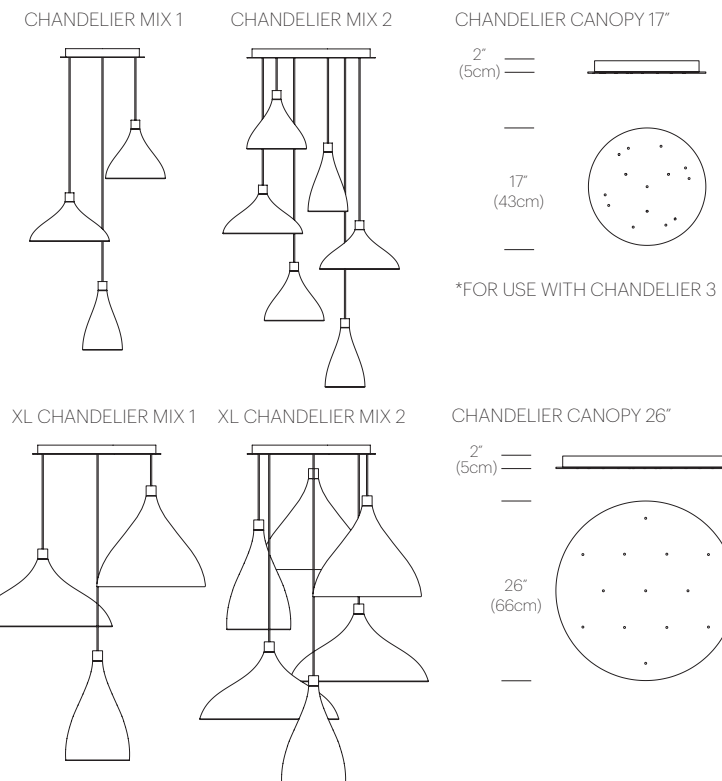
Custom requests can be considered on volume orders



## FINISHES



## DIMENSIONS





# TALIA

Talia's refined and compact design embraces only the essential elements to fulfill its purpose. Smart and powerful, Talia is designed for maximum light control, pairing fully dimmable and glare-free flat panel technology with 360° post rotation and 180° shade rotation to satisfy both task and ambient lighting needs alike. Talia Table also features wireless induction charging to accommodate mobile devices + USB port for added convenience. Available in both Table and Floor standing models, Talia is offered in 6 elegant colorway and metallic accent combinations to provide a refined touch to any setting and decor.

Designer:  
Pablo Pardo + Carmine Deganello + Pablo Studio 2020

Awards:  
2021 European Product Design Award





# TALIA TABLE

## DESCRIPTION

Talia's refined and compact design embraces only the essential elements to fulfill its purpose. Smart and powerful, Talia is designed for maximum light control, pairing fully dimmable and glare-free flat panel technology with 360° post rotation and 180° shade rotation to satisfy both task and ambient lighting needs alike. Talia Table also features wireless induction charging to accommodate mobile devices + USB port for added convenience. Available in both Table and Floor standing models, Talia is offered in 6 elegant colorway and metallic accent combinations to provide a refined touch to any setting and decor.

## FIXTURE TYPE

Table

## LIGHT SOURCE

Flat Panel LED

## LIGHT CONTROL

Optical switch  
Full range dimming (100-10%)  
2-stage dimming (100/40%)

## FEATURES

Wireless charging w/ indicator light  
USB charging port  
360° post rotation  
180° shade rotation  
ADA compliant  
6 hour auto off

## SPECIFICATIONS

Voltage: 120/240V 50-60Hz  
Power Consumption: 5.1W MAX  
Color temperature: 3000K  
Luminosity: 350 Lumens  
Luminaire efficacy: 51 Lumens/Watt  
Color Rendition Index: 90 CRI  
Cable length: 6'(183cm)  
Power supply: 24W

## CERTIFICATIONS



## PRODUCT CODES

Talia Table (Black):	TALI TBL BLK
Talia Table (Black/Brass):	TALI TBL BLK/BRA
Talia Table (Grey):	TALI TBL GRY
Talia Table (Grey/Silver):	TALI TBL GRY/SLV
Talia Table (White):	TALI TBL WHT
Talia Table (White/Silver):	TALI TBL WHT/SLV

## PACKAGING WEIGHT AND DIMENSIONS

Talia Table:	3.2LBS	18" X 8.1" X 2.2"
	1.5KGS	46cm X 20.5cm X 6cm

## NOTES

Custom requests can be considered on volume orders

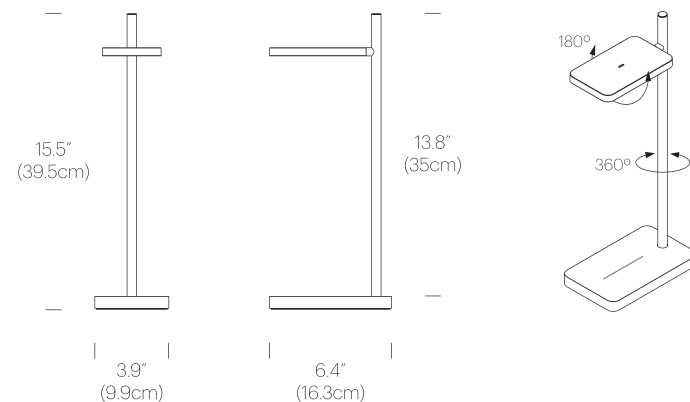


## FINISHES



## DIMENSIONS

TALIA TABLE





# TALIA FLOOR

## DESCRIPTION

Talia's refined and compact design embraces only the essential elements to fulfill its purpose. Smart and powerful, Talia is designed for maximum light control, pairing fully dimmable and glare-free flat panel technology with 360° post rotation and 180° shade rotation to satisfy both task and ambient lighting needs alike. Talia is offered in 6 elegant colorway and metallic accent combinations to provide a refined touch to any setting and decor.

## FIXTURE TYPE

Floor

## LIGHT SOURCE

Flat panel LED

## LIGHT CONTROL

Optical switch  
Full range dimming (100-10%)  
2-stage dimming (100/40%)

## FEATURES

360° post rotation  
180° shade rotation  
ADA compliant  
Flat Panel LED  
6 hour auto off

## SPECIFICATIONS

Voltage: 120/240V 50-60Hz  
Power Consumption: 5.1W MAX  
Color temperature: 3000K  
Luminosity: 350 Lumens  
Luminaire efficacy: 51 Lumens/Watt  
Color Rendition Index: 90 CRI  
Cable length: 6'(183cm)  
Power supply: 24W

## CERTIFICATIONS



## PRODUCT CODES

Talia Floor (Black):	TALI FLR BLK
Talia Floor (Black/Brass):	TALI FLR BLK/BRA
Talia Floor (Grey):	TALI FLR GRY
Talia Floor (Grey/Silver):	TALI FLR GRY/SLV
Talia Floor (White):	TALI FLR WHT
Talia Floor (White/Silver):	TALI FLR WHT/SLV

## PACKAGING WEIGHT AND DIMENSIONS

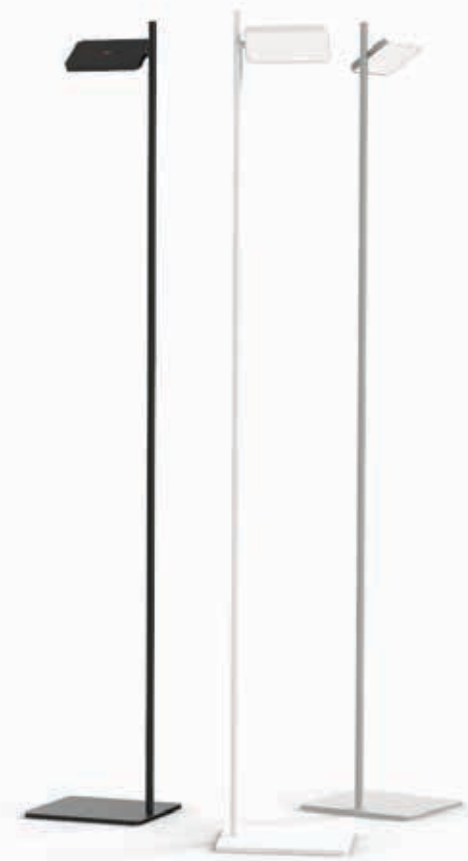
Talia Floor:	7.5LBS	33.2" X 11.9" X 2.1"
	3.5KGS	84cm X 30cm X 5.3cm

## NOTES

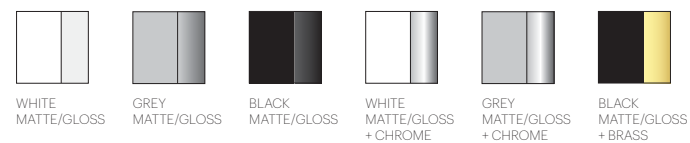
Custom requests can be considered on volume orders

234 **Pablo**

AVAILABLE GLOBALLY

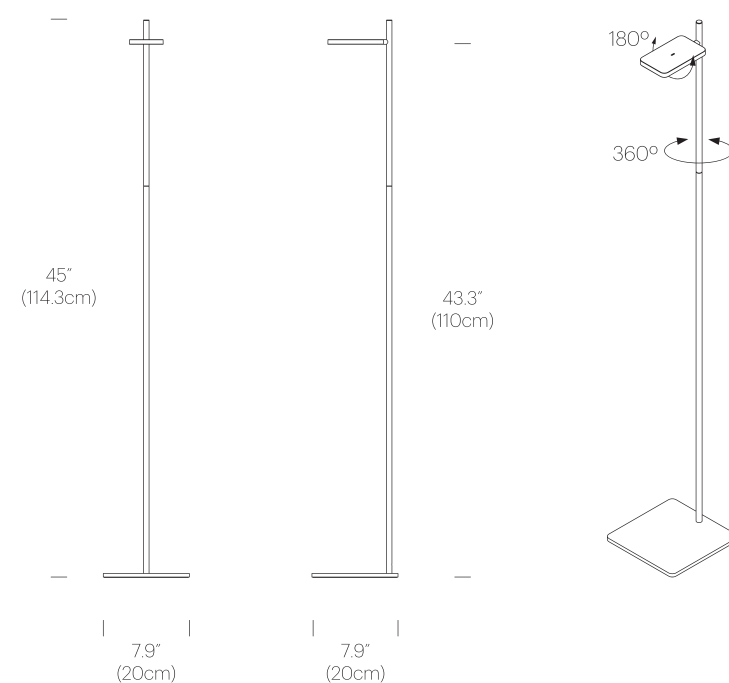


## FINISHES



## DIMENSIONS

TALIA FLOOR

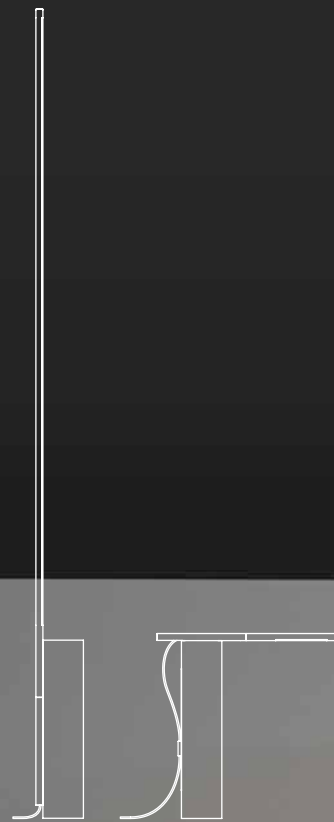
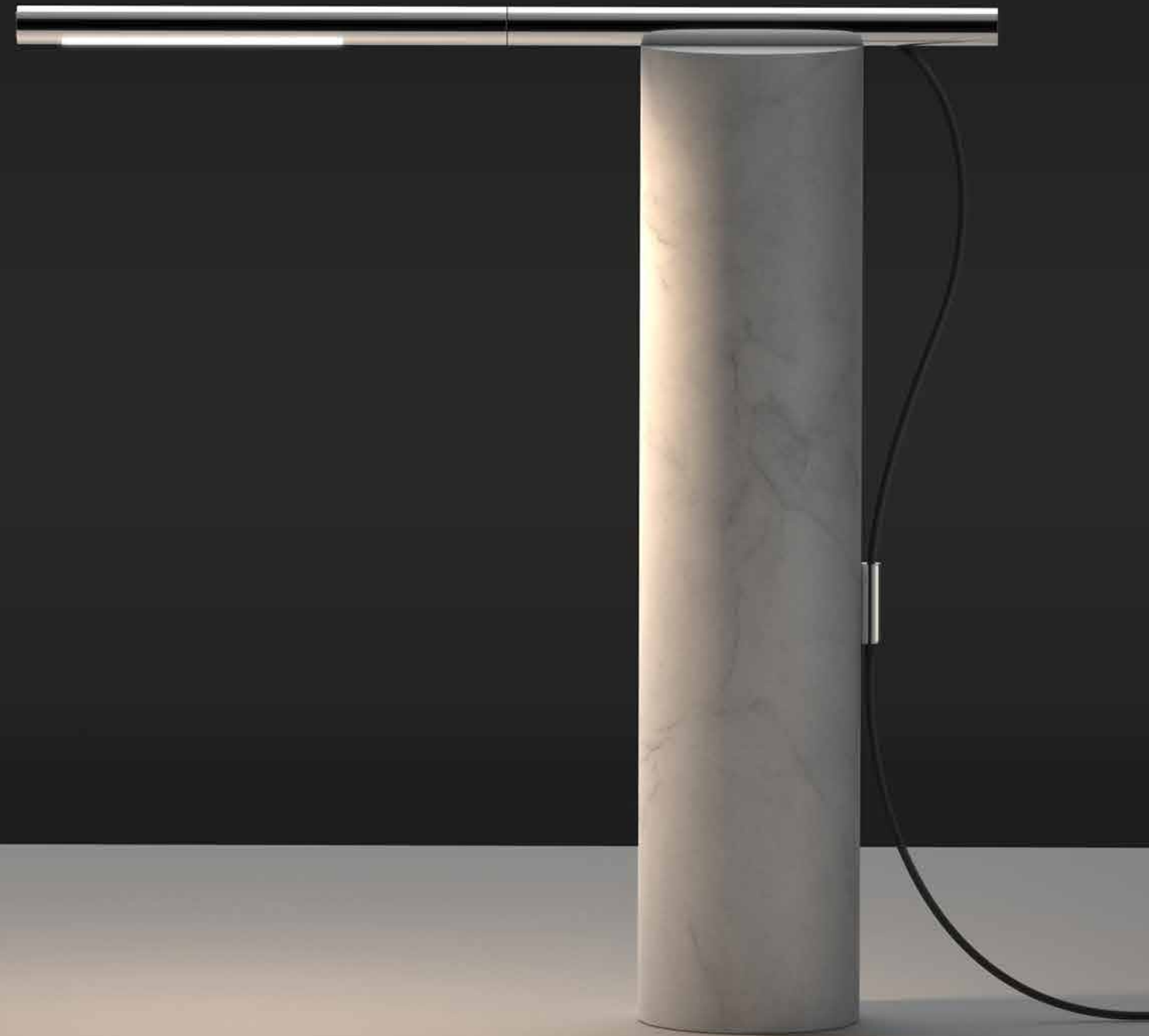


**Pablo** 235

# T.O

T.O celebrates and reinforces the importance of light as a pillar of our daily life. A monolithic column stands to support a horizontal and vertical line of light to provide precise light control in all directions. T.O embodies a harmonious dialogue between solidity and lightness offering unlimited contexts for use in residential and workplace environments, all within a minimal footprint. T.O features a fully dimmable LED light source with tactile push switch appropriately positioned at the end of arm. Both table and floor versions feature a magnetically attached light arm over a marble cylinder base while the light wand can be rotated up to 360 degrees to provide both direct and indirect light for task and ambient lighting needs alike. T.O is offered in 2 marble base finishes in Marquina black and Carrara white while the light arm is elegantly contrasted in polished surfaces in brass and chrome. T.O is a seamless integration of functional lighting and sculpture.

Designer:  
Carmine Deganello + Pablo Studio 2021





# T.O TABLE

## DESCRIPTION

T.O celebrates and reinforces the importance of light as a pillar of our daily life. A monolithic column stands to support a horizontal and vertical line of light to provide precise light control in all directions. T.O embodies a harmonious dialogue between solidity and lightness offering unlimited contexts for use in residential and workplace environments, all within a minimal footprint. T.O features a fully dimmable LED light source with tactile push switch appropriately positioned at the end of arm. Both table and floor versions feature a magnetically attached light arm over a marble cylinder base while the light wand can be rotated up to 360 degrees to provide both direct and indirect light for task and ambient lighting needs alike. T.O is offered in 2 matte base finishes in Marquina black and Carrara white while the light arm is elegantly contrasted in polished surfaces in brass and chrome. T.O is a seamless integration of functional lighting and sculpture.

## FIXTURE TYPE

Table

## LIGHT SOURCE

High output LED array

## LIGHT CONTROL

Mechanical push button  
Full range dimming (100-10%)  
2-stage dimming (100/40%)

## FEATURES

360° arm rotation  
Advanced LED array eliminates multiple shadows

## SPECIFICATIONS

Voltage: 120-240V 50/60Hz  
Power Consumption: 4.5W  
Color Temperature: 3000K  
Luminosity: 300 Lumens  
Luminaire efficacy: 67 Lumens/Watt  
Color Rendition Index: 90 CRI  
Cord length: 6' (1.8m)

## CERTIFICATIONS



## PRODUCT CODES

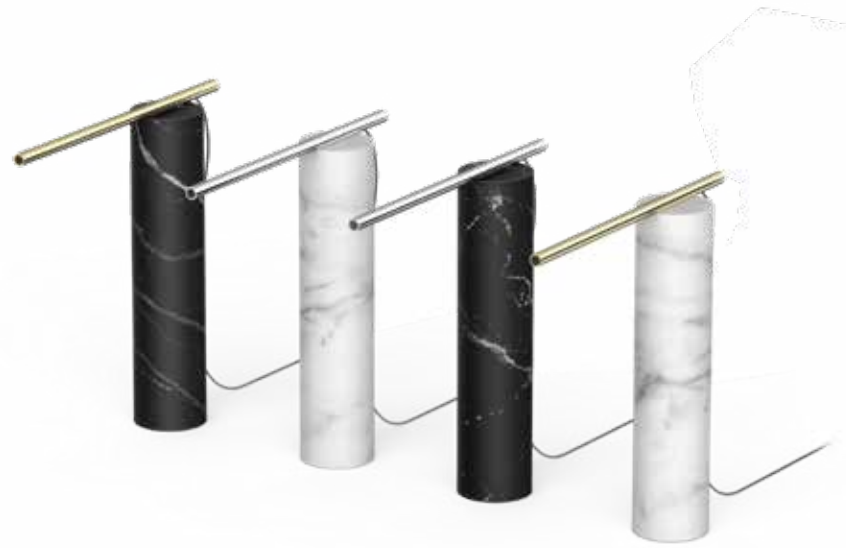
T.O Table (Black/Brass):	TO TBL BLK/BRA
T.O Table (Black/Chrome):	TO TBL BLK/CRM
T.O Table (White/Brass):	TO TBL WHT/BRA
T.O Table (White/Chrome):	TO TBL WHT/CRM

## PACKAGING WEIGHT AND DIMENSIONS

T.O Table:	9.5LBS	6.25" X 6.25" X 16"
	2.3KGS	16cm X 16cm X 40cm

## NOTES

Custom requests can be considered on volume orders



## FINISHES

### BASE



MARQUINA BLACK



CARRARA WHITE

### ARM



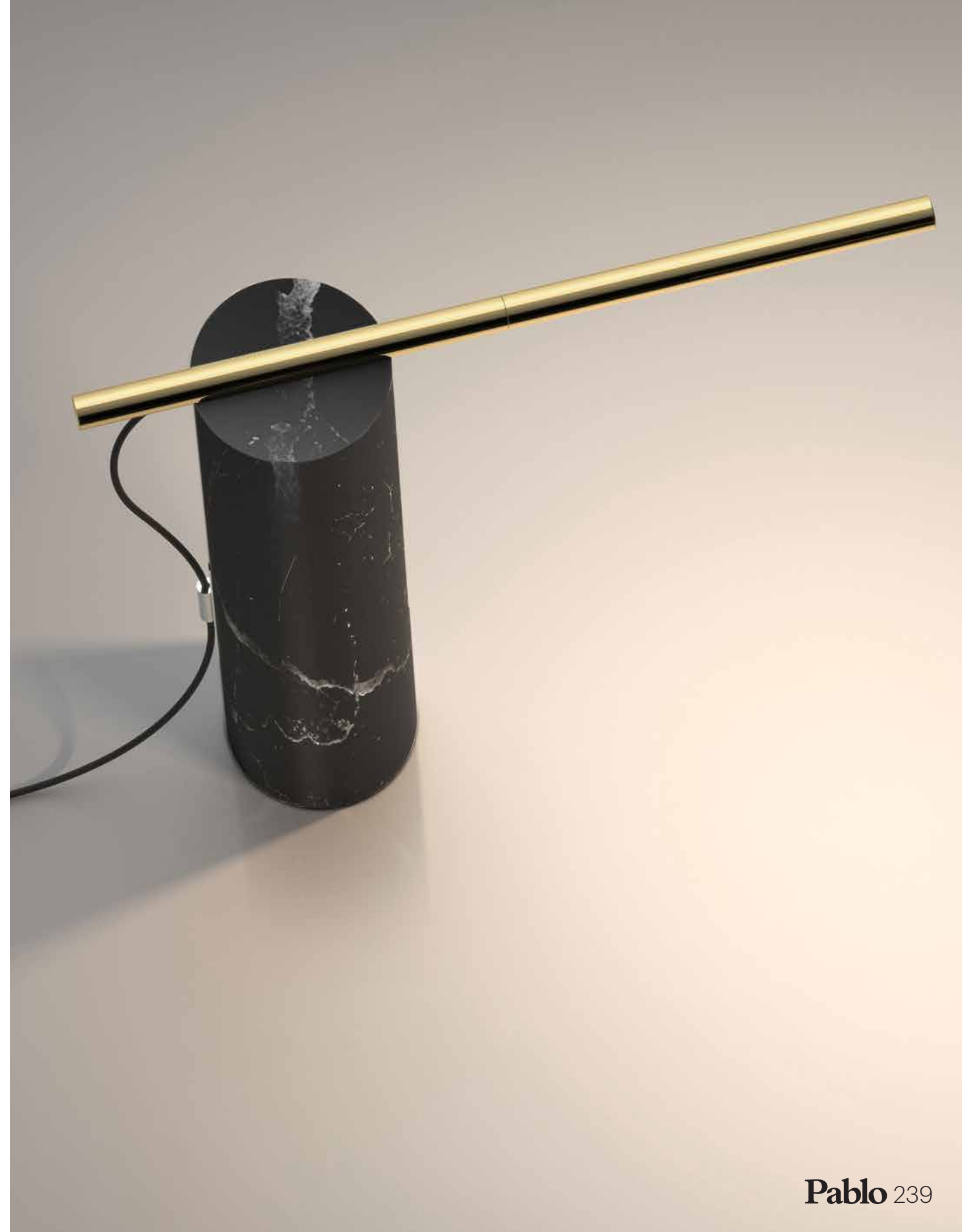
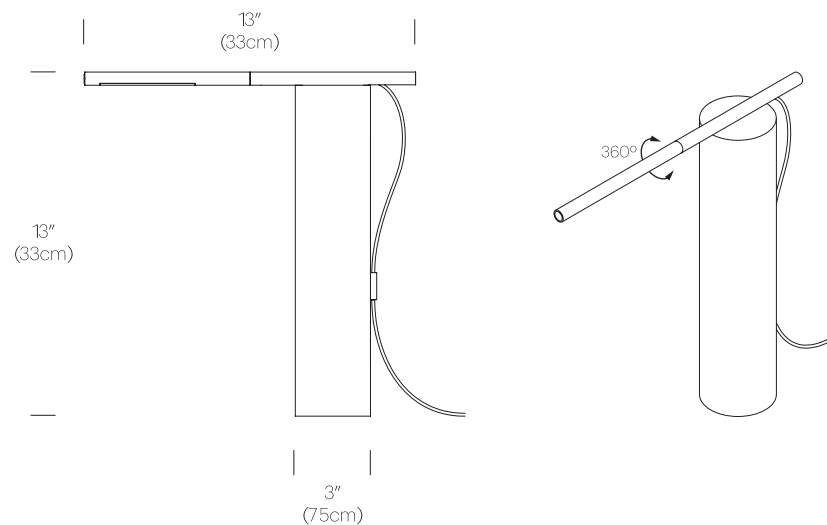
BRASS



CHROME

## DIMENSIONS

### T.O TABLE







# T.O FLOOR

## DESCRIPTION

T.O celebrates and reinforces the importance of light as a pillar of our daily life. A monolithic column stands to support a vertical line of light to provide precise light control. T.O embodies a harmonious dialogue between solidity and lightness offering unlimited contexts for use in residential and workplace environments, all within a minimal footprint. T.O features a fully dimmable LED light source with tactile push switch appropriately positioned at the end of arm. Both table and floor versions feature a magnetically attached light arm over a marble cylinder base while the light wand can be rotated up to 360 degrees to provide both direct and indirect light for task and ambient lighting needs alike. T.O is offered in 2 matte base finishes in Marquina black and Carrara white while the light arm is elegantly contrasted in polished surfaces in brass and chrome. T.O is a seamless integration of functional lighting and sculpture.

## FIXTURE TYPE

Floor

## LIGHT SOURCE

High output LED array

## LIGHT CONTROL

Mechanical push button

Full range dimming (100-10%)

2-stage dimming (100/40%)

## FEATURES

360° arm rotation

Advanced LED array eliminates multiple shadows

## SPECIFICATIONS

Voltage: 120-240V 50/60Hz

Power Consumption: 10W

Color Temperature: 3000K

Luminosity: 750 Lumens

Luminaire efficacy: 75 Lumens/Watt

Color Rendition Index: 90 CRI

Cable Length: 6' (1.8m)

## CERTIFICATIONS



## PRODUCT CODES

T.O Floor (Black/Brass):	TO FLR BLK/BRA
T.O Floor (Black/Chrome):	TO FLR BLK/CRM
T.O Floor (White/Brass):	TO FLR WHI/BRA
T.O Floor (White/Chrome):	TO FLR WHI/CRM

## PACKAGING WEIGHT AND DIMENSIONS

T.O Floor:	9.5LBS	6.25" X 6.25" X 16"
(Base)	2.3KGS	16cm X 16cm X 40cm
T.O Floor:	9.5LBS	6.25" X 6.25" X 16"
(Lamp Arm)	2.3KGS	16cm X 16cm X 40cm

## NOTES

Custom requests can be considered on volume orders



## FINISHES

### BASE



MARQUINA BLACK



CARRARA WHITE

### ARM



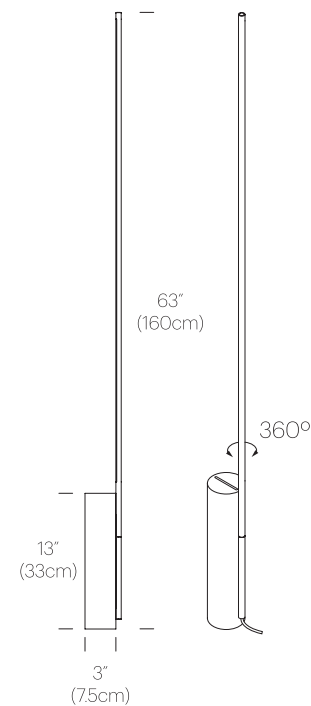
BRASS



CHROME

## DIMENSIONS

### TO FLOOR





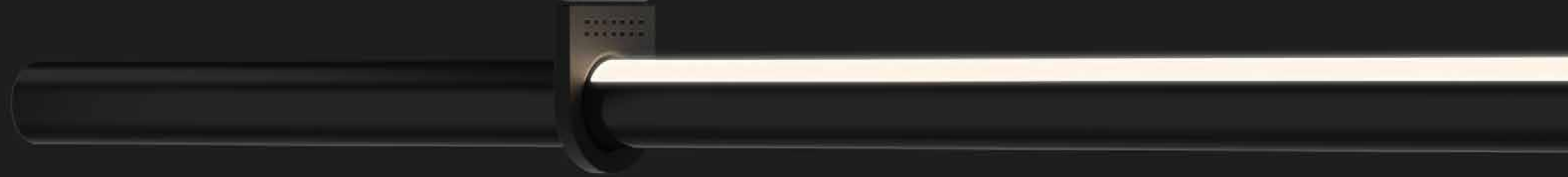
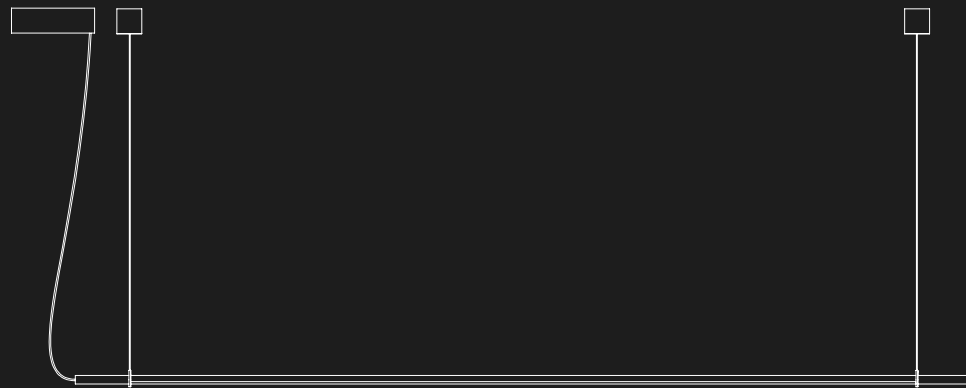
Minimalista



# T.O PENDANT

T.O Pendant celebrates the importance of light as a pillar of daily life. T.O features an elegant wand of light suspended by two decorative woven nylon belts finished with over-molded features that allow for full 360-degree rotation to direct light in all directions. T.O Pendant can transform from a direct task-oriented light to indirect ambience with minimal effort. It's suspension system allows for ultimate freedom and creativity to suspend in a wide variety of configurations from a linear series, to multi-axis and multi-level groupings to create stunning displays for residential and workplace environments alike. T.O Pendant's is offered in polished chrome, matte black, and matte grey finishes paired with suspension belts in burnt orange, graphite, and light grey and can be mixed and matched to any desire.

Designer:  
Carmine Deganello + Pablo Studio 2022



# T.O PENDANT

## DESCRIPTION

T.O Pendant celebrates the importance of light as a pillar of daily life. T.O features an elegant wand of light suspended by two decorative woven nylon belts finished with over-molded features that allow for full 360-degree rotation to direct light in all directions. T.O Pendant can transform from a direct task-oriented light to indirect ambience with minimal effort. It's suspension system allows for ultimate freedom and creativity to suspend in a wide variety of configurations from a linear series, to multi-axis and multi-level groupings to create stunning displays for residential and workplace environments alike. T.O Pendant's is offered in polished chrome, matte black, and matte grey finishes paired with colorful suspension belts in burnt orange, graphite, and light grey and can be mixed and matched to any desire.

## FIXTURE TYPE

Pendant

## LIGHT SOURCE

High output LED array

## LIGHT CONTROL

Mechanical push button  
Full range dimming (100-10%)  
2-stage dimming (100/40%)

## FEATURES

360° arm rotation  
Advanced LED array eliminates multiple shadows

## SPECIFICATIONS

Voltage: 120-277V 50/60Hz  
Power Consumption: 10W  
Color Temperature: 2700K  
Beam Angle : 110°  
Luminosity: 750 Lumens  
Luminaire efficacy: 75 Lumens/Watt  
Color Rendition Index: 90 CRI  
Cable Length: 10' (3m)  
Belt Length: 10' (3m)

## CERTIFICATIONS



## PRODUCT CODES

T.O Pendant (Black/Graphite):	TO PND BLK GPT
T.O Pendant (Black/Light Grey):	TO PND BLK GRY
T.O Pendant (Black/Burnt Orange):	TO PND BLK ORG
T.O Pendant (Chrome/Graphite):	TO PND CRM GPT
T.O Pendant (Chrome/Light Grey):	TO PND CRM GRY
T.O Pendant (Chrome/Burnt Orange):	TO PND CRM ORG
T.O Pendant (Grey/Graphite):	TO PND GRY GPT
T.O Pendant (Grey/Light Grey):	TO PND GRY GRY
T.O Pendant (Grey/Burnt Orange):	TO PND GRY ORG

## PACKAGING WEIGHT AND DIMENSIONS

T.O Pendant:	2.5LBS	3" X 6" X 57"
(Lamp)	1.1KGS	7.6cm X 15cm X 145cm
T.O Pendant:	1.5LBS	10" X 8.25" X 4.3"
(Accessories)	.7KGS	25.5cm X 21cm X 11cm

## NOTES

Custom requests can be considered on volume orders



## FINISHES

### SUSPENSION BELT



BURNT ORANGE



GRAPHITE



LIGHT GREY

### LAMP



CHROME



MATTE BLACK



MATTE GREY

## DIMENSIONS

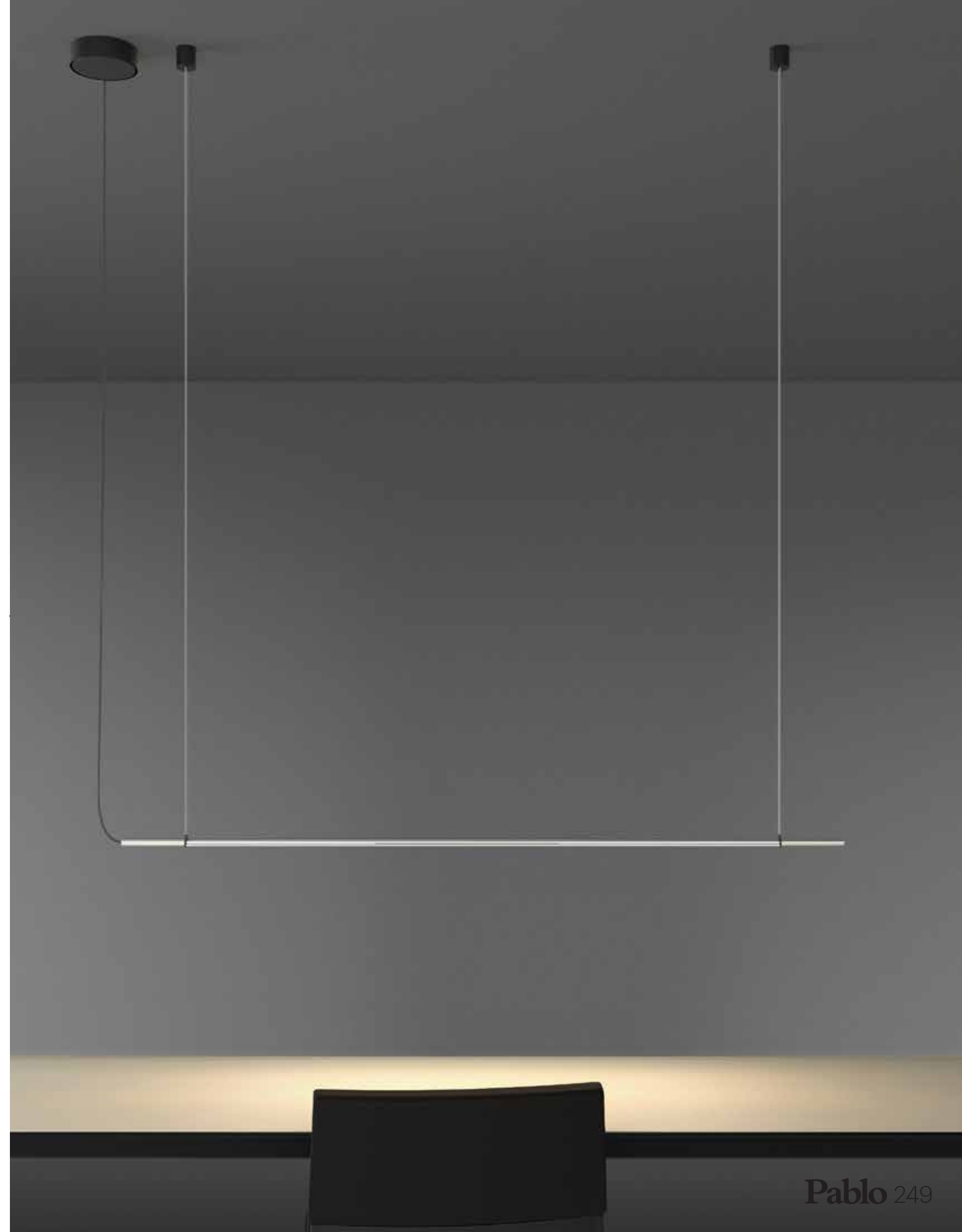
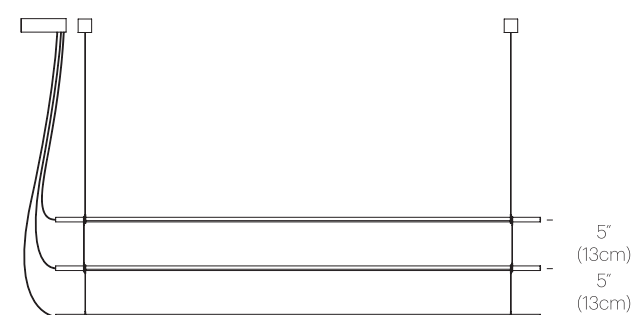
### T.O PENDANT



### T.O PENDANT 2 STACK

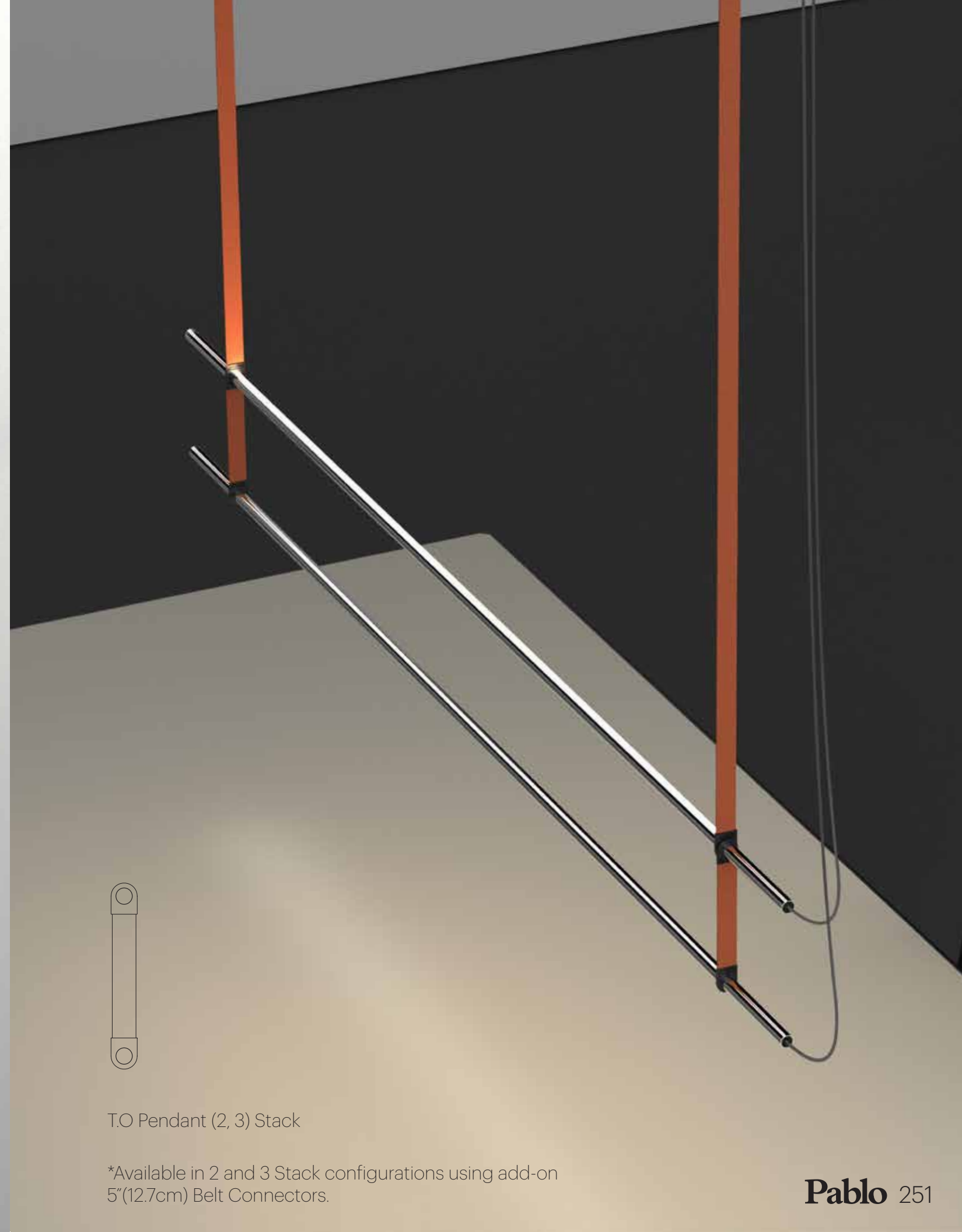


### T.O PENDANT 3 STACK





Universal Canopy with Belt Mount



T.O Pendant (2, 3) Stack

\*Available in 2 and 3 Stack configurations using add-on 5"(12.7cm) Belt Connectors.

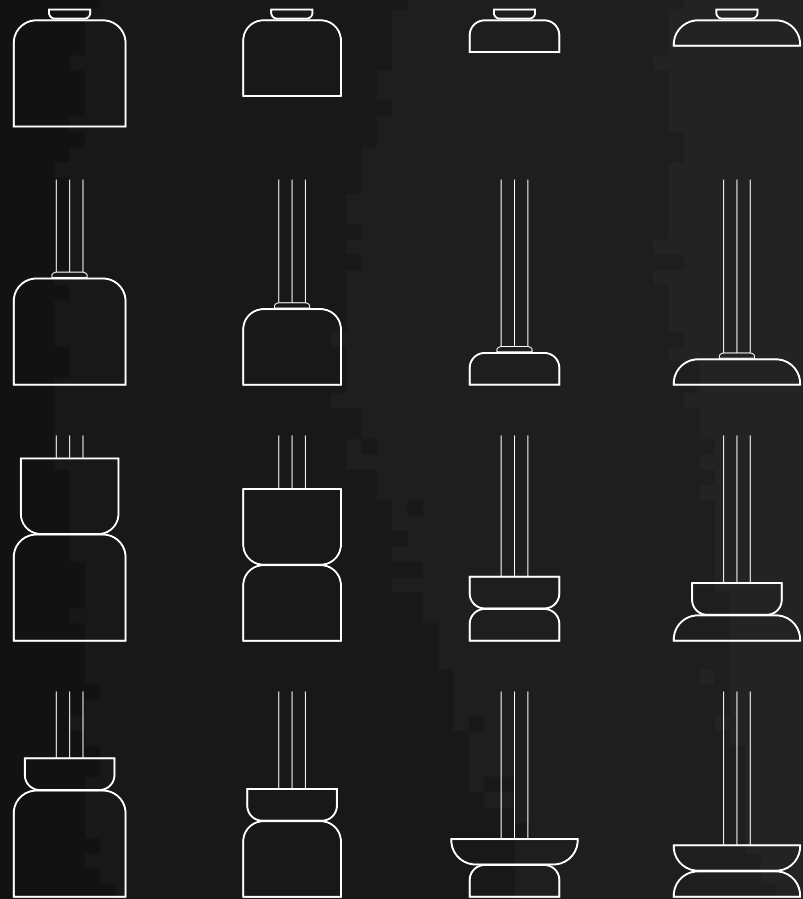




# TOTEM

Totem is a versatile pendant lighting collection comprised of exquisitely blown opal glass shades designed around a modular platform. Totem's soft, pure white geometric forms provide a charming interplay of unique combinations to provide warmth and elegance to any space. Users can select from 4 shade styles (A,B,C,D) to mix and match to create an ensemble of 20 unique pendant combinations. Totem provides both direct and indirect illumination by employing a two-part LED light engine that provides both uplight and downlight resulting in a warm and dimmable ambient glow projecting through its softly diffused glass structure. Totem singles can be used in flush mount down-light only scenarios as well.

Designer:  
Pablo Pardo + Pablo Studio 2022







# TOTEM UP/DOWN LIGHT

## DESCRIPTION

Totem is a versatile pendant lighting collection comprised of exquisitely blown opal glass shades designed around a modular platform. Totem's soft, pure white geometric forms provide a charming interplay of unique combinations to provide warmth and elegance to any space. Users can select from 4 shade styles (A,B,C,D) to mix and match to create an ensemble of 20 unique pendant combinations. Totem provides both direct and indirect illumination by employing a two-part LED light engine that provides both uplight and downlight resulting in a warm and dimmable ambient glow projecting through its softly diffused glass structure. Totem singles can be used in flush mount downlight only scenarios as well.

## FIXTURE TYPE

Pendant

## LIGHT SOURCE

High output LED array

## LIGHT CONTROL

Fully dimmable

Compatible with TRIAC/ELV

(0-10V dimming available upon request)

Dali compatibility upon request

## FEATURES

20 Unique Pendant Combinations

Uplight/Downlight

## SPECIFICATIONS

Voltage: 120 or 240V 50/60Hz (120-277V 0-10V driver available by request)

Power Consumption: 18W

Color Temperature: 2700-2200K DTW (Dim-to-Warm)

Luminosity: 1800 Lumens Total (1400down/400up)

Luminaire efficacy: 100 Lumens/Watt

Color Rendition Index: 90 CRI

Cable Length: 10' (3m)

## CERTIFICATIONS



## FINISHES

CANOPY



WHITE

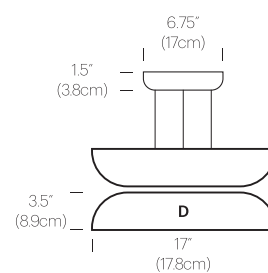
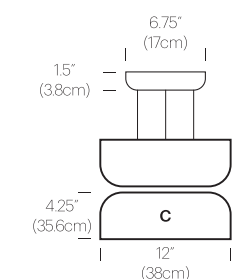
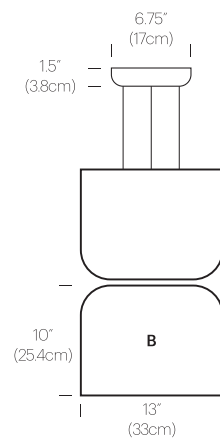
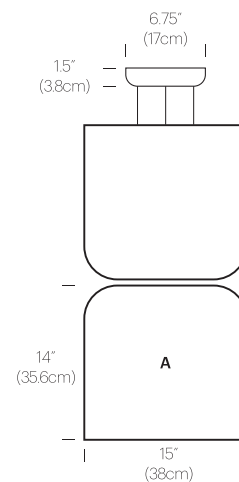
SHADE



OPAL GLASS

## DIMENSIONS

TOTEM UP/DOWN



## PRODUCT CODES (ENTER SHADE COMBINATION IN BLANK SPACE)

Totem Up/Down TOTE UPDOWN

## PACKAGING WEIGHT AND DIMENSIONS

Totem A:	8LBS	20" X 20" X 20"
(Shade)	3.6KGS	50cm X 50cm X 50cm
Totem B:	6.5LBS	17" X 17" X 15"
(Shade)	3KGS	43cm X 43cm X 38cm
Totem C:	4LBS	16.5" X 16.5" X 10"
(Shade)	1.8KGS	42cm X 42cm X 25cm
Totem D:	3.3LBS	22" X 22" X 9"
(Shade)	1.5KGS	56cm X 56cm X 23cm

## NOTES

Custom requests can be considered on volume orders

258 Pablo

AVAILABLE GLOBALLY



# TOTEM DOWN LIGHT

## DESCRIPTION

Totem is a versatile pendant lighting collection comprised of exquisitely blown opal glass shades designed around a modular platform. Totem's soft, pure white geometric forms provide a charming interplay of unique combinations to provide warmth and elegance to any space. Downlight pendants utilize one of the 4 shade styles (A,B,C,D) and provide direct illumination resulting in a warm and dimmable ambient glow projecting through its softly diffused glass structure. Totem singles can be used in flush mount down-light only scenarios as well.

## FIXTURE TYPE

Pendant

## LIGHT SOURCE

High output LED array

## LIGHT CONTROL

Fully dimmable

Compatible with TRIAC/ELV

(0-10V dimming available upon request)

Dali compatibility upon request

## FEATURES

4 Unique Downlight Profiles

## SPECIFICATIONS

Voltage: 120 or 240V 50/60Hz (120-277V 0-10V driver available by request)

Power Consumption: 13W

Color Temperature: 2700-2200K DTW (Dim-to-Warm)

Luminosity: 1400 Lumens

Luminaire efficacy: 108 Lumens/Watt

Color Rendition Index: 90 CRI

Cable Length: 10' (3m)

## CERTIFICATIONS



## PRODUCT CODES

Totem Down (A)	TOTE DWN A
Totem Down (B)	TOTE DWN B
Totem Down (C)	TOTE DWN C
Totem Down (D)	TOTE DWN D

## PACKAGING WEIGHT AND DIMENSIONS

Totem A:	8LBS	20" X 20" X 20"
(Shade)	3.6KGS	50cm X 50cm X 50cm
Totem B:	6.5LBS	17" X 17" X 15"
(Shade)	3KGS	43cm X 43cm X 38cm
Totem C:	4LBS	16.5" X 16.5" X 10"
(Shade)	1.8KGS	42cm X 42cm X 25cm
Totem D:	3.3LBS	22" X 22" X 9"
(Shade)	1.5KGS	56cm X 56cm X 23cm

## NOTES

Custom requests can be considered on volume orders

260 Pablo

AVAILABLE GLOBALLY



## FINISHES

CANOPY



WHITE

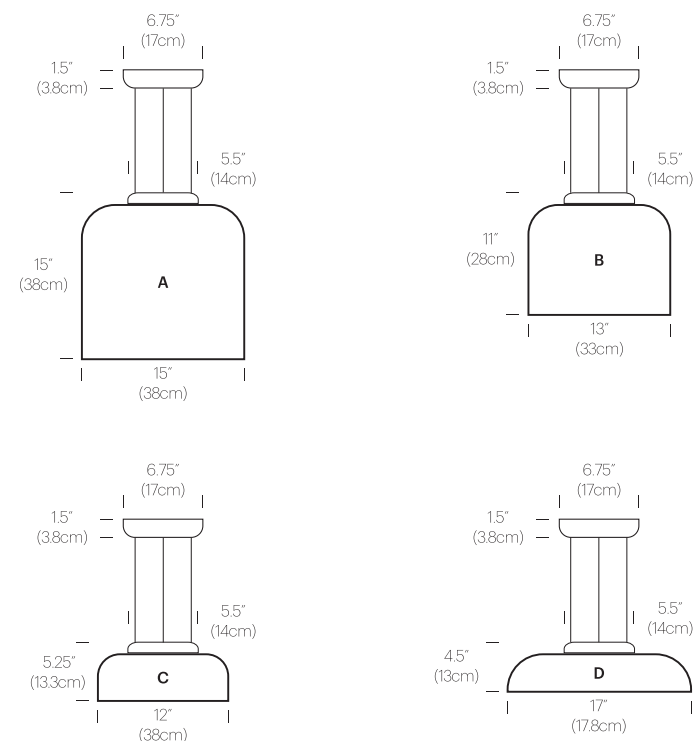
SHADE



OPAL GLASS

## DIMENSIONS

TOTEM DOWN



Pablo 261



# TOTEM FLUSH

## DESCRIPTION

Totem is a versatile pendant lighting collection comprised of exquisitely blown opal glass shades designed around a modular platform. Totem's soft, pure white geometric forms provide a charming interplay of unique combinations to provide warmth and elegance to any space. Totem Flush utilize one of the 4 shade styles (A,B,C,D) and provide direct illumination resulting in a warm and dimmable ambient glow projecting through its softly diffused glass structure. Totem singles can be used in down light pendant scenarios as well.

## FIXTURE TYPE

Pendant

## LIGHT SOURCE

High output LED array

## LIGHT CONTROL

Fully dimmable

Compatible with TRIAC/ELV

(0-10V dimming available upon request)

Dali compatibility upon request

## FEATURES

4 Unique Flush Profiles

## SPECIFICATIONS

Voltage: 120 or 240V 50/60Hz (120-277V 0-10V driver available by request)

Power Consumption: 13W

Color Temperature: 2700-2200K DTW (Dim-to-Warm)

Luminosity: 1400 Lumens

Luminaire efficacy: 108 Lumens/Watt

Color Rendition Index: 90 CRI

## CERTIFICATIONS



## FINISHES

CANOPY



WHITE

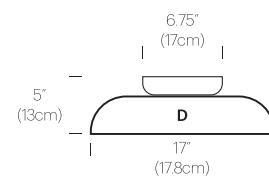
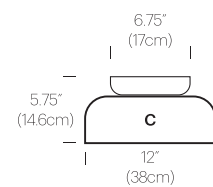
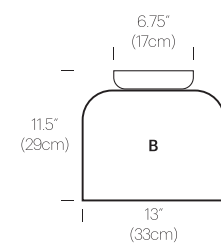
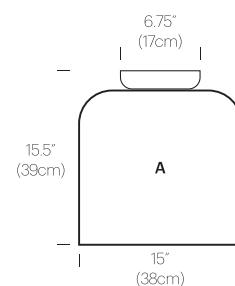
SHADE



OPAL GLASS

## DIMENSIONS

TOTEM FLUSH



## PRODUCT CODES

Totem Flush (A)	TOTE FSH A
Totem Flush (B)	TOTE FSH B
Totem Flush (C)	TOTE FSH C
Totem Flush (D)	TOTE FSH D

## PACKAGING WEIGHT AND DIMENSIONS

Totem A:	8LBS	20" X 20" X 20"
(Shade)	3.6KGS	50cm X 50cm X 50cm
Totem B:	6.5LBS	17" X 17" X 15"
(Shade)	3KGS	43cm X 43cm X 38cm
Totem C:	4LBS	16.5" X 16.5" X 10"
(Shade)	1.8KGS	42cm X 42cm X 25cm
Totem D:	3.3LBS	22" X 22" X 9"
(Shade)	1.5KGS	56cm X 56cm X 23cm

## NOTES

Custom requests can be considered on volume orders









# TOTEM MINI KIT

## DESCRIPTION

Totem Mini Kit is comprised of (8) 1:5 scale shade replicas of the Totem lighting system purposely designed as an interactive visual aid to help create your own custom Totem shade combinations and groupings. These precious and charming glass pieces are made of durable Opal glass and are liquid safe to double-duty as collectible drink vessels. The Totem Collection this kit represents is a versatile lighting system comprised of exquisitely blown opal glass shades designed around a modular platform. Totem's soft, pure white geometric forms provide a charming interplay of unique combinations to provide warmth and elegance to any space. Users can select from 4 shade styles (A,B,C,D) to mix and match to create an ensemble of 20 unique pendant and flush combinations.

## FEATURES

- 20 Unique Pendant Combinations
- Magnetic attachment
- Collectable drinking vessels

## PRODUCT CODES

Totem Mini Kit	TOTE SALE KIT
----------------	---------------

## PACKAGING WEIGHT AND DIMENSIONS

Totem Mini Kit:	1.5LBS	8" X 15" X 4.25"
	.7KGS	20.3cm X 38cm X 10.8cm

## FINISHES

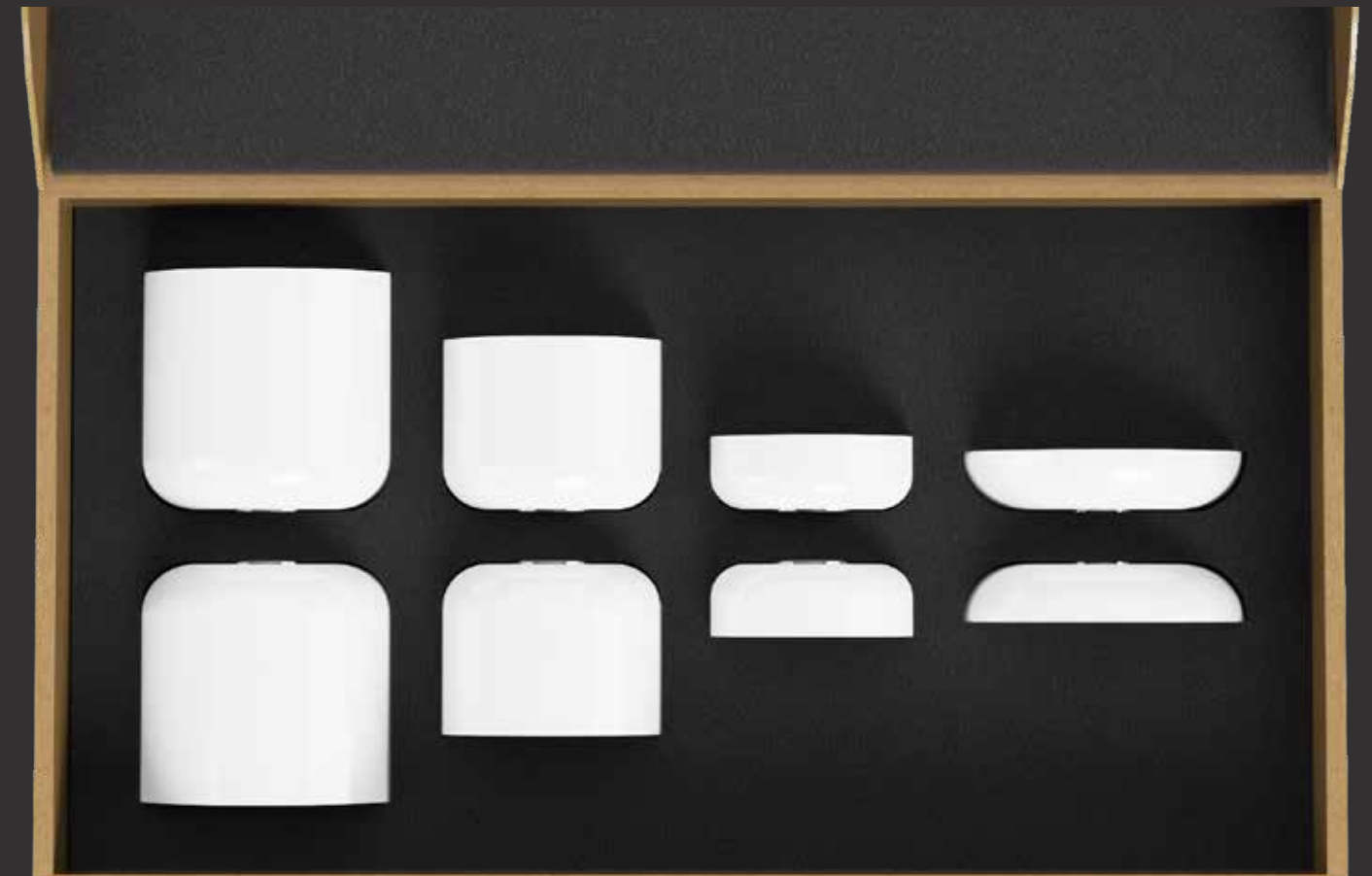
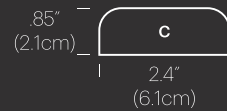
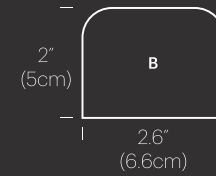
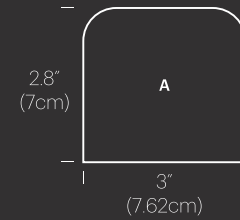
### SHADE



OPAL GLASS

## DIMENSIONS

### TOTEM MINI KIT

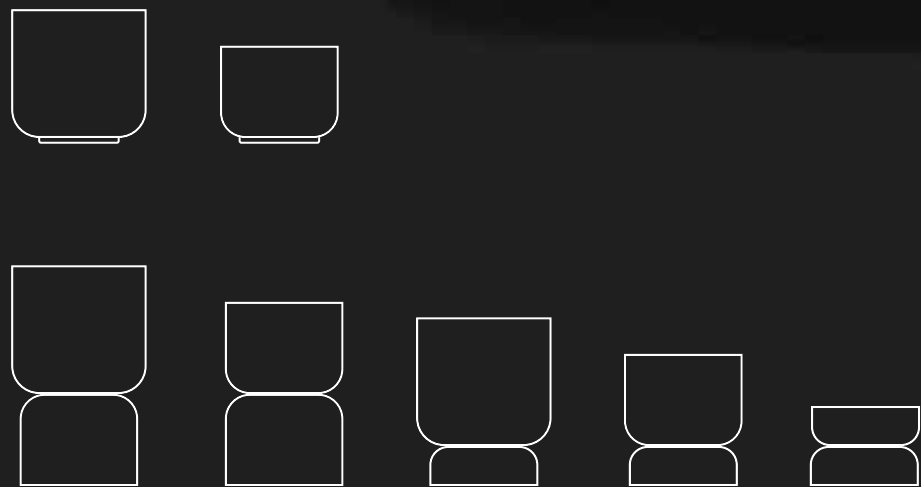




# TOTEM TABLE

Totem is a classic and highly versatile LED lighting system comprised of exquisitely blown opal glass shades designed around a modular platform. Totem's soft, pure white geometric forms provide a charming interplay of unique and rhythmic shade groupings to add warmth and elegance to any space. Totem Table combines 3 foundational shade sizes to create up to 7 curated single and dual shade lamp configurations ranging from 8.5" (21.5cm) to 24.5" (62cm) in height. Totem's soft and ambient light source comes standard with fully dimmable 2700K (Dim to Warm) LED technology with fabric sleeved cord set with rotary dimmer.

Designer:  
Pablo Pardo + Pablo Studio 2023



# TOTEM TABLE

## DESCRIPTION

Totem is a classic and highly versatile LED lighting system comprised of exquisitely blown opal glass shades designed around a modular platform. Totem's soft, pure white geometric forms provide a charming interplay of unique and rhythmic shade groupings to add warmth and elegance to any space. Totem Table combines 3 foundational shade sizes to create up to 7 curated single and dual shade lamp configurations ranging from 8.5"(21.5cm) to 24.5"(62cm) in height. Totem's soft and ambient light source comes standard with fully dimmable 2700K (Dim to Warm) LED technology with fabric sleeved cord set with rotary dimmer.

## FIXTURE TYPE

Table

## LIGHT SOURCE

High output LED array

## LIGHT CONTROL

Fully dimmable

## FEATURES

In-line Dimmer

## SPECIFICATIONS

Voltage : 120-240V 50/60Hz  
 Power Consumption : 20W  
 Color Temperature : 2700-2200K DTW(Dim to Warm)  
 Luminosity : 1400 Lumens (single shade)  
 1800 Lumens (double shade)  
 Luminaire efficacy : 90 Lumens/Watt  
 Color Rendition Index: 90 CRI  
 Cable length: 6' (1.8m)

## CERTIFICATIONS



## PRODUCT CODES

Totem Table (A)	TOTE TBL A
Totem Table (B)	TOTE TBL B
Totem Table (CC)	TOTE TBL CC
Totem Table (CB)	TOTE TBL CB
Totem Table (CA)	TOTE TBL CA
Totem Table (BB)	TOTE TBL BB
Totem Table (BA)	TOTE TBL BA

## PACKAGING WEIGHT AND DIMENSIONS

Totem A:	8LBS	20" X 20" X 20"
(Shade)	3.6KGS	50cm X 50cm X 50cm
Totem B:	6.5LBS	17" X 17" X 15"
(Shade)	3KGS	43cm X 43cm X 38cm
Totem C:	4LBS	16.5" X 16.5" X 10"
(Shade)	1.8KGS	42cm X 42cm X 25cm
Totem Lamp:	3.4LBS	9" X 7" X 9"
(Light Source)	1.5KGS	23cm X 18cm X 23cm

## NOTES

Custom requests can be considered on volume orders



## FINISHES

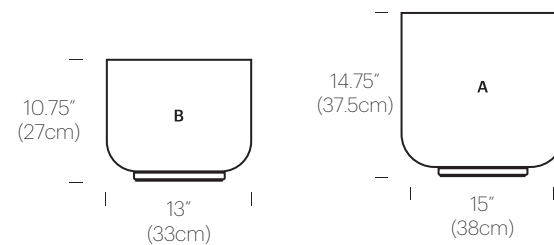
### SHADE



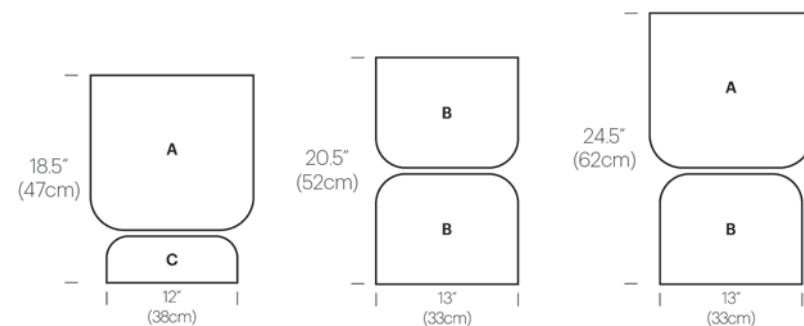
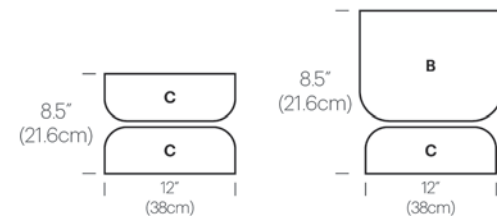
OPAL GLASS

## DIMENSIONS

### TOTEM TABLE SINGLE



### TOTEM TABLE DOUBLE



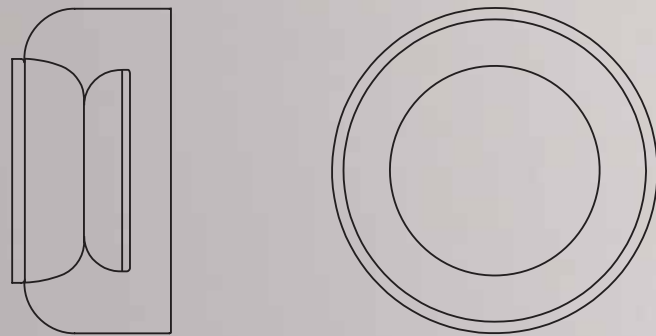




# TOTEM WALL

Totem Wall takes its elegant form and materials from the pendant and table models and cleanly ushers a captivating light unto any wall and ceiling. The compact and versatile Totem Puck features glare free illumination with field selectable LED CCT (2700K / 3000K / 3500K) and is available in warm white, dove gray, black, walnut, and brass finishes. Totem Sconce adds a crafted mouth blown glass shade in opal white, clear, smoke and amber finishes to accentuate the light effect as it filters through the glass. Ideal for lining multiples in hallway corridors or providing soft indirect illumination for modern living areas, bathrooms and bedroom applications.

Designer:  
Pablo Pardo + Pablo Studio 2024





# TOTEM PUCK

## DESCRIPTION

Totem Puck takes its elegant form and materials from the pendant and table models and cleanly ushers a captivating light unto any wall and ceiling. The compact and versatile Totem Puck features glare free illumination with field selectable LED CCT (2700K / 3000K / 3500K) and is available in warm white, dove gray, black, walnut, and brass finishes. Ideal for lining multiples in hallway corridors or providing soft indirect illumination for modern living areas, bathrooms and bedroom applications.

## FIXTURE TYPE

Wall/Ceiling

## LIGHT SOURCE

High output LED array

## LIGHT CONTROL

Hard-wired, dimmable  
Compatible with TRIAC/ELV and 0-10V dimmers  
Dali compatibility upon request

## FEATURES

Fully dimmable  
Color temperature selection at time of installation

## SPECIFICATIONS

Voltage: 120-240V 50/60Hz  
Power Consumption: 8W  
Color Temperature: 2700K -or- 3000K -or- 3500K CCT  
(On-board switch allows CCT choice at time of installation)  
Luminosity: 500 Lumens  
Luminaire efficacy: 62.5 Lumens/Watt  
Color Rendition Index: 90 CRI  
ADA compliant  
IP Rating: IP44

## CERTIFICATIONS



## FINISHES

TOTEM PUCK



MATTE WHITE



MATTE GREY



MATTE BLACK



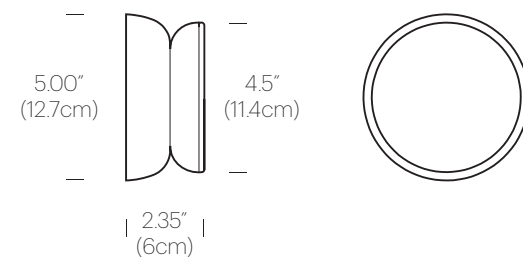
BRASS/  
MATTE BLACK



WALNUT ESSENCE/  
MATTE BLACK

## DIMENSIONS

TOTEM PUCK



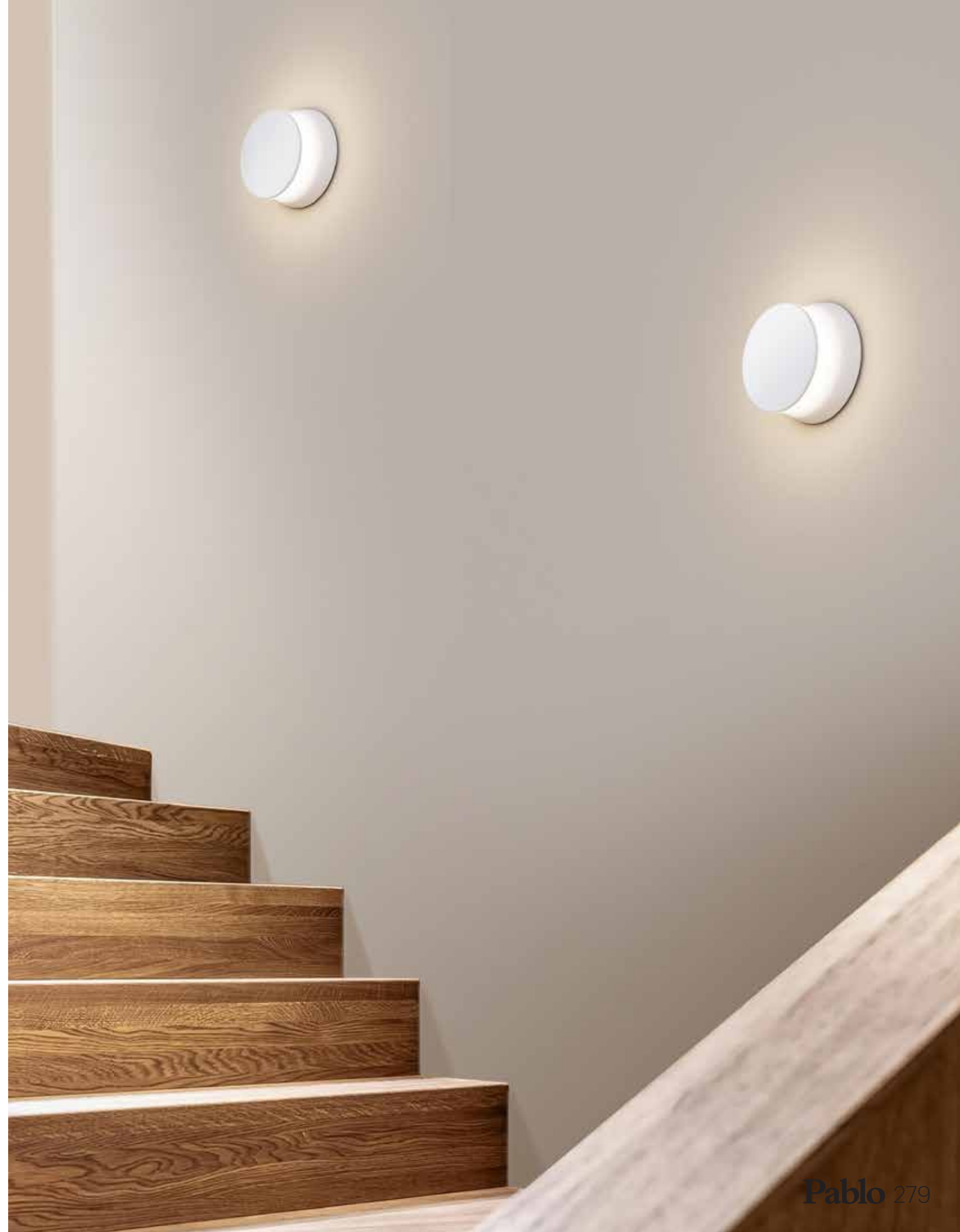
## PACKAGING WEIGHT AND DIMENSIONS

Totem Puck:	8LBS	20" X 20" X 20"
(Lamp)	3.6KGS	50cm X 50cm X 50cm

## NOTES

Custom requests can be considered on volume orders

**\*Available Fall 2024**



# TOTEM SCONCE

## DESCRIPTION

Totem Sconce takes its elegant form and materials from the pendant and table models and cleanly ushers a captivating light unto any wall and ceiling. The lamp features glare free illumination with field selectable LED CCT (2700K / 3000K / 3500K) and is available in warm white, dove gray, black, Walnut, and brass finishes. Totem Sconce adds a crafted mouth blown glass shade in opal white, clear, smoke and amber finishes to accentuate the light effect as it filters through the glass. Ideal for lining multiples in hallway corridors or providing soft indirect illumination for modern living areas, bathrooms and bedroom applications.

Designer:  
Pablo Pardo + Pablo Studio 2024

## FIXTURE TYPE

Wall/Ceiling

## LIGHT SOURCE

High output LED array

## LIGHT CONTROL

Hard-wired, dimmable  
Compatible with TRIAC/ELV and 0-10V dimmers  
Dali compatibility upon request

## FEATURES

Fully dimmable  
Color temperature selection at time of installation

## SPECIFICATIONS

Voltage: 120-240V 50/60Hz  
Power Consumption: 8W  
Color Temperature: 2700K -or- 3000K -or- 3500K CCT, on-board switch allows CCT choice at time of installation  
Luminosity: 500 Lumens  
Luminaire efficacy: 62.5 Lumens/Watt  
Color Rendition Index: 90 CRI  
ADA compliant  
IP Rating: IP44

## CERTIFICATIONS



## PACKAGING WEIGHT AND DIMENSIONS

Totem Puck:	8LBS	20" X 20" X 20"
(Lamp)	3.6KGS	50cm X 50cm X 50cm
Totem Sconce:	6.5LBS	17" X 17" X 15"
(Shade)	3KGS	43cm X 43cm X 38cm

## NOTES

Custom requests can be considered on volume orders  
**\*Available Fall 2024**



## FINISHES

### LAMP TOP COVER/CANOOPY

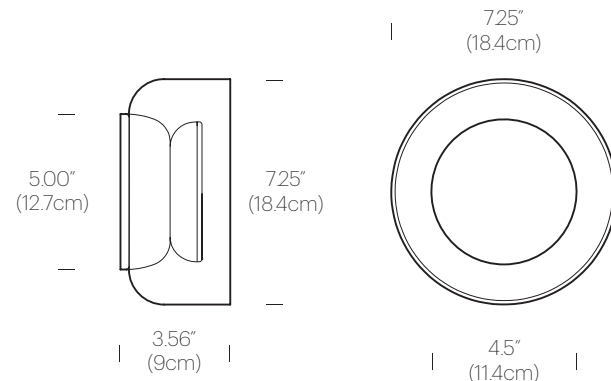


### SHADE

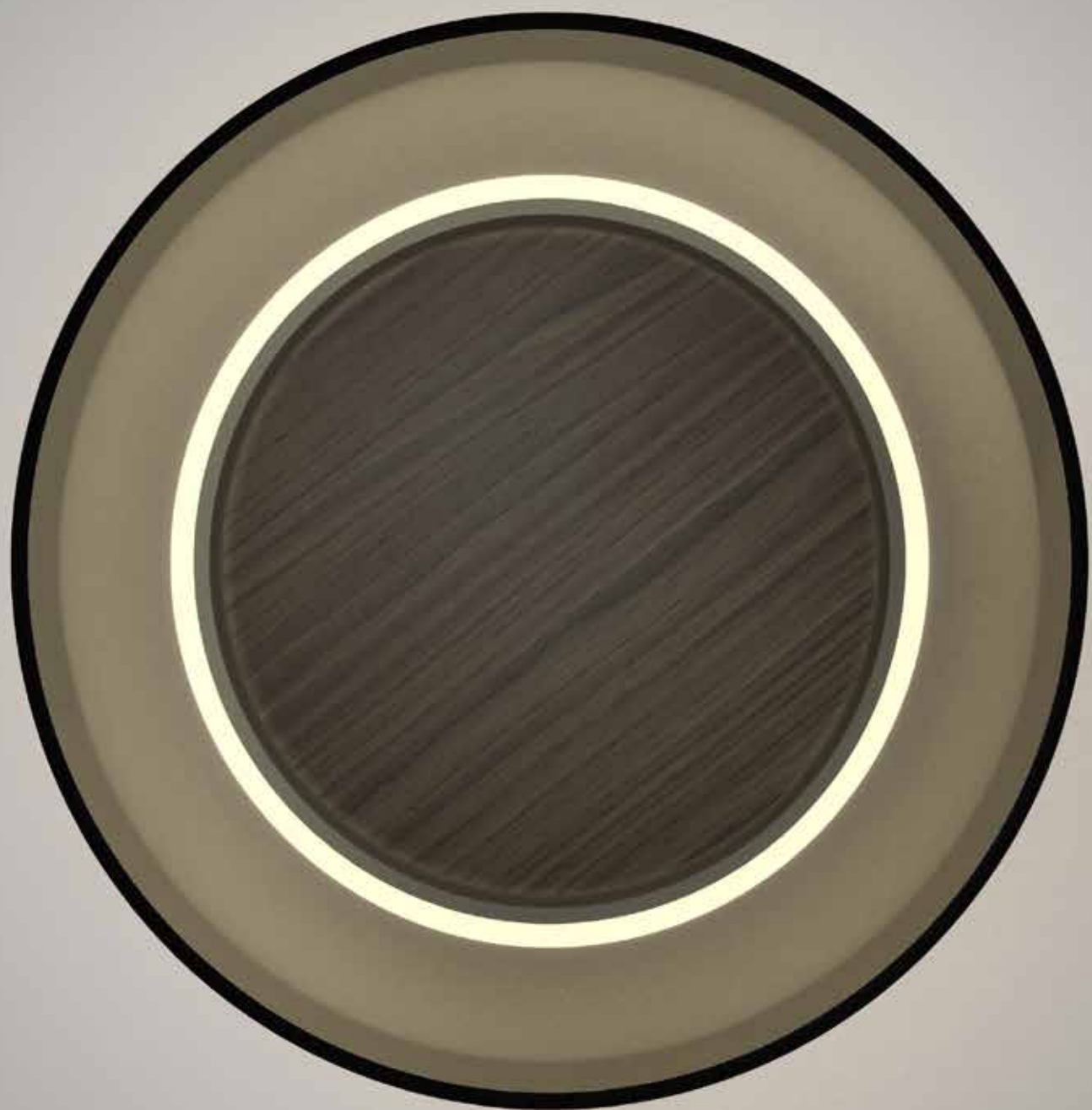


## DIMENSIONS

### TOTEM SCONCE

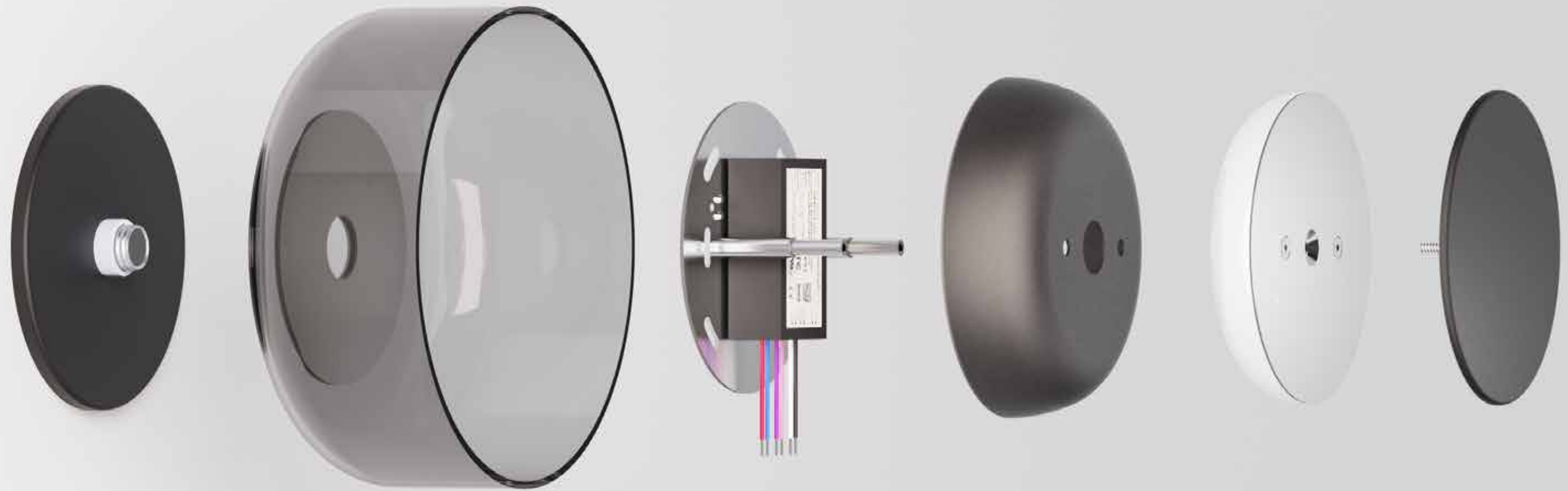
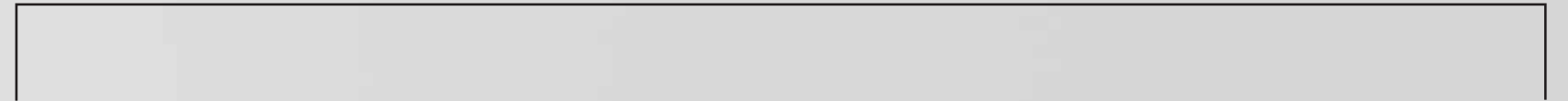




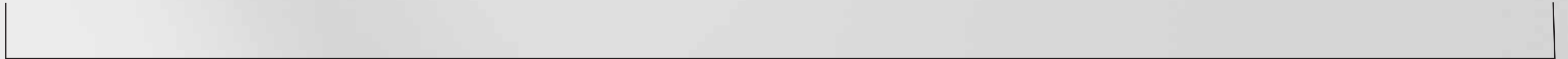


TOTEM WALL HAS AN IP44 DAMP RATING SUITABLE FOR BATH AND OTHER DAMP LOCATIONS.

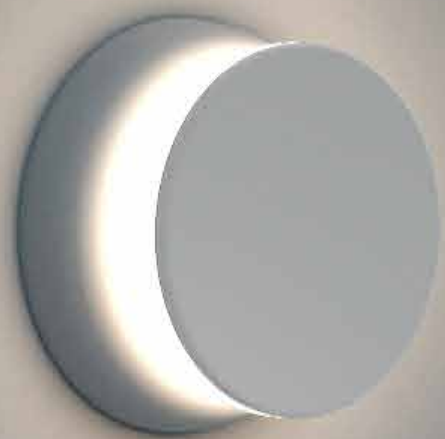
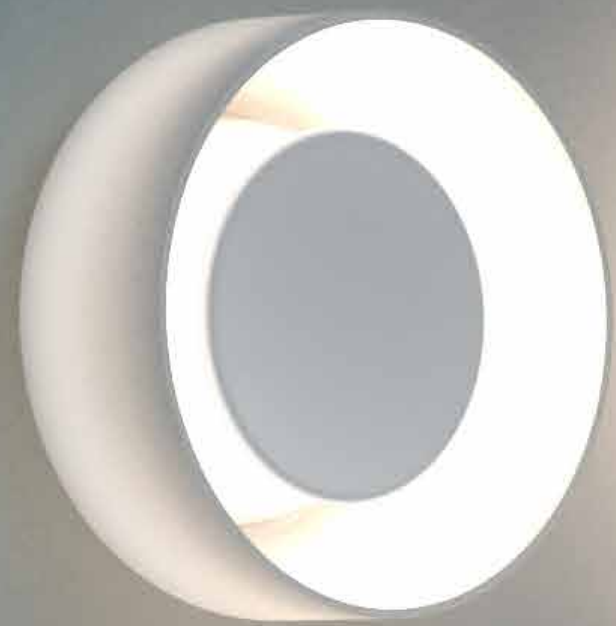
TOTEM PUCK



TOTEM SONCE







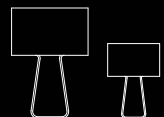




# TUBE TOP

Tube Top comfortably abstracts the classic, domestic lamp silhouette to suit any style of interior. As designer Peter Stathis remarks, "Pablo is well known for their rigorously minimal products, and my goal was to augment that range by introducing a new light that applies a modern sensibility to a traditional lamp type." Playing with that traditional form, Tube Top combines a transparent, sculpted acrylic base to support its lightweight mesh shade in tension, allowing the shade to appear to float freely. Tube Top is available in multiple table and floor models.

Designer:  
Peter Stathis 2006



# TUBE TOP TABLE

## DESCRIPTION


A minimalist statement in form and proportion, Tube Top combines a transparent formed acrylic base to support its elegant mesh fabric shade in tension, steering away from conventional modes of construction. Its lightweight shade appears to float freely, gently tethered by its fabric cable. Tube Top is available in multiple table, floor and pendant models.

## FIXTURE TYPE

Table

## LIGHT SOURCE

TUBETOP 14

US	
Brand: <b>SATCO</b>	
5.5W LED	
3000K	
G16.5 500Lm	

## TUBE TOP 21

US	
Brand: <b>SATCO</b>	
8W LED	
2700K	
E26/BT-15 800Lm	

## LIGHT CONTROL

Full range dim (In-line rotary dimmer)

## FEATURES

Multiple sizes for a variety of applications

## SPECIFICATIONS

Voltage: 120V

Cable length: 6' (182cm)

Color Rendition Index: 90 CRI

## CERTIFICATIONS



## PRODUCT CODES

Tube Top 14 (Silver/Clear):	TUBE 14 GRY/CLR
Tube Top 14 (White/Clear):	TUBE 14 WHT/CLR
Tube Top 14 (White/Char):	TUBE 14 WHT/CHR
Tube Top 14 (Charcoal/Charcoal):	TUBE 14 CHR/CHR
Tube Top 21 (Silver/Clear):	TUBE 21 GRY/CLR
Tube Top 21 (White/Clear):	TUBE 21 WHT/CLR
Tube Top 21 (White/Char):	TUBE 21 WHT/CHR
Tube Top 21 (Charcoal/Charcoal):	TUBE 21 CHR/CHR

## PACKAGING WEIGHT AND DIMENSIONS

TT 14:	3.55LBS	16" X 11" X 5.5"
	1.6KGS	41cm X 28cm X 14cm
TT 21:	9.45LBS	23" X 16" X 8"
	4.3KGS	58cm X 41cm X 20cm

## NOTES

Custom requests can be considered on volume orders



## FINISHES



WHITE/  
CLEAR



WHITE/  
CHARCOAL



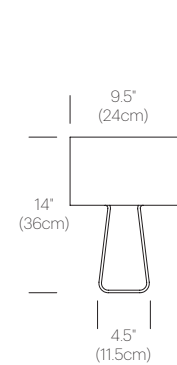
CHARCOAL/  
CHARCOAL



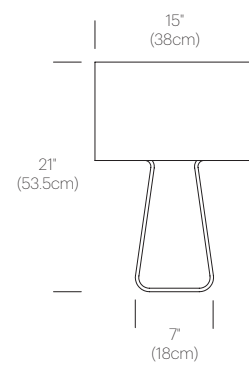
SILVER/  
CLEAR

## DIMENSIONS

TUBE TOP 14



TUBE TOP 21





# TUBE TOP COLORS


## DESCRIPTION

A minimalist statement in form and proportion, Tube Top combines a transparent formed acrylic base to support its elegant mesh fabric shade in tension, steering away from conventional modes of construction. Its lightweight shade appears to float freely, gently tethered by its fabric cable.

## FIXTURE TYPE

Table

## LIGHT SOURCE

US	
Brand: <b>SATCO</b>	
5.5W LED	
3000K	
G165 500Lm	

## LIGHT CONTROL

Full range dim (In-line rotary dimmer)

## FEATURES

Full-range dimmer

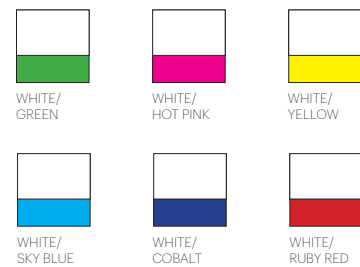
## SPECIFICATIONS

Voltage: 120V  
Cable length: 6' (182cm)  
Color Rendition Index: 90 CRI

## CERTIFICATIONS

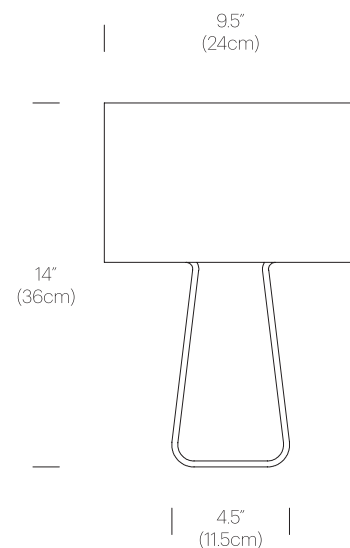


## FINISHES



## DIMENSIONS

TUBE TOP COLOR



## PRODUCT CODES

Tube Top (Yellow):	TUBE 14 YEL
Tube Top (Bright Green):	TUBE 14 GRN
Tube Top (Ruby Red):	TUBE 14 RED
Tube Top (Hot Pink):	TUBE 14 PIN
Tube Top (Sky Blue):	TUBE 14 SKY
Tube Top (Cobalt Blue):	TUBE 14 BLU

## PACKAGING WEIGHT AND DIMENSIONS

TT 14:	3.55LBS	16" X 11" X 5.5"
	1.6KGS	41cm X 28cm X 14cm

## NOTES

Custom requests can be considered on volume orders



# UMA

The revolutionary UMA Sound Lantern redefines the portable lantern for the modern age. Fusing state-of-the-art Warm Dim LED technology with 360° high fidelity surround sound, UMA provides a one of a kind portable light + sound experience, integrated seamlessly into a strikingly elegant design. UMA pairs touch sensitive volume control with an intuitive full-range light control dial and features Bluetooth connectivity to stream the highest quality audio wirelessly from any mobile device. A premium leather strap allows for easy portability, and a protective jacket allows UMA to go anywhere you want to go. Invoking the primal symbol of the lantern and the warmth of a campfire, UMA is the perfect centerpiece for social gatherings and intimate moments indoor and out.

Designer:  
Carmine Deganello, Pablo Pardo + Pablo Studio 2015

Awards:  
[2016 AZURE Magazine People's Choice Award](#)  
[2016 Good Design Award Australia](#)  
[2017 German Design Award](#)  
[2017 Best Lighting, House Beautiful Magazine](#)





# UMA SOUND LANTERN

## DESCRIPTION

The revolutionary UMA Sound Lantern redefines the portable lantern for the modern age. Fusing state-of-the-art Warm Dim LED technology with 360° high fidelity surround sound, UMA provides a one of a kind portable light + sound experience, integrated seamlessly into a strikingly elegant design. Uma pairs touch sensitive volume control with an intuitive full-range light control dial and features Bluetooth connectivity to stream the highest quality audio wirelessly from any mobile device. A premium leather strap allows for easy portability, and a protective jacket allows UMA to go anywhere you want to go. Invoking the primal symbol of the lantern and the warmth of a campfire, UMA is the perfect centerpiece for social gatherings and intimate moments indoor and out.

## FIXTURE TYPE

Portable - rechargeable

## LIGHT SOURCE

(60x) High-output LED array

## LIGHT CONTROL

Warm-dim light control ring

## FEATURES

- Portable and rechargeable
- Full range dim control
- Rich 360 degree sound
- Bluetooth connectivity
- Warm dimming technology
- Optional surface mount available
- Damp rated for indoor and outdoor use

## SPECIFICATIONS

- Voltage: 120-240V 50-60Hz
- Power consumption: 4.5W (light) 12W MAX (speakers)
- Color temperature: 2000-2700K
- Luminosity: 190 Lumens MAX
- Luminaire efficacy: 42 Lumens/Watt
- Color Rendition Index: 90 CRI
- Lithium ion battery: Up to 8 hours of use
- Charging time: Up to 3.5 hours
- Power cable length: 6' (183cm)
- Global multi-plug adapter available
- Patent number: D773,704

## CERTIFICATIONS

TUV, FCC, RoHS



## PRODUCT CODES

UMA SILVER/WHITE	UMA AL/TAN
------------------	------------

## PACKAGING WEIGHT AND DIMENSIONS

UMA:	3LBS	6" X 6" X 11"
	1.4KGS	16cm X 16cm X 15.4cm

## NOTES

Custom requests can be considered on volume orders

298 **Pablo**

AVAILABLE GLOBALLY



## FINISHES

### BASE AND TOP RING



SILVER

### LEATHER STRAP



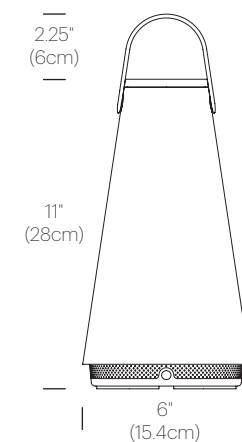
TAN

## DIMENSIONS

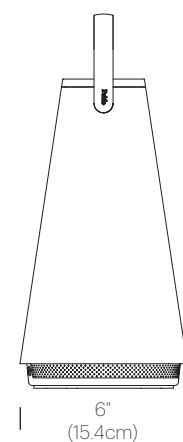
UMA

2.25"  
(6cm)

11"  
(28cm)



6"  
(15.4cm)



6"  
(15.4cm)



**Pablo** 299





# UMA MINI

The revolutionary UMA Mini Sound Lantern redefines the portable lantern for the modern age. Fusing state-of-the-art Warm Dim LED technology with 360° high fidelity surround sound, UMA provides a one of a kind portable light + sound experience, integrated seamlessly into a strikingly elegant design. UMA Mini pairs touch sensitive volume control with an intuitive full-range light control dial and features Bluetooth connectivity to stream the highest quality audio wirelessly from any mobile device. Invoking the primal symbol of the lantern and the warmth of a campfire, UMA is the perfect centerpiece for social gatherings and intimate moments indoor and out.

Designer:  
Carmine Deganello, Pablo Pardo + Pablo Studio 2019

Awards:  
2016 AZURE Magazine People's Choice Award  
2016 Good Design Award Australia  
2017 German Design Award





# UMA MINI

## DESCRIPTION

Introducing UMA Mini, the newest addition to the UMA family, now more portable than ever to travel with you anywhere you go. The revolutionary UMA Mini lantern takes all its cues from its big sister UMA, fusing state-of-the-art LED technology with 360° high fidelity surround sound, while boasting a party mode feature that allows for pairing up to 24 units simultaneously via Bluetooth to create the perfect ambiance. UMA Mini also features touch sensitive volume control and 2 soft light level setting to set the perfect mood. Invoking the primal symbol of the lantern and the warmth of a campfire, UMA Mini is the perfect centerpiece for social gatherings at home, restaurant lounges, and any outdoor setting.

## FIXTURE TYPE

Portable - rechargeable

## LIGHT SOURCE

LED high-output chip on board

## LIGHT CONTROL

Dimmable  
2-stage dim control

## FEATURES

Portable + rechargeable  
2 stage dim control  
Rich 360° sound  
Bluetooth connectivity  
Party Mode up to 24 units  
20 hour battery life (light only)  
15 hour battery life (light & music)  
USB-C Rapid charging

## SPECIFICATIONS

Power Consumption: 4W (light) 8W MAX (speakers)  
Color temperature: 2000K  
Luminosity: 100 Lumens MAX  
Color Rendition Index: 90 CRI  
Battery life: Up to 20 hours  
3 hr charge time (using 10W power plug, not included)  
Power cable length: 6' (183cm)  
IP54 damp rated  
Patent pending

## CERTIFICATIONS



## PRODUCT CODES

Uma Mini	UMA MINI
----------	----------

## PACKAGING WEIGHT AND DIMENSIONS

UMA MINI:	2.5LBS	5.6" X 5.6" X 10"
	1KGS	14cm X 14cm X 25.5cm

## NOTES

Custom requests can be considered on volume orders



## FINISHES



MATTE WHITE



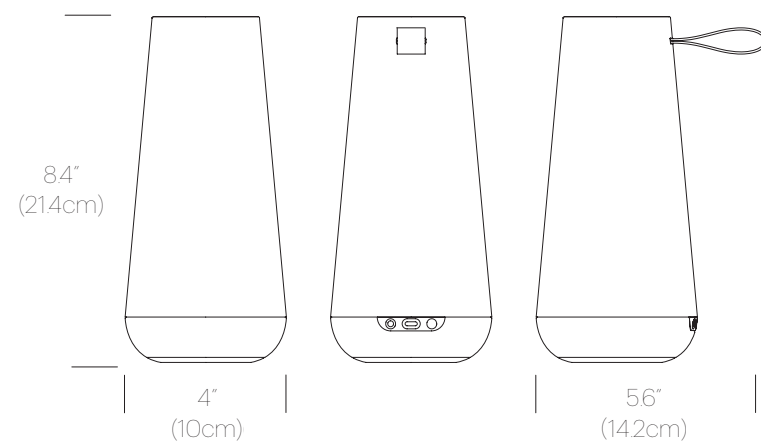
GRAY FABRIC



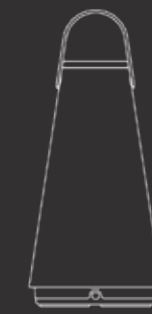
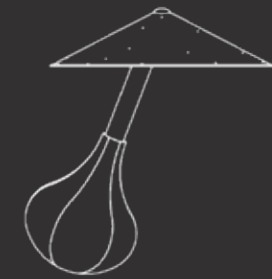
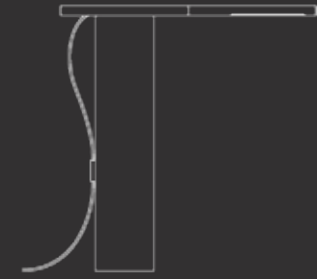
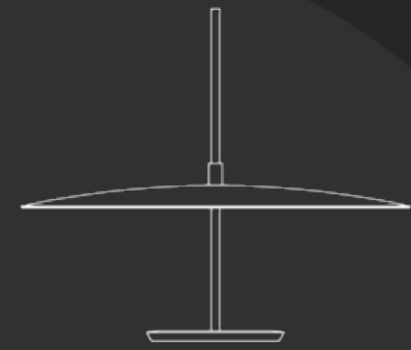
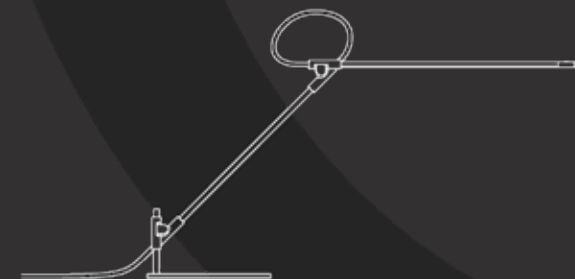
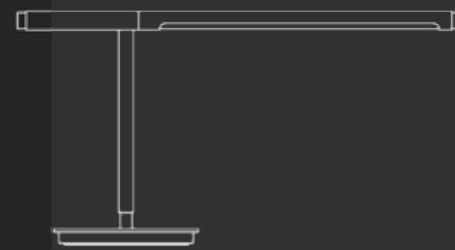
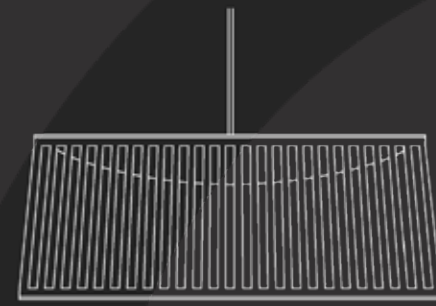
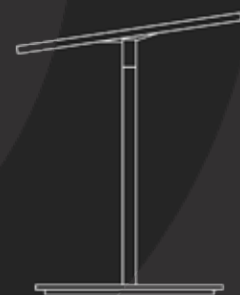
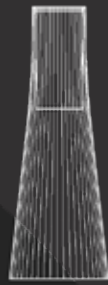
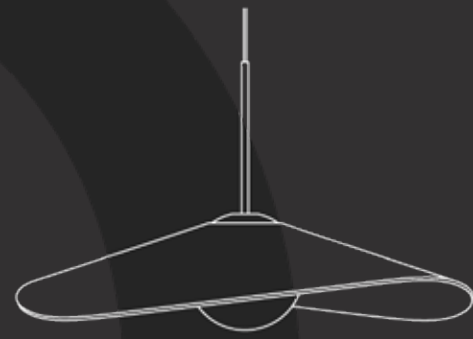
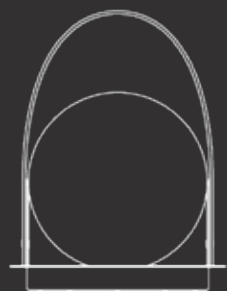
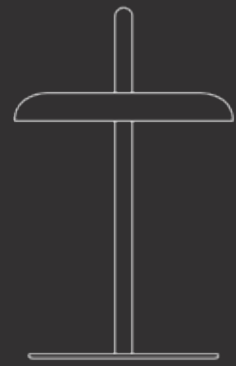
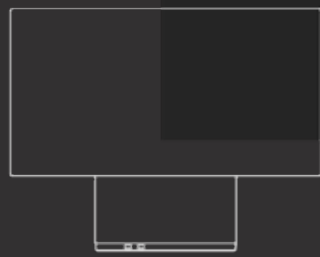
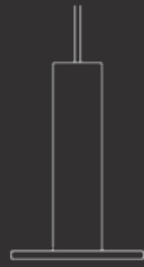
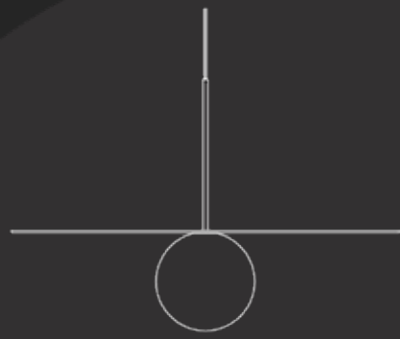
LEATHER HANDLE

## DIMENSIONS

UMA MINI







CELEBRATING  
30 YEARS OF  
ILLUMINATION  
**Pablo**

GLOBAL AVAILABILITY

Belmont Floor  
Belmont Pendant  
Belmont Table

Bola Disc Flush  
Bola Disc Pendant

Bola Felt Pendant

Bola Halo Pendant

Bola Lantern

Bola Sphere Pendant

Bola Sphere Table

Brazo Floor  
Brazo Table

Cielo Plus  
Cielo XL

Candél

Carousel Floor  
Carousel Table

Circa Floor  
Circa Flush  
Circa Pendant  
Circa Table

Contour Floor  
Contour Table

Lim 360

Link Table Medium

Luci Floor  
Luci Table

Nivél Floor  
Nivél Pedestal SM  
Nivél Pedestal LG  
Nivél Table

Nivél Flush  
Nivél Pendant

Pixo Plus  
Pixo Wall

Sky Solo Pendant  
Sky Dome Metal Pendant  
Sky Dome Wood Pedant

Sky Dome Metal Flush  
Sky Dome Wood Flush

Solis 24 Pendant  
Solis 48 Pendant  
Solis 72 Pendant

Solis Drum 24 Pendant  
Solis Drum 36 Pendant

Solis Drum Flush 24  
Solis Drum Flush 36

Superlight Floor  
Superlight Table

Stella

Swell Single  
Swell String Single  
Swell String Mix

Swell XL Single  
Swell XL String Single  
Swell XL String Mix

Talia Floor  
Talia Table

T.O Floor  
T.O Table

T.O Pendant

Totem Flush  
Totem Pendant  
Totem Wall

Uma  
Uma Mini