



Pablo[®]
2024/25
INVENTORY CATALOG

ABOUT PABLO DESIGNS

Pablo's designs have been propelled to the forefront of American contemporary lighting by an uncompromising devotion to simplicity and utility. By fusing the highest technical sensibilities with the most appropriate material palette, Pablo is able to create unique, timeless designs with the power to transform any environment. Pablo was founded in San Francisco in 1993 by Venezuelan born industrial designer Pablo Pardo. Embracing a less-is-more ideology, Pablo frequently challenges traditional design metaphors, developing more practical solutions distilled down to their essence, form and light. A common thread links all of its creations, valuing permanence and sustainability, discarding the disposable mindset so prevalent today. Its mission is to create designs that deepen the relationship between objects, their users, and their environments.

FOUNDER / CREATIVE DIRECTOR

Pablo Pardo

With the creation of his first product in 1993, Pablo established a powerful and generative design philosophy. Since then, his core principles have informed the development of every light in the studio's 30-year history. These products continue to move with culture while withstanding trends in design and each one carries the underlying uniqueness that is distinctly "Pablo."



DESIGN COLLABORATIONS



Carmine Deganello

Based in Amsterdam and Milan, Deganello's creative process begins with materiality and an empirical approach that is highly experimental. Research on materials and the ways in which they can unexpectedly drive the productive process is essential to his work. His lamp, Solis, is a product of Carmine's shared sensibilities and long-term collaboration with Pablo. Deganello has worked extensively in Europe as well as the United States, his projects have been presented, among others, at the Triennale Design Museum as part of the New Italian Design collection. He is a graduate of Florence's Instituto Superiore per la Industrie Artistiche.



Fernando Pardo

Since lending his craftsmanship to companies such as Sony, Dell, Embraer, Compaq, Pablo, BMW, and others, Pardo has been internationally recognized as a leading design thinker. His "Gina" car for BMW won the "Concept Car of the Year" award in 2008, and, in addition to being showcased in the BMW Museum in Munich, continues to serve as the foundation for the company's contemporary auto designs. Most recently Pardo received a 2012 Red Dot Award for his lamp, PIXO, which he created with his twin brother, Pablo founder Pablo Pardo. Fernando is a graduate of the design program at the University of Cincinnati.



Pablo Studio

The Pablo Studio is a small group of makers and inventors with a diverse background in industrial design and craft, and a deep understanding of manufacturing, materials and technology. They aim to foster a sense of discovery and deeply personal utility in people's interaction with objects. In beginning a new project, the team isolates a concept, meticulously refines it, and then reduces it to its central principle. The studio requires each design element to contribute to the essence of an object, following the Pablo philosophy of "less is more." Pablo Studio works together to develop products that offer people unique experiences and broaden the field of lighting design.



BOLA DISC
6-15



BOLA FELT
16-19



BOLA SPHERE
20-31



SKY
62-77



SUPERLIGHT
78-83



SWELL
84-91



CANDÉL
32-35



CAROUSEL
36-41



CIELO XL
42-47



TALIA
92-95



T.O TABLE & FLOOR
96-101



T.O PENDANT
102-109



CONTOUR
48-53



LUCI
54-57



PIXO
58-61



TOTEM
110-131

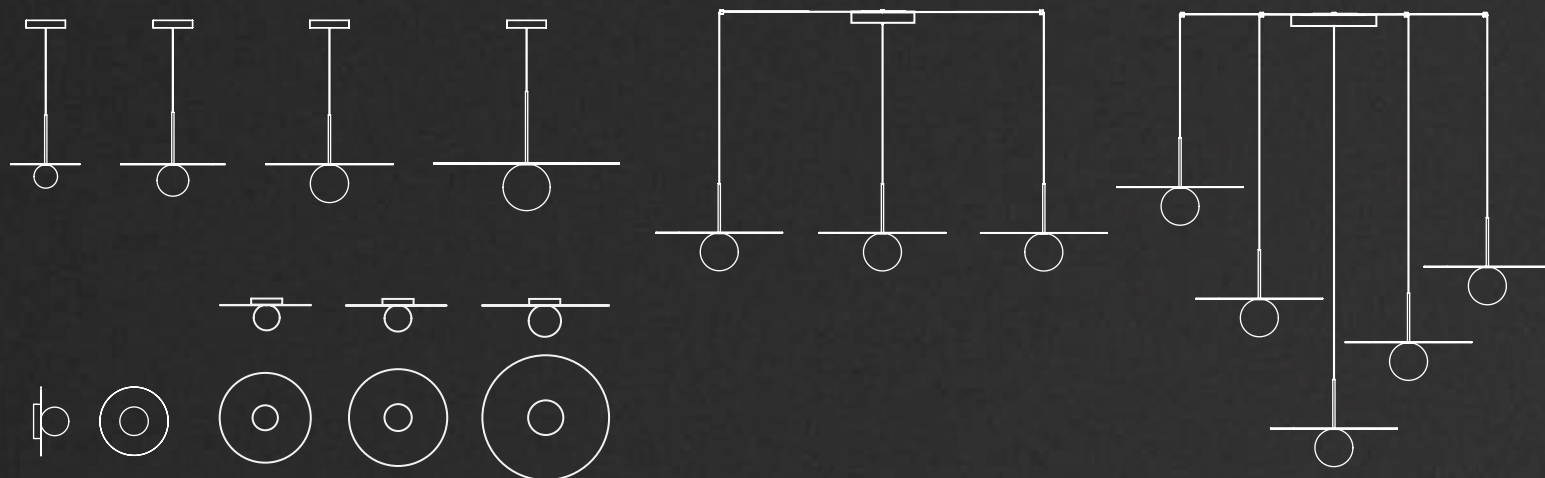


UMA
132-141

BOLA DISC

Bola Disc is a uniquely expressive LED Lighting system featuring a distinctive range of chromated disc reflectors that give the illusion of weightlessness by mirroring its surroundings. Bola Disc pairs an elegant globe diffuser made of opaline glass with exquisitely polished stainless steel or aluminum discs in chrome, brass, rose gold, gunmetal, matte white, and matte black to appease the most discerning tastes. Dependent on size, Bola provides up to 1625 lumens of warm ambient light and is fully dimmable, providing unparalleled illumination. Bola can be suspended individually, in series, or as striking chandelier groupings for residential, contract, and hospitality settings alike.

Designer:
Pablo Pardo + Pablo Studio 2018



BOLA DISC PENDANT

DESCRIPTION

Bola Disc is a uniquely expressive LED Pendant system featuring a distinctive range of chromated disc reflectors that give the illusion of weightlessness by mirroring its surroundings. Available in 4 distinct sizes, Bola Disc pairs an elegant globe diffuser made of opaline glass with exquisitely polished stainless steel or aluminum discs in chrome, brass, rose gold lacquered white, and matte black to appease the most discerning tastes. Dependent on size, Bola provides up to 1625 lumens of warm ambient light and is fully dimmable, providing unparalleled illumination. Bola can be suspended individually, in series, or as striking chandelier groupings for residential, contract, and hospitality settings alike.

FIXTURE TYPE

Pendant

LIGHT SOURCE

Custom integrated LED, high-output chip on board

LIGHT CONTROL



Hard-wired, dimmable
Compatible with TRIAC/ELV and 0-10V dimmers
Dali compatibility upon request

FEATURES

Warm Dim

SPECIFICATIONS

Voltage: 120V-277V 50/60Hz
Power Consumption: 6W (12", 18"), 12W (22"), 20W (32")
Color Temperature: 2700K-1800K (Warm Dim)
Luminosity: 290Lm (12"), 290Lm (18"), 800Lm (22"), 1625Lm (32")
Luminaire Efficacy: 48Lm/W (12",18"), 66Lm/W (22"), 80 Lm/W (32")
Color Rendition Index: 95 CRI
50K hour lifespan
Cord Length: 8.9' (2.9m) (Field cuttable)

CERTIFICATIONS  

PRODUCT CODES (ENTER DISC SIZE IN BLANK SPACE)

Bola Disc (Chrome): BOLA CRM
Bola Disc (Brass): BOLA BRA

PACKAGING WEIGHT AND DIMENSIONS

Bola Disc 12	4LBS	15" X 7"
(Steel Shade)	1.8KG	38cm X 18cm
Bola Disc 12	2.4LBS	15" X 7"
(White Aluminum Shade)	1.1KG	38cm X 18cm
Bola Disc 18	8.6LBS	20.75" X 8"
(Steel Shade)	3.9KG	53cm X 20cm
Bola Disc 18	6.75LBS	20.75" X 8"
(White Aluminum Shade)	3KG	53cm X 20cm
Bola Disc 22	12.25LBS	24" X 10"
(Steel Shade)	5.6KG	61cm X 25cm
Bola Disc 22	9LBS	24" X 10"
(White Aluminum Shade)	4.1KG	61cm X 25cm
Bola Disc 32	23.8LBS	34.5" X 10.5"
(Steel Shade)	10.8KG	87.6cm X 27cm
Bola Disc 32	17.5LBS	34.5" X 10.5"
(White Aluminum Shade)	7.9KG	87.6cm X 27cm

NOTES

3000K and 3500K CCT Models Available Upon Request.
(Please inquire for MOQ, Leadtime)
Custom requests can be considered on volume orders.



AVAILABLE EU FINISHES

BOLA DISC



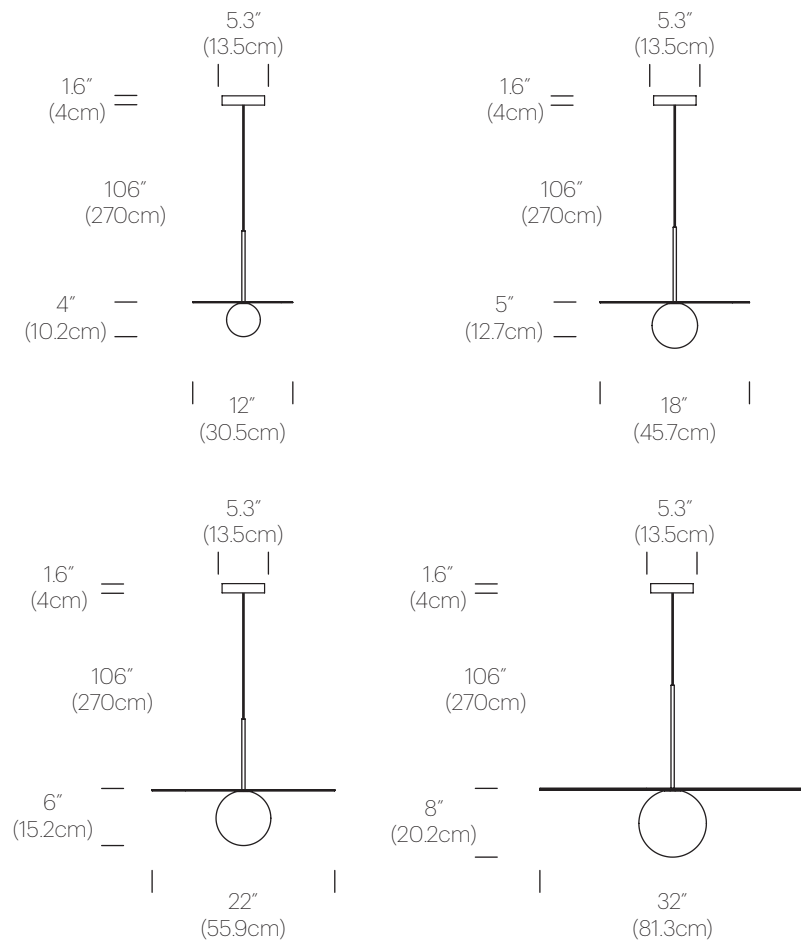
CHROME



BRASS

DIMENSIONS

BOLA DISC 12, 18, 22, 32



BOLA DISC MULTI-LIGHT

DESCRIPTION

Bola's elegant reflective disc and globe design can be suspended in a variety of custom arrangements in both round and linear configurations. With Bola Disc Multi-Light, up to 11 lamps can be grouped together in a variety of mixed disc sizes to form stunning luminaire displays. Both size and shape of the grouping is controlled by lamp quantity and positioning relative to the Multi-Light canopy. Swag mounts are provided to extend the lights out into space along with an ample cord length of 8.9' (2.7m) to offer a wide array of unique solutions.

FIXTURE TYPE

Pendant

LIGHT SOURCE

Custom integrated LED, high-output chip on board

PRODUCT CODES

Multi-Light Canopy 9" (White):	BOLA CAN 9 WHT
Multi-Light Canopy 9" (Black):	BOLA CAN 9 BLK
Multi-Light Canopy 12" (White):	BOLA CAN 12 WHT
Multi-Light Canopy 12" (Black):	BOLA CAN 12 BLK

CERTIFICATIONS



PACKAGING WEIGHTS AND DIMENSIONS

Multi-Light Canopy 9"	4.3LBS	12" X 12" X 6"
	2KG	30.5cm X 30.5cm X 15cm
Multi-Light Canopy 12"	6.6LBS	12" X 12" X 6"
	3KG	30.5cm X 30.5cm X 15cm

NOTES

Custom requests can be considered on volume orders.

BOLA Multi-Light Canopy
Small (Ø9" OD) Up to 6



or

BOLA Multi-Light Canopy
Large (Ø12" OD) 7 to 11



FINISHES

CANOPY



WHITE



BLACK



2, 3, 4, 5, 6... 11

ROUND



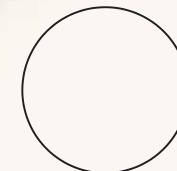
LINEAR



MULTI-LIGHT CANOPY DIMENSIONS



9"
(22.8cm)



12"
(30.5cm)

BOLA DISC FLUSH

DESCRIPTION

A study in refined simplicity, Bola Flush offers a magical combination of mirror and globe refined down to its bare essentials. The objective with the Bola Flush is to provide both direct and reflected light from either ceiling or wall mounted vantage points. Bola Flush brings elegance and refinement with four sizes and five finishes in chrome, brass, rose gold, gunmetal, white, and matte black. An ideal fixture for adding diffused and reflected light in hallway corridors, nooks, dining settings, bedrooms, or living areas. Stunning groupings can also be created by mixing different sizes together to form unique custom light displays.

FIXTURE TYPE

Wall/Ceiling

LIGHT SOURCE

Custom integrated LED, high-output chip on board

LIGHT CONTROL

Hard-wired, dimmable
Compatible with TRIAC/ELV and 0-10V dimmers
Dali compatibility upon request

FEATURES

Warm Dim

SPECIFICATIONS

Voltage: 120V-277V 50/60Hz
Power Consumption: 6W (12", 18"), 12W (22"), 20W (32")
Color Temperature: 2700K-1800K (Warm Dim)
Luminosity: 290 Lumens (12"), 290 Lumens (18"), 800 Lumens (22"), 1625 Lumens (32")
Luminaire Efficacy: 48Lm/W(12",18"), 66Lm/W(22"), 80 Lm/W (32")
Color Rendition Index: 95 CRI
50K hour lifespan

CERTIFICATIONS



PRODUCT CODES (ENTER DISC SIZE IN BLANK SPACE)

Bola Disc Flush (Chrome):	BOLA FSH CRM
Bola Disc Flush (Brass):	BOLA FSH BRA
Bola Disc Flush Standoff	BOLA FSH STAND

PACKAGING WEIGHT AND DIMENSIONS

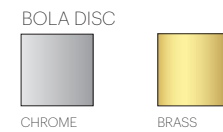
Bola Disc 12	4LBS	15" X 15" X 7"
(Steel Shade)	1.8KG	38cm X 38cm X 18cm
Bola Disc 12	2.4LBS	15" X 15" X 7"
(White Aluminum Shade)	1.1KG	38cm X 38cm X 18cm
Bola Disc 18	8.6LBS	20.75" X 20.75" X 8"
(Steel Shade)	3.9KG	53cm X 53cm X 20cm
Bola Disc 18	6.75LBS	20.75" X 20.75" X 8"
(White Aluminum Shade)	3KG	53cm X 53cm X 20cm
Bola Disc 22	12.25LBS	24" X 24" X 10"
(Steel Shade)	5.6KG	61cm X 61cm X 25cm
Bola Disc 22	9LBS	24" X 24" X 10"
(White Aluminum Shade)	4.1KG	61cm X 61cm X 25cm
Bola Disc 32	23.8LBS	34.5" X 34.5" X 10.5"
(Steel Shade)	10.8KG	87.6cm X 87.6cm X 27cm
Bola Disc 32	17.5LBS	34.5" X 34.5" X 10.5"
(White Aluminum Shade)	7.9KG	87.6cm X 87.6cm X 27cm

NOTES

3000K and 3500K CCT Models Available Upon Request.
(Please inquire for MOQ, Leadtime)
Custom requests can be considered on volume orders.

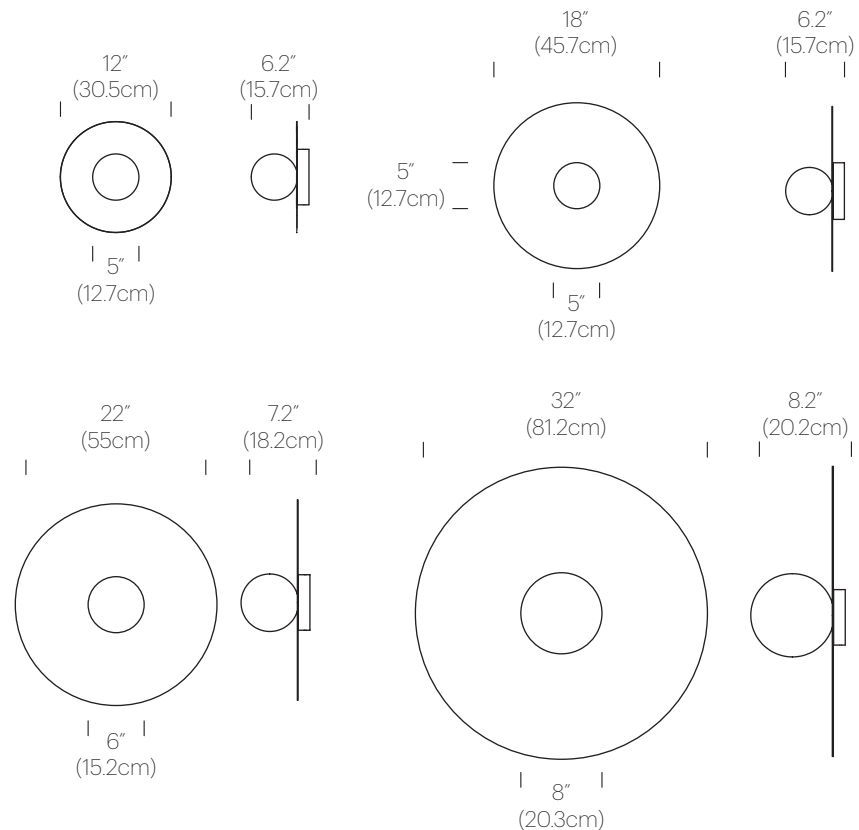


AVAILABLE EU FINISHES



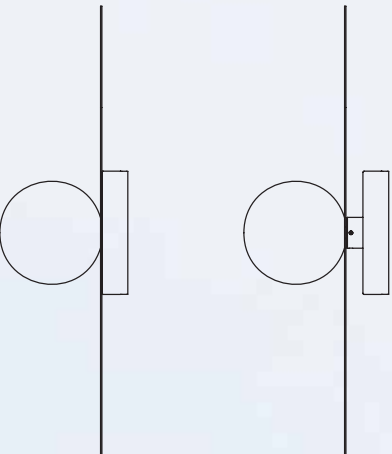
DIMENSIONS

BOLA DISC FLUSH 12, 18, 22, 32



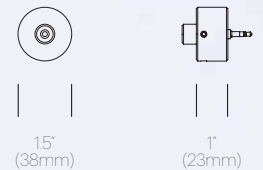
BOLA DISC FLUSH GROUPING

Stunning compositions can be created by mixing or matching different sizes and finishes together to form unique customized light clusters.



1" add-on standoff allows for overlapping disc groupings

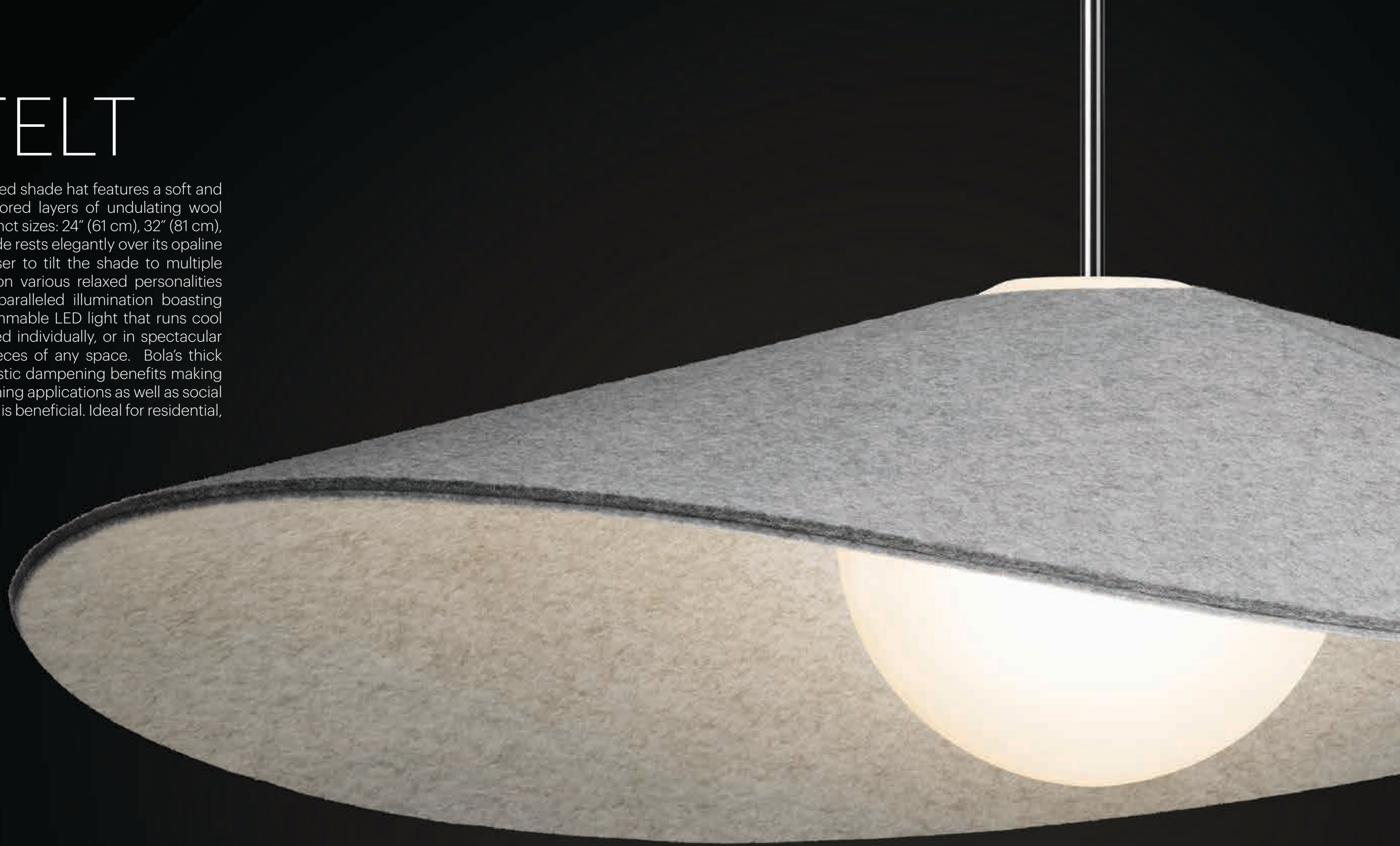
PRODUCT CODE
BOLA FSH STAND



BOLA FELT

Bola Felt's charmingly expressive felted shade hat features a soft and pliable conical structure with 2 colored layers of undulating wool inside and out. It is available in 4 distinct sizes: 24" (61 cm), 32" (81 cm), 42" (107cm), and 52" (132cm). Its shade rests elegantly over its opaline glass globe diffuser allowing the user to tilt the shade to multiple angles to focus light while taking on various relaxed personalities in the process. Bola Felt casts unparalleled illumination boasting up to 1625 lumens of warm and dimmable LED light that runs cool to the touch. Bola can be suspended individually, or in spectacular groupings to become the centerpieces of any space. Bola's thick felt shade also offers excellent acoustic dampening benefits making them perfectly suited for use over dining applications as well as social gathering areas where sound control is beneficial. Ideal for residential, lounge and hospitality spaces alike.

Designer:
Pablo Pardo + Pablo Studio 2018



BOLA FELT

DESCRIPTION

Bola Felt is a uniquely expressive pendant light that features an undulating 100% wool felt shade that's adjustable to focus light to any desired direction. Bola Felt's acoustic properties provide excellent noise dampening characteristics that are perfectly suited for dining areas or quiet zones in the workplace. The shade is available in 4 distinct sizes: 24" (61cm), 32" (81cm), 42" (106cm), and 52" (132cm) with mating opaline globe diffuser sizes: 6" (15cm), 8" (20cm), 10" (25cm), and 12" (30cm) diameters. Bola Felt casts up to 1625 lumens of warm ambient light and is fully dimmable to set the ambiance.

FIXTURE TYPE

Pendant

LIGHT SOURCE

Custom integrated LED, high-output chip on board

LIGHT CONTROL

Hard-wired, dimmable
Compatible with TRIAC/ELV and 0-10V dimmers

FEATURES

Adjustable Shade
Acoustic Dampening
Fully Dimmable
Warm Dim

SPECIFICATIONS

Voltage: 120V-277V 50/60Hz
Power Consumption: 12W (24"), 20W (32"/42"/52")
Color Temperature: 2700K-1800K (Warm Dim)
Luminosity: 800 Lumens (24"), 1625 Lumens (32",42",52")
Luminaire efficacy: 66Lm/W (24"), 80 Lm/W (32",42",52")
Color Rendition Index: 95 CRI
50K hour lifespan
Cable Length: 8.9' (2.7m) (Field cuttable)

CERTIFICATIONS



FINISHES

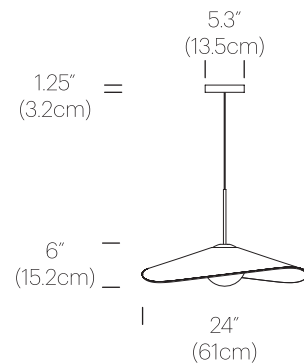
BOLA FELT



PEBBLE/
GREY

DIMENSIONS

BOLA FELT 24



PRODUCT CODES

Bola Felt 24: BOLA 24 FELT

PACKAGING WEIGHT AND DIMENSIONS

Bola Felt 24	8.75LBS	25" X 25" X 10"
	4KG	64cm X 64cm X 25cm

NOTES

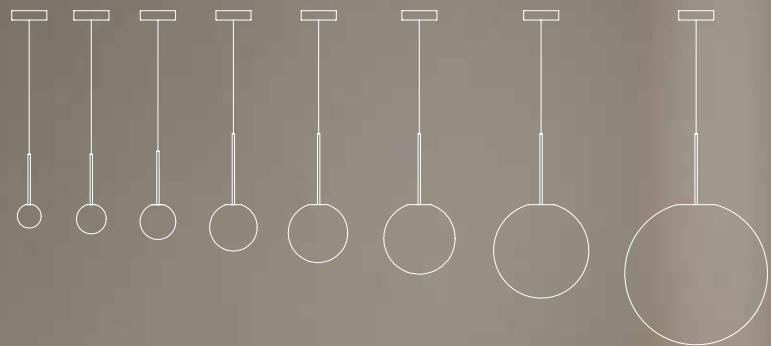
3000K and 2700K CCT Models Available Upon Request.
Custom requests can be considered on volume orders.



BOLA SPHERE

Bola Sphere is the basic foundation of the Bola Collection. Bola Sphere Pendant features an elemental interplay between post and sphere with a seductive opal blown glass shade available in 8 distinct sizes: 4" (10cm), 5" (13cm), 6" (15cm), 8" (20cm), 10" (25.5cm), 12" (30.5cm), 16" (40cm), and 24" (60cm) paired with a polished steel post in chrome, brass, rose gold, gunmetal, matte black and white finishes with mating canopies. Bola Sphere Pendant can also be suspended in exquisite Chandelier groupings that allow mixing of globe sizes for stunning displays in any residential, contract or hospitality setting alike. The Bola Sphere Flush brings equal ambiance and elegance to wall and ceiling surfaces combining 7 Globe sizes. Canopies are available in chrome, brass, matte black and white finishes. Bola Sphere Flush offers full range dimming light control to create the perfect setting for hospitality and living areas alike.

Designer:
Pablo Pardo + Pablo Studio 2019



BOLA SPHERE PENDANT

DESCRIPTION

The Bola Sphere pendant is the basic foundation of the Bola Collection, featuring an elemental interplay between post and sphere. Its seductive opal blown glass shade is available in 8 distinct sizes (4" (10cm), 5" (13cm), 6" (15cm), 8" (20cm), 10" (25.5cm), 12" (30.5cm), 16" (40cm), and 24" (60cm) paired with a chromated stainless steel post in chrome, brass, rose gold, gunmetal, matte black and white with mating canopies. Bola Sphere is also available in exquisite chandelier groupings that allow mixing of globe sizes for stunning displays in any residential, contract or hospitality settings alike.

FIXTURE TYPE

Pendant

LIGHT SOURCE

Custom integrated LED, high-output chip on board

LIGHT CONTROL

Hard-wired, dimmable - Compatible with TRIAC/ELV and 0-10V dimmers
Dali compatibility upon request

FEATURES

Fully Dimmable
Warm Dim

SPECIFICATIONS

Voltage: 120V-277V 50/60Hz
Power Consumption: 6W (4", 5"), 12W (6"), 20W (8", 10", 12", 16")
Color Temperature: 2700K-1800K (Warm Dim)
Luminosity: 290 Lumens (4"), 305 Lumens (5"), 800 Lumens (6"), 1625 Lumens (8", 10", 12", 16")
Luminaire Efficacy: 62 Lm/W(average)
Color Rendition Index: 95 CRI
50K hour lifespan
Cord Length: 8.9' (2.7m) (Field cuttable)

CERTIFICATIONS



AVAILABLE EU FINISHES



DIMENSIONS

BOLA SPHERE 4, 5, 6, 8, 10, 12, 16,

PRODUCT CODES (ENTER GLOBE SIZE IN BLANK SPACE)

Bola Sphere ___ (Chrome): BOLA SPH ___ CRM
Bola Sphere ___ (Brass): BOLA SPH ___ BRA

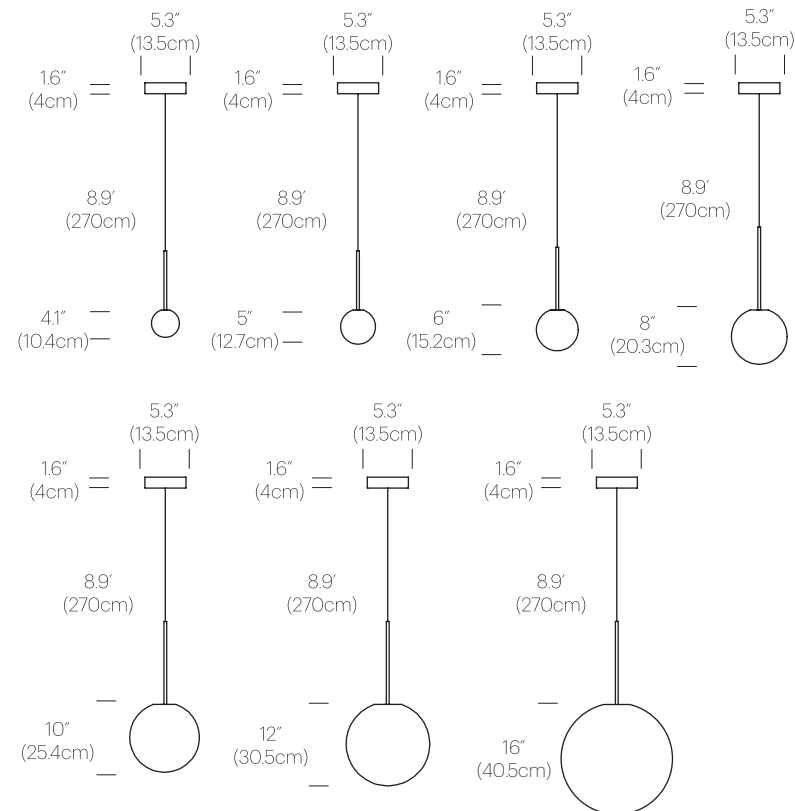
PACKAGING WEIGHT AND DIMENSIONS

Bola Sphere 4	2.6LBS 1.2KG	10" X 9" X 8.5" 25cm X 23cm X 22cm
Bola Sphere 5	3LBS 1.4KG	10" X 9" X 8.5" 25cm X 23cm X 22cm
Bola Sphere 6	3.5LBS 1.6KG	11.5" X 9" X 10.5" 29cm X 23cm X 27cm
Bola Sphere 8	5LBS 2.28KG	12" X 12" X 12.25" 30cm X 30cm X 31cm
Bola Sphere 10	5.5LBS 2.5KG	14" X 14" X 16.5" 36cm X 36cm X 42cm
Bola Sphere 12	7.2LBS 3.3KG	18" X 18" X 18" 46cm X 46cm X 46cm
Bola Sphere 16	8LBS 3.6KG	20" X 20" X 20" 50cm X 50cm X 50cm
Bola Sphere 24	15LBS 6.8KG	24.5" X 24.5" X 24.5" 62cm X 62cm X 62cm

NOTES

Bola 4-16 : Opal glass globe, Bola 24: Ethylene Polymer globe
3000K and 3500K CCT Models Available Upon Request.
(Please inquire for MOQ, Leadtime)

Custom requests can be considered on volume orders





BOLA SPHERE CHANDELIER

DESCRIPTION

The Bola Sphere pendant chandelier is the basic foundation of the Bola Collection, featuring an elemental interplay between post and sphere. Its seductive opal blown glass shade is available in 8 distinct sizes (4" (10cm), 5" (13cm), 6" (15cm), 8" (20cm), 10" (25.5cm), 12" (30.5cm), 16" (40cm), and 24" (60cm) paired with a chromated stainless steel post in chrome, brass, rose gold, gunmetal, and matte black. Two sizes of canopy are available to accommodate Bola Sphere is also available in exquisite Chandelier groupings that allow mixing of globe sizes for stunning displays in any residential, contract or hospitality setting alike.

FIXTURE TYPE

Pendant

LIGHT SOURCE

Custom integrated LED, high-output chip on board

LIGHT CONTROL

Hard-wired, dimmable
Compatible with TRIAC/ELV and 0-10V dimmers
Dali compatibility upon request

FEATURES

Fully Dimmable
Warm Dim
17" Canopy: Up to 7 lamps
26" Canopy: Up to 13 lamps

CERTIFICATIONS



AVAILABLE EU FINISHES

BOLA SPHERE



CHROME

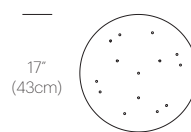
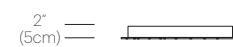


BRASS

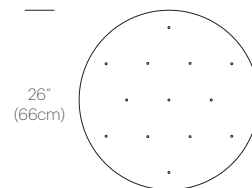
DIMENSIONS

CHANDELIER CANOPY 17", 26"

CHANDELIER CANOPY 17"



CHANDELIER CANOPY 26"



PRODUCT CODES

17" Chandelier Canopy:	CHND CAN 17
26" Chandelier Canopy:	CHND CAN 26

PACKAGING WEIGHTS AND DIMENSIONS

Chandelier canopy 17":	15LBS	22" X 22" X 6"
	6.8KGS	56cm X 56cm X 15cm
Chandelier canopy 26":	30LBS	32" X 32" X 6"
	13.6KGS	81cm X 81cm X 15cm

NOTES

Custom requests can be considered on volume orders





BOLA SPHERE FLUSH

DESCRIPTION

Flush mount versions are available in the full range of Bola globe sizes (4", 5", 6", 8", 10", 12", 16") paired with up to 4 premium canopy finishes. Lamps can be grouped in multi-axis configurations and sizes to provide delightful dots of illumination throughout any space.

FIXTURE TYPE

Wall/Ceiling

LIGHT SOURCE

Custom integrated LED, high-output chip on board

LIGHT CONTROL

Hard-wired, dimmable - Compatible with TRIAC/ELV and 0-10V dimmers

Dali compatibility upon request

FEATURES

Fully Dimmable

Warm Dim

SPECIFICATIONS

Voltage: 120V-277V 50/60Hz

Power Consumption: 6W (4", 5"), 12W (6"),

20W (8", 10", 12")

Color Temperature: 2700K-1800K (Warm Dim)

Luminosity: 290 Lumens (4"), 305 Lumens (5"), 800

Lumens (6"), 1625 Lumens (8", 10", 12")

Luminaire Efficacy: 62 Lm/W(average)

Color Rendition Index: 95 CRI

50K hour lifespan

CERTIFICATIONS



AVAILABLE EU FINISHES

BOLA SPHERE FLUSH



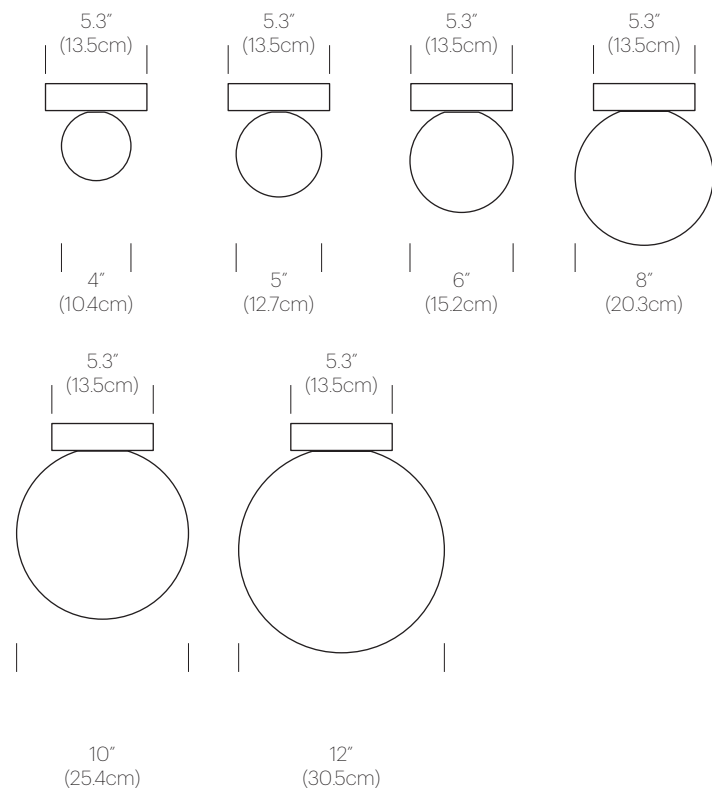
CHROME



BRASS

DIMENSIONS

BOLA SPHERE FLUSH 4, 5, 6, 8, 10, 12



PRODUCT CODES (ENTER GLOBE SIZE IN BLANK SPACE)

Bola Sphere Flush (Chrome):	BOLA SPH FSH _ CRM
Bola Sphere Flush (Brass):	BOLA SPH FSH _ BRA

PACKAGING WEIGHT AND DIMENSIONS

Globe Size	Weight (LBS)	Weight (KG)	Dimensions (inches)	Dimensions (cm)
Bola Sphere 4	2.6LBS	1.2KG	10" X 9" X 8.5"	25cm X 23cm X 22cm
Bola Sphere 5	3LBS	1.4KG	10" X 9" X 8.5"	25cm X 23cm X 22cm
Bola Sphere 6	3.5LBS	1.6KG	11.5" X 9" X 10.5"	29cm X 23cm X 27cm
Bola Sphere 8	5LBS	2.28KG	12" X 12" X 12.25"	30cm X 30cm X 31cm
Bola Sphere 10	5.5LBS	2.5KG	14" X 14" X 16.5"	36cm X 36cm X 42cm
Bola Sphere 12	7.2LBS	3.3KG	18" X 18" X 18"	46cm X 46cm X 46cm

NOTES

3000K and 3500K CCT Models Available Upon Request.

(Please inquire for MOQ, Leadtime)

Custom requests can be considered on volume orders

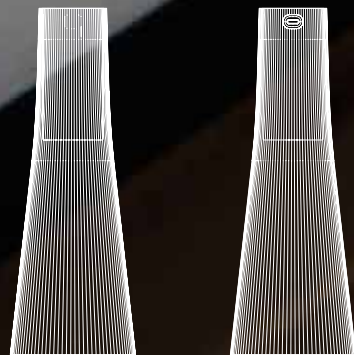


CANDÉL

Inspired by a cone of light, Candél's graceful vessel-like silhouette is in perfect harmony with its surroundings allowing the environment to filter through. Candél casts a warm, intimate candle-like glow that's sure to seduce and become the central focus of any social gathering. Candél is a fully rechargeable portable LED light designed for both indoors and outdoors. Features a robust PMMA body in clear, bronze, or smoked tint combined with a striking anodized aluminum light module that offers capacitive touch light control to provide up to 4 light levels to set the perfect ambiance. Battery life ranges from 10 to 150+ hours depending on light intensity.

Designer:
Pablo Pardo + Pablo Studio 2020

Awards:
2020 Hospitality Design Product Award
2021 International Design Award



CANDÉL

DESCRIPTION

Candél is a fully rechargeable portable LED light designed for both indoors and outdoors. Features a robust PMMA body in Clear, Bronze or Smoke tint combined with a striking anodized aluminum light module available in anodized silver, black, brass, or matte white paint. Candél uses capacitive touch technology for adjusting light intensity. Battery life: 10-150+ hours depending on light intensity.

FIXTURE TYPE

Portable

LIGHT SOURCE

LED High-Output chip on board

LIGHT CONTROL

Capacitive touch switch
4-stage dimming (100/70/30/7%)

FEATURES

Portable and rechargeable
10-150+hr battery life
USB charging cable included

SPECIFICATIONS

Power Consumption: 2W
Color Temperature: 2500-1800K (Warm Dim)
Luminosity: 110 Lumens
Luminaire Efficacy: 55 Lumens/Watt
Color Rendition Index: 94 CRI
Cable length: 6' (183cm)
IP Rating: IP20. IP54 Available upon request

CERTIFICATIONS



FINISHES

CANDÉL



CLEAR/SILVER



CLEAR/WHITE



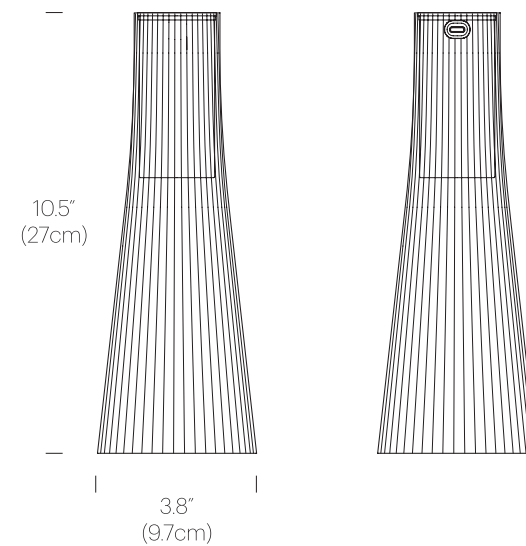
SMOKE/BLACK



BRONZE/BRASS

DIMENSIONS

CANDÉL



PRODUCT CODES

Candél (Smoke/Black):	CAND BLK
Candél (Bronze/Brass):	CAND BRZ
Candél (Clear/Silver):	CAND CLR
Candél (Clear/White):	CAND WHT

PACKAGING WEIGHT AND DIMENSIONS

Candél:	1.5LBS	4" X 11.8"
	.68KG	10cm X 30cm

NOTES

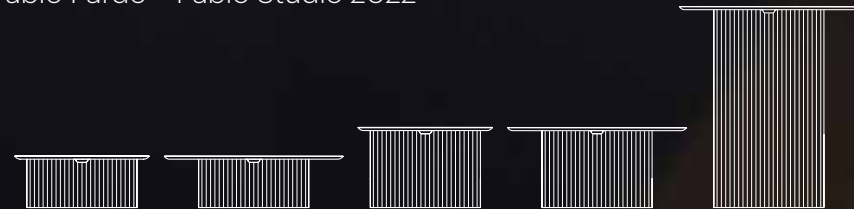
Custom requests can be considered on volume orders



CAROUSEL

Carousel blurs the line between ambiance and utility combining a low setting wireless charging tray surface for your mobile devices with warm, glare-free illumination. It's low profile LED light module is discreetly concealed below its mating tray and suspended atop a transparent fluted acrylic cylinder diffuser that radiates mesmerizing light patterns onto the table surface below. Perfectly suited for desktop or bedside use, Carousel embodies a uniquely hybrid perspective on what a personal light can be. The base diffuser is offered in both clear and bronze tint and can be paired with a spun steel tray in matte white, terra cotta, and black finishes.

Designer:
Pablo Pardo + Pablo Studio 2022



CAROUSEL FLOOR

DESCRIPTION

Carousel blurs the line between ambiance and utility combining a low setting wireless charging tray surface for your mobile devices with warm, glare-free illumination. Its low profile LED light module is discreetly concealed below its mating tray and suspended atop a transparent fluted acrylic cylinder diffuser that radiates mesmerizing light patterns onto the table surface below. Perfectly suited for desktop or bedside use, Carousel embodies a uniquely hybrid perspective on what a personal light can be. The base diffuser is offered in both clear and bronze tint and can be paired with a spun steel tray in White, Terracotta, and Black.

FIXTURE TYPE

Floor

LIGHT SOURCE

Flat Panel LED

LIGHT CONTROL

Capacitive touch switch (3-stage dimming 100/40/10%)

FEATURES

Wireless charging w/ indicator light (2)
USB-C charging port

SPECIFICATIONS

Voltage: 120-240V 50/60Hz
Power Consumption: 7W
Color Temperature: 2700-2200K
Luminosity: 425 Lumens
Luminaire Efficacy: 61 Lumens/Watt
Color Rendition Index: 90 CRI
Cable length: 6' (183cm)

CERTIFICATIONS



FINISHES

DIFFUSER



BRONZE

TRAY



TERRACOTTA



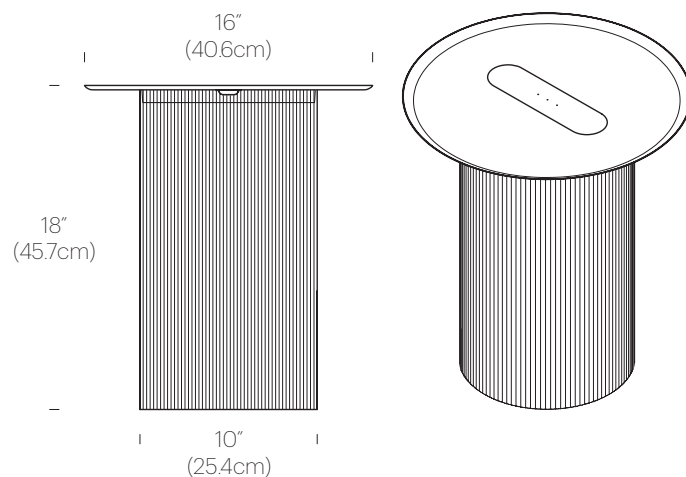
WHITE



BLACK

DIMENSIONS

CAROUSEL FLOOR



PRODUCT CODES

Carousel Floor (Black/Bronze):	CARO FLR BRZ 16 BLK
Carousel Floor (Black/Clear):	CARO FLR CLR 16 BLK
Carousel Floor (White/Bronze):	CARO FLR BRZ 16 WHT
Carousel Floor (White/Clear):	CARO FLR CLR 16 WHT
Carousel Floor (Terracotta/Bronze):	CARO FLR BRZ 16 TER
Carousel Floor (Terracotta/Clear):	CARO FLR CLR 16 TER

PACKAGING WEIGHTS AND DIMENSIONS

Carousel Floor:	3.5LBS	17" X 17" X 20"
(Base)	1.6KG	43cm X 43cm X 51cm

NOTES

Custom requests can be considered on volume orders





CIELO XL

The minimalist Cielo pendant Series is expanding to include the stunning new Cielo XL, a taller and slimmer design offering premium machined aluminum finishes and boasting a warm and brilliant 1200 lumen output. Cielo XL is scaled perfectly for hospitality and residential environments alike and can be suspended individually, in a series or as chandelier groupings to provide directional illumination that is both perfectly balanced and glare free. Cielo XL is fully dimmable and employs state of the art flat panel LED technology which is rated for up to 50K hours of use.

Designer:
Pablo Studio 2018



CIELO XL

DESCRIPTION

The minimalist Cielo pendant Series is expanding to include the stunning new Cielo XL, a taller and slimmer design offering premium machined aluminum finishes and boasting a warm and brilliant 1200 lumen output. Cielo XL is scaled perfectly for hospitality and residential environments alike and can be suspended individually, in a series or as chandelier groupings to provide focused illumination that is both perfectly balanced and glare free. Cielo XL is fully dimmable and employs state of the art flat panel LED technology which is rated for up to 50K hours of use.

FIXTURE TYPE

Pendant

LIGHT SOURCE

LED Flat-Panel

LIGHT CONTROL

Hard-wired, dimmable
Compatible with TRIAC/ELV and 0-10V dimmers

FEATURES

Energy efficient flat panel technology
Fully Dimmable
Glare-free illumination

SPECIFICATIONS

Voltage: 120V, 240V, or 277V 50/60Hz
Power Consumption: 18W
Color Temperature: 2700K
Luminosity: 1200 Lumens
Luminaire efficacy: 67Lumens/Watt
Color Rendition Index: 91 CRI
50K hour lifespan
Cable Length: 10' (3m) (Adjustable height)

CERTIFICATIONS



PRODUCT CODES

Cielo XL (Black): CIEL XL BLK

PACKAGING WEIGHT AND DIMENSIONS

Cielo XL:	4.25LBS	8" X 8" X 19.5"
	2KG	20cm X 20cm X 49.5cm

NOTES

Custom requests can be considered on volume orders
0-10V dimming available upon request



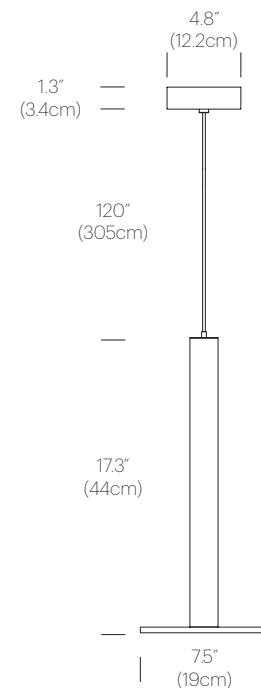
AVAILABLE EU FINISHES



BLACK

DIMENSIONS

CIELO XL



CIELO XL MULTI-LIGHT

DESCRIPTION



Cielo XL's stunning machined aluminum design can be suspended in a variety of unique custom arrangements with both round and linear canopy solutions. With Cielo XL Multi-Light, up to 9 lamps can be grouped together in a variety mixed sizes to form impressive luminaire displays. Both size and shape of the grouping is controlled by lamp quantity and positioning relative to the Multi-Light canopy. Swag mounts are provided to extend the lights out into space along with an ample height adjustable cord length of 10' (304cm) to offer a wide range of unique custom configurations.

FIXTURE TYPE

Pendant

LIGHT SOURCE

LED Flat-Panel

CERTIFICATIONS  

PRODUCT CODES

Multi-Light Canopy 9" (White):	CIEL XL CAN 9 WHT
Multi-Light Canopy 9" (Black):	CIEL XL CAN 9 BLK
Multi-Light Canopy 12" (White):	CIEL XL CAN 12 WHT
Multi-Light Canopy 12" (Black):	CIEL XL CAN 12 BLK

PACKAGING WEIGHT AND DIMENSIONS

Multi-Light Canopy 9"	4.3LBS	12" X 12" X 6"
	2KG	30,5cm X 30,5cm X 15cm
Multi-Light Canopy 12"	6.6LBS	12" X 12" X 6"
	3KG	30,5cm X 30,5cm X 15cm

NOTES

Custom requests can be considered on volume orders

CIELO XL Multi-Light Canopy
Small (Ø9" OD) Up to 4



CIELO XL Multi-Light Canopy
Large (Ø12" OD) 5 to 7



2, 3, 4, 5, 6... 7

AVAILABLE EU FINISHES



BLACK

MULTI-LIGHT CANOPY



WHITE



BLACK

ROUND



LINEAR



MULTI-LIGHT CANOPY DIMENSIONS



9"
(22.8cm)

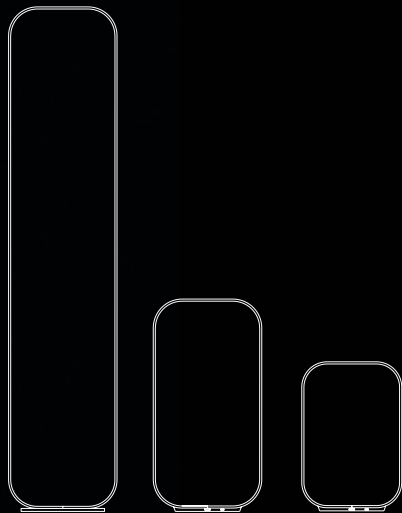


12"
(30.5cm)

CONTOUR

Contour's revealing and elegant open framed architecture captures warm LED illumination within a remarkably slender extruded aluminum structure. Intelligent and highly efficient, Contour's minimalist design has been refined to the bare essentials, creating a rich interior space for your personal belongings while providing an unobstructed view of its surroundings. Contour's premium wood interiors provide an inviting resting place for your books, precious objects, or for charging your mobile devices with its integrated USB-A port.

Designer:
Pablo Studio 2015



CONTOUR TABLE

DESCRIPTION

Contour's revealing and elegant open framed architecture captures warm LED illumination within a remarkably slender extruded aluminum structure. Intelligent and highly efficient, Contour's minimalist design has been refined to the bare essentials, creating a rich interior space for your personal belongings while providing an unobstructed view of its surroundings. Contour's premium wood and woven fabric interiors provide an inviting resting place for your books, precious objects, or for charging your mobile devices with its integrated USB port.

FIXTURE TYPE

Table

LIGHT SOURCE

(60x) High output LED array

LIGHT CONTROL

Full range dim control

FEATURES

Glare-free illumination
USB charging port

SPECIFICATIONS

Voltage: 120-240V 50-60Hz
Power Consumption: 8W MAX
Color temperature: 3000K
Luminosity: 780 Lumens
Luminaire efficacy: 98 Lumens/Watt
Color Rendition Index: 80+ CRI
50K hour lifespan
Cable length: 8' (244cm)
Global multi-plug adapter available
Patent number: D774,239

CERTIFICATIONS



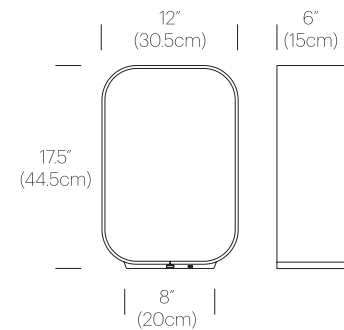
AVAILABLE EU FINISHES



GRAPHITE/
WALNUT

DIMENSIONS

TABLE SM



PRODUCT CODES

Contour Table SM Graphite/Walnut: CONTSMLGPT/WAL

PACKAGING WEIGHT AND DIMENSIONS

CONTOUR TABLE SM: 11LBS 17.5" X 12" X 6"
5KGS 44.5cm X 30cm X 15cm

NOTES

Custom requests can be considered on volume orders



CONTOUR FLOOR

DESCRIPTION

Contour's revealing and elegant open framed architecture captures warm LED illumination within a remarkably slender extruded aluminum structure. Intelligent and highly efficient, Contour's minimalist design has been refined to the bare essentials, creating a rich interior space for your personal belongings while providing an unobstructed view of its surroundings. Contour's premium wood interiors provide an inviting resting place for your books, precious objects.

FIXTURE TYPE

Floor

LIGHT SOURCE

(60x) High output LED array

LIGHT CONTROL

Full range dim control (in-line floor dimmer)

FEATURES

Glare-free illumination

SPECIFICATIONS

Voltage: 120-240V 50-60Hz
 Power Consumption: 21.5W MAX
 Color temperature: 3000K
 Luminosity: 1800 Lumens
 Luminaire efficacy: 84 Lumens/Watt
 Color Rendition Index: 90+ CRI
 50K hour lifespan
 Cable length: 9' (274cm)
 Global multi-plug adapter available
 Patent number: D774,239

CERTIFICATIONS

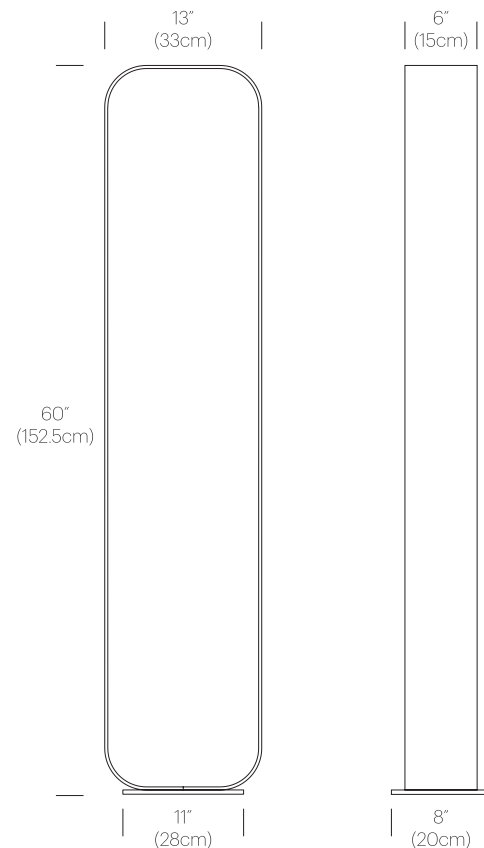


AVAILABLE EU FINISHES



DIMENSIONS

FLOOR



PRODUCT CODES

Contour Floor White/White Oak	CONT.FLR.WHT/OAK
Contour Floor Graphite/White Oak	CONT.FLR.GPT/OAK
Contour Floor Graphite/Walnut	CONT.FLR.GPT/WAL

PACKAGING WEIGHT AND DIMENSIONS

CONTOUR FLOOR: 30LBS	60" X 13" X 6"
14KGS	152.5cm X 13cm X 15cm

NOTES

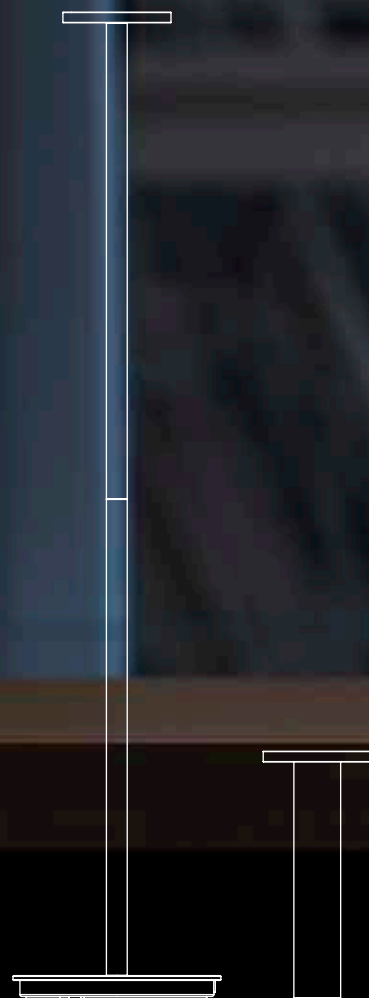
Custom requests can be considered on volume orders



LUCI

Luci is a fully rechargeable portable luminaire that allows you to take your ambiance wherever you go indoors and out. Defined by its simplicity of form and high tactile feel, Luci features an all-machined aluminum body that's premium to the touch and brings elegance to any intimate moment or social gathering. Representing the future of illumination, Luci features state of the art Warm Dim light technology with 3 preset light level plus full range dimming which are activated via optical switch atop the shade. Luci also boasts a best-in-class battery life to provide many hours of untethered illumination between charges. Available in both table and floor standing models, Luci is offered in three anodized machine trace finishes in Silver, Brass, Black and a painted textured Matte White.

Designer:
Pablo Pardo + Pablo Studio 2021



LUCI TABLE

DESCRIPTION

Luci is a fully rechargeable portable luminaire that allows you to take your ambiance wherever you go indoors and out. Defined by its simplicity of form and high tactile feel, Luci features an all-machined aluminum body that's premium to the touch and brings elegance to any intimate moment or social gathering. Representing the future of illumination, Luci features state of the art Dim to Warm light technology with 3 preset light level plus full range dimming which are activated via optical switch atop the shade. Luci also boasts a best-in-class battery life to provide many hours of untethered illumination between charges. Luci Table is recharged via USB-C charging port located on the base. Available in both table and floor standing models, Luci is offered in three anodized machine trace finishes in Silver, Brass, Black and a painted textured Matte White.

FIXTURE TYPE

Table

LIGHT SOURCE

Flat Panel LED

LIGHT CONTROL

Optical switch

Full range dimming (100-10%)

3-stage dimming (100/40/10%)

FEATURES

Portable and rechargeable

18-180 hr Battery life

SPECIFICATIONS

Power Consumption: 2.1W

Color Temperature: 2700K - 2200K (Warm dim)

Luminosity: 135 Lumens

Luminaire efficacy: 64 Lumens/Watt

Color Rendition Index: 90+ CRI

Cable Length: 6' (182cm)(included)

IP Rating: IP54

CERTIFICATIONS



AVAILABLE EU FINISHES

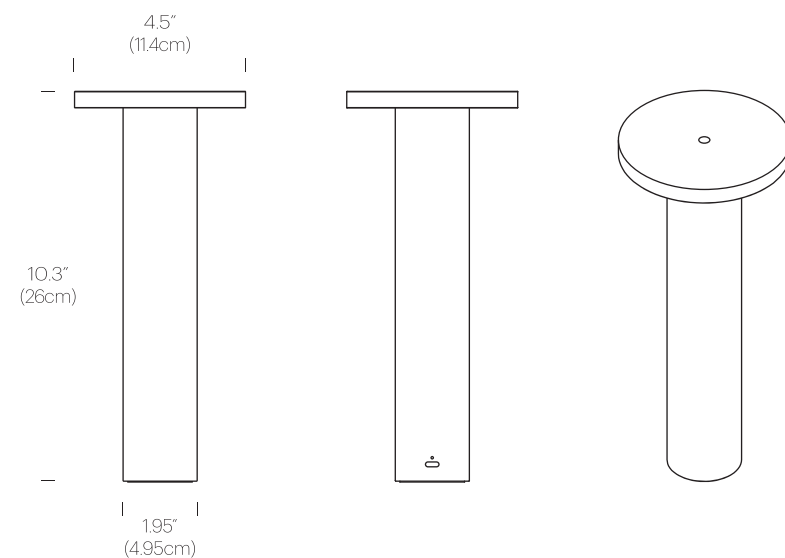
LUCI TABLE



BLACK

DIMENSIONS

LUCI TABLE



PRODUCT CODES

Luci Table (Black Anodized):

LUCI TBL BLK

PACKAGING WEIGHT AND DIMENSIONS

Luci Table:	2.5LBS	5.5" X 5.5" X 11.5"
	1.1KG	14cm X 14cm X 30cm

NOTES

Custom requests can be considered on volume orders

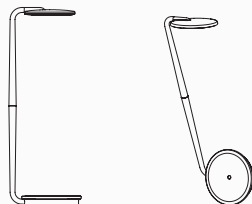


PIXO

Although it embodies an emotive, humanistic form, Pixo, at its conceptual core, is an ultra-efficient task light. Functionality and necessity drive its design. It makes the most of its frame and its space through every feature: Pixo's swiveling light shade and highly maneuverable arm lend it maximum utility within a minimal footprint. Its compact, energy-saving LED light is infinitely adjustable, allowing the user to focus warm, glare-free light wherever needed. For added convenience, the elegant form factor features full-range dimming via its intuitive optical switch. Pixo's newly upgraded wireless charging base with USB-C port now provides up to 15 watts of power for high-speed charging. Even more, the upper and lower pieces ship detached from one another to reduce packing materials and shipping costs. Pixo Plus is 97% recyclable. Pixo is also available for wall mount application and features only a USB-A charging port.

Designer:
Fernando Pardo and Pablo Pardo 2011/2019

Awards:
[2012 Red Dot Award](#)



PIXO PLUS

DESCRIPTION

Designed for maximum utility in a minimal footprint, this compact and efficient LED task light is highly adjustable, allowing you to focus warm, glare-free light where you need it most. For added convenience, the elegant form factor features full-range dimming via its intuitive optical switch. Pixo's newly upgraded wireless charging base with USB-C port now provides up to 15 watts of power for high-speed charging. Pixo Plus is available in many sophisticated colorways to suite every discerning taste.

FIXTURE TYPE

Table

LIGHT SOURCE

(78x) High-output LED array

LIGHT CONTROL

Full range dim control 100%-10% (optical switch)

FEATURES

- 360° arm rotation
- 180° arm tilt
- 360° shade rotation
- Wireless charging (up to 15W)
- USB-C charging port (up to 15W)
- Advanced LED array eliminates multiple shadows
- ADA compliant
- Ships flat-packed
- OCC model available upon request

SPECIFICATIONS

- Voltage: 120-240V 50-60Hz
- Power consumption: 6W MAX
- Color temperature: 3000K
- Luminosity: 325 Lumens
- Luminaire efficacy: 54 Lumens/Watt
- Color Rendition Index: 90 CRI
- 50K hour lifespan
- Cable length: 6' (182cm)
- Global multi-plug adapter available

CERTIFICATIONS



PRODUCT CODES

Pixo Plus (White):	PIXO PLUS WHT
Pixo Plus (Graphite):	PIXO PLUS BLK

PACKAGING WEIGHT AND DIMENSIONS

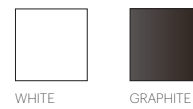
Pixo:	3.45LBS	17" X 9.5" X 2"
	1.6KGS	43cm X 24cm X 5cm

NOTES

- Occupancy sensor model available upon request
- Custom requests can be considered on volume orders

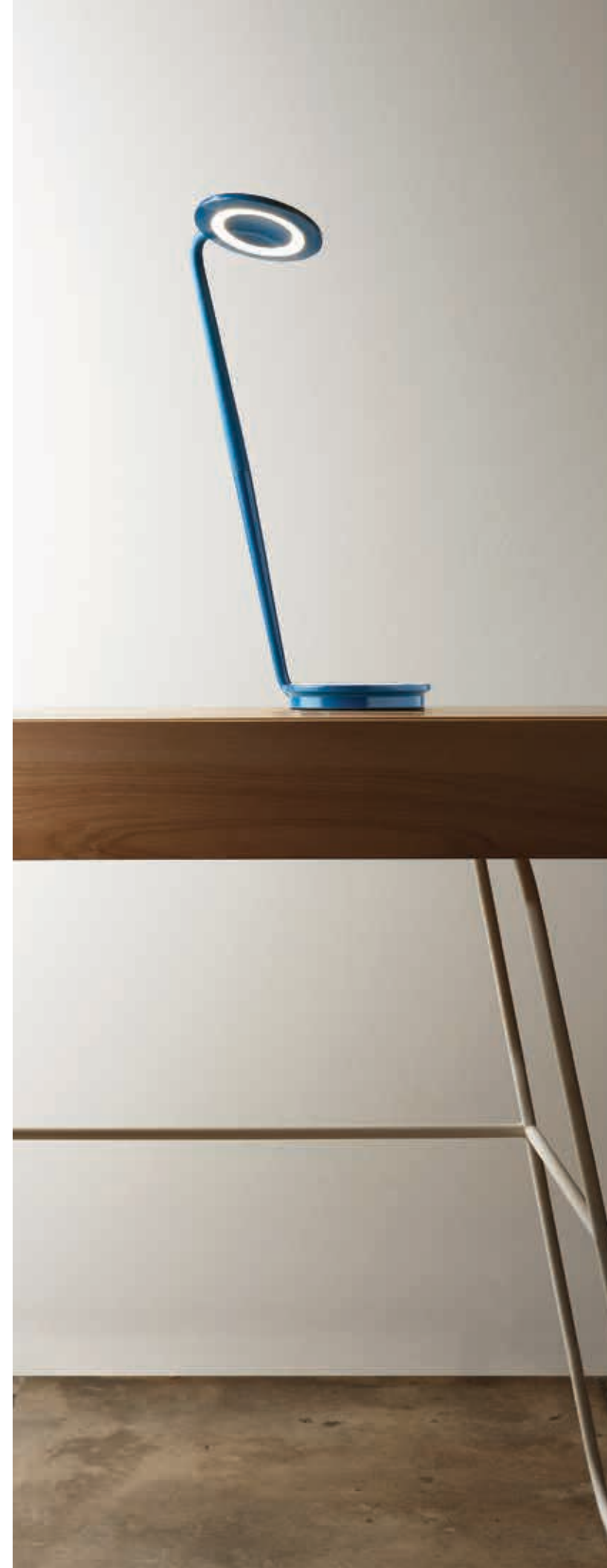
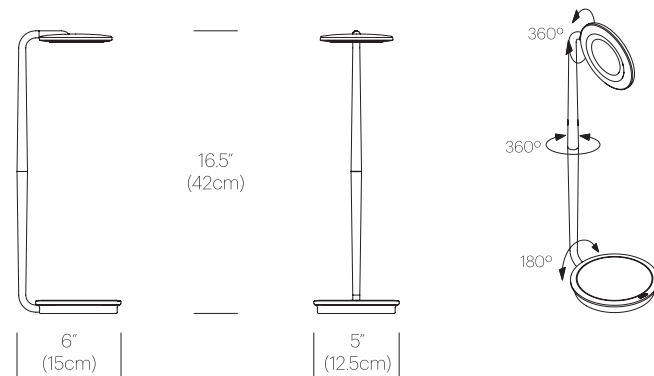


AVAILABLE EU FINISHES



DIMENSIONS

PIXO

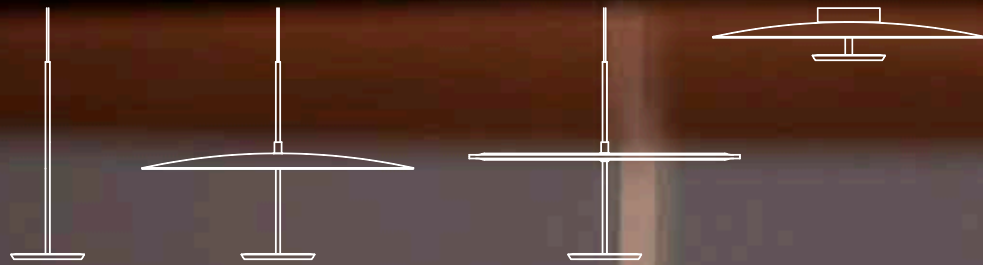


SKY

The Sky Collection was inspired as a modular pendant lighting system and Sky Solo is the core foundational element. Its minimal all-aluminum design highlights a powerful two-sided flat panel light source with Dim to Warm LED technology that can deliver up to 1250 lumens of warm ambient light in all directions. Sky Solo can be suspended individually, in series, or as striking chandelier groupings for residential, contract, and hospitality settings alike. Solo's light element can also be combined with a wide range of premium shade reflectors in metal, wood, and acoustic felt to provide an extraordinary breadth of performance and decorative solutions for residential, office, and hospitality settings alike.

Designer:
Pablo Pardo + Pablo Studio 2020

Awards:
2020 IDA Award
2020 NYCxDESIGN Award



SKY SOLO

DESCRIPTION

The Sky Collection was inspired as a modular pendant lighting system and Sky Solo is its core foundational element. Its minimal all-aluminum design highlights a powerful two-sided flat panel light source with Dim to Warm LED technology that can deliver up to 1250 lumens of warm ambient light in all directions. Sky Solo can be suspended individually, in series, or as striking chandelier groupings for residential, contract, and hospitality settings alike. Solo's light element can also be combined with a wide range of premium shade reflectors in metal, wood and acoustic felt to provide an extraordinary breadth of performance and decorative solutions.

FIXTURE TYPE

Pendant

LIGHT SOURCE

LED Flat-Panel

LIGHT CONTROL

Fully dimmable Compatible with TRIAC/ELV dimmers (0-10V dimming available upon request)
Dali compatibility upon request

FEATURES

Dim-to-Warm (DTW) Light Source
Uplight/Downlight
Energy-efficient, flat panel technology
Glare-free illumination

SPECIFICATIONS

Voltage: 120 or 240V 50/60Hz
(100-277V 50/60Hz Available upon request)
Power Consumption: 18W MAX
Color Temperature: 2700-2200K (warm dim) or 3000K CCT, Note: 2700K CCT and 3500K CCT models Available Upon Request on volume orders
Luminosity: 1250 Lumens (850 down/400 up)
Luminaire efficacy: 708 Lumens/Watt
Color Rendition Index: 90 CRI
50K hour lifespan
Cable Length: 10' (3m) (Field cuttable)
ELV Dimmer recommended

CERTIFICATIONS



PRODUCT CODES

Sky Solo (Matte Black)	SKY SOLO BLK
Sky Solo (Polished)	SKY SOLO

PACKAGING WEIGHT AND DIMENSIONS

Sky Solo:	3.1LBS	10" X 19" X 2.4"
	1.4KGS	26cm X 48cm X 6cm

NOTES

Additional finishes can be considered on volume orders



FINISHES

LAMP



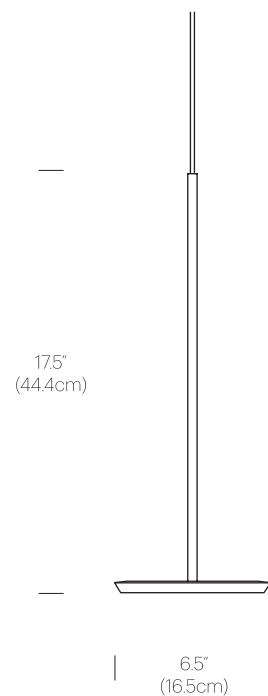
POLISHED ALUMINUM



MATTE BLACK

DIMENSIONS

SKY SOLO



SKY DOME METAL

DESCRIPTION

The Sky Collection is a modular pendant lighting system featuring multiple shade reflector solutions for various decorative and performance benefits. Sky Dome is available in both spun aluminum and pressed wood shade reflectors that when combined with their powerful 2-sided LED light source gives the lamp a weightless appearance while providing unparalleled illumination in all directions. Sky Dome combined form and function with unsurpassed quality and is available in 3 sizes : 18" (45.8cm)/24" (61cm)/32" (81cm).

FIXTURE TYPE

Pendant

LIGHT SOURCE

LED Flat-Panel downlight/High-output LED array uplight

LIGHT CONTROL

Fully dimmable Compatible with TRIAC/ELV dimmers (0-10V dimming available upon request)
Dali compatibility upon request

FEATURES

Uplight/Downlight
Energy-efficient, flat panel technology (Glare-free illumination)

SPECIFICATIONS

Voltage: 120 or 240V 50/60Hz
(100-277V 50/60Hz Available upon request)
Power Consumption: 18W MAX
Color Temperature: 2700-2200K (warm dim) or 3000K CCT, Note: 2700K CCT and 3500K CCT models Available Upon Request on volume orders
Luminosity: 1250 Lumens (850 down/400 up)
Luminaire efficacy: 70 Lumens/Watt
Color Rendition Index: 90 CRI
50K hour lifespan
Cable Length: 10' (3m) (Field cuttable)

CERTIFICATIONS



PRODUCT CODES (ENTER SHADE SIZE IN BLANK SPACE)

Sky Dome (Black/Brass):	SKY DOM ___ BLK BRA
Sky Dome (Black/White):	SKY DOM ___ BLK WHT
Sky Dome (Polished/Brass):	SKY DOM ___ BRA
Sky Dome (Polished/White):	SKY DOM ___ WHT

PACKAGING WEIGHT AND DIMENSIONS

Sky Solo:	3.1LBS	10" X 19" X 2.4"
(Lamp)	1.4KGS	26cm X 48cm X 6cm
Sky Dome Metal 18:	3.1LBS	21.3" X 20.4" X 2.9"
(Shade)	1.4KGS	54cm X 52cm X 7.3cm
Sky Dome Metal 24:	5.1LBS	27.1" X 26.4" X 3.25"
(Shade)	2.3KGS	69cm X 67cm X 8.2cm
Sky Dome Metal 32:	9.5LBS	35" X 34.8" X 3.9"
(Shade)	4.3KGS	89cm X 88cm X 10cm

NOTES

Additional finishes can be considered on volume order



AVAILABLE EUFINISHES

LAMP



POLISHED ALUMINUM



MATTE BLACK

SHADE



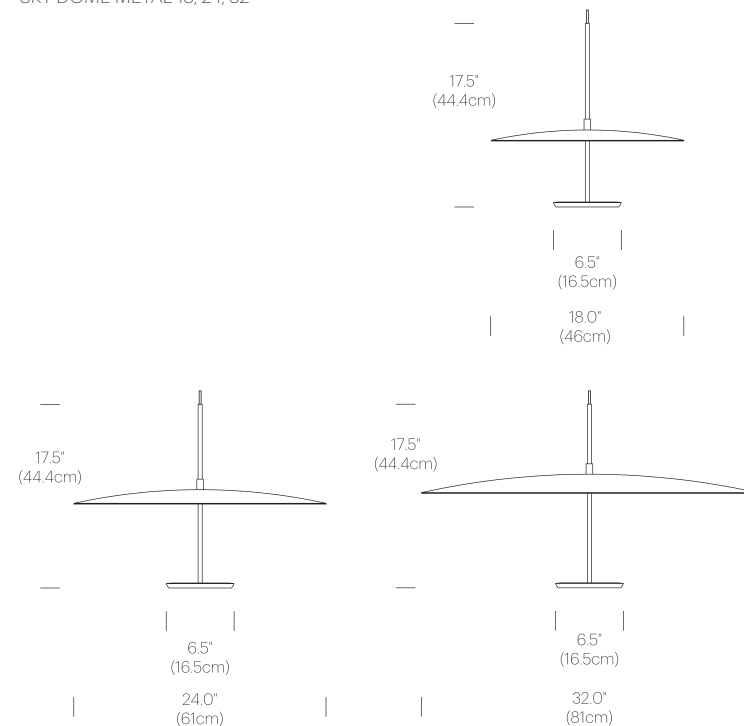
WHITE



SATIN BRASS

DIMENSIONS

SKY DOME METAL 18, 24, 32



SKY DOME WOOD

DESCRIPTION

The Sky Collection is a modular pendant lighting system featuring multiple shade reflector solutions for various decorative and performance benefits. Sky Dome is available in both spun aluminum and pressed wood shade reflectors that when combined with their powerful 2-sided LED light source gives the lamp a weightless appearance while providing unparalleled illumination in all directions. Sky Dome combined form and function with unsurpassed quality and is available in 2 sizes : 18" (45.8cm) and 24" (61cm).

FIXTURE TYPE

Pendant

LIGHT SOURCE

LED Flat-Panel downlight/High-output LED array uplight

LIGHT CONTROL

Fully dimmable Compatible with TRIAC/ELV dimmers (0-10V dimming available upon request)
Dali compatibility upon request

FEATURES

Dim-to-Warm (DTW) Light Source
Uplight/Downlight
Energy-efficient, flat panel technology
Glare-free illumination

SPECIFICATIONS

Voltage: 120 or 240V 50/60Hz
(100-277V 50/60Hz Available upon request)
Power Consumption: 18W MAX
Color Temperature: 2700-2200K (warm dim) or 3000K CCT, Note: 2700K CCT and 3500K CCT models Available Upon Request on volume orders
Luminosity: 1250 Lumens (850 down/400 up)
Luminaire efficacy: 70 Lumens/Watt
Color Rendition Index: 90 CRI
50K hour lifespan
Cable Length: 10' (3m) (Field cuttable)
ELV Dimmer recommended

CERTIFICATIONS  

PRODUCT CODES (ENTER SHADE SIZE IN BLANK SPACE)

Sky Dome (Black/Oak):	SKY DOM	BLK OAK
Sky Dome (Black/Walnut):	SKY DOM	BLK WLN
Sky Dome (Polished/Oak):	SKY DOM	OAK
Sky Dome (Polished/Walnut):	SKY DOM	WLN

PACKAGING WEIGHT AND DIMENSIONS

Sky Solo:	3.1LBS	10" X 19" X 2.4"
(Lamp)	1.4KGS	26cm X 48cm X 6cm
Sky Dome Wood 18:	3.3LBS	21.3" X 20.4" X 2.9"
(Shade)	1.4KGS	54cm X 52cm X 7.3cm
Sky Dome Wood 24:	5.5LBS	27.1" X 26.4" X 3.25"
(Shade)	2.5KGS	69cm X 67cm X 8.2cm

NOTES

Additional finishes can be considered on volume orders



FINISHES

LAMP



POLISHED ALUMINUM



MATTE BLACK

DOME



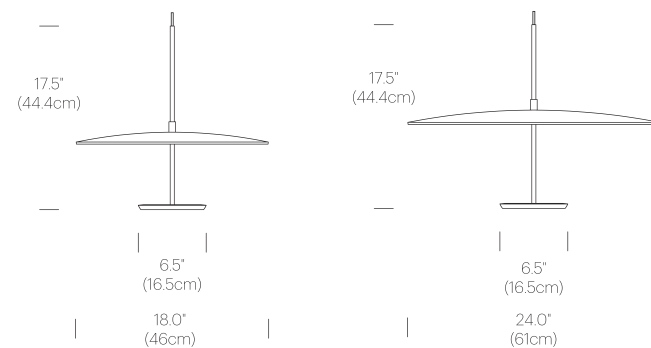
WALNUT



WHITE OAK

DIMENSIONS

SKY DOME WOOD 18, 24



SKY SOUND

DESCRIPTION

The Sky Collection is a modular pendant lighting system featuring multiple shade reflector solutions for various decorative and performance benefits. Sky Sound combines Acoustic performance with powerful omnidirectional illumination to provide a one of a kind pendant solution that minimizes ambient noise and contributes to a positive workspace. Its elegant PET felted disc shade is suspended by a polished aluminum mast and is available in 18" (45.8cm)/24" (61cm)/32" (81cm) sizes with rich and vibrant colorways to create a harmonious environment of light and quiet to enhance our wellbeing.

FIXTURE TYPE

Pendant

LIGHT SOURCE

LED Flat-Panel downlight/High-output LED array uplight

LIGHT CONTROL

Fully dimmable Compatible with TRIAC/ELV dimmers (0-10V dimming available upon request)
Dali compatibility upon request

FEATURES

Uplight/Downlight
Energy-efficient, flat panel technology (Glare-free illumination)

SPECIFICATIONS

Voltage: 120 or 240V 50/60Hz
(100-277V 50/60Hz Available upon request)
Power Consumption: 18W MAX
Color Temperature: 2700-2200K (warm dim) or 3000K CCT, Note: 2700K CCT and 3500K CCT models Available Upon Request on volume orders
Luminosity: 1250 Lumens (850 down/400 up)
Luminaire efficacy: 70 Lumens/Watt
Color Rendition Index: 90 CRI
50K hour lifespan
Cable Length: 10' (3m) (Field cuttable)

CERTIFICATIONS



AVAILABLE EU FINISHES

LAMP



POLISHED ALUMINUM



MATTE BLACK

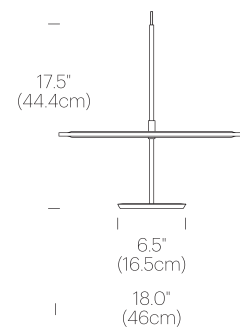
SHADE



ANTHRACITE

DIMENSIONS

SKY SOUND 18



PRODUCT CODES (ENTER SHADE SIZE IN BLANK SPACE)

Sky Sound (Black/Graphite):	SKY SND	BLK GPT
Sky Sound (Polished/Graphite):	SKY SND	GPT

PACKAGING WEIGHT AND DIMENSIONS

Sky Solo:	3.1LBS	10" X 19" X 2.4"
(Lamp)	1.4KGS	26cm X 48cm X 6cm
Sky Sound 18:	2.5LBS	21.3" X 20.4" X 2.9"
(Shade)	1.9KGS	54cm X 52cm X 7.3cm
Sky Sound 24:	4.1LBS	27.1" X 26.4" X 3.25"
(Shade)	2.4KGS	69cm X 67cm X 8.2cm
Sky Sound 32:	7.2LBS	35" X 34.8" X 3.9"
(Shade)	3.3KGS	89cm X 88cm X 10cm

NOTES

Additional finishes can be considered on volume orders



SKY DOME FLUSH WOOD

DESCRIPTION

The Sky Collection is a modular pendant lighting system featuring multiple shade reflector solutions for various decorative and performance benefits. Sky Dome Flush is available in both spun aluminum and pressed wood shade reflectors that when combined with their powerful 2-sided LED light source gives the lamp a weightless appearance while providing unparalleled illumination in all directions. Sky Dome combined form and function with unsurpassed quality and is available in 2 sizes : 18" (45.8cm) and 24" (61cm).

FIXTURE TYPE

Wall/Ceiling

LIGHT SOURCE

LED Flat-Panel downlight/High-output LED array uplight

LIGHT CONTROL

Fully dimmable Compatible with TRIAC/ELV dimmers (0-10V dimming available upon request)
Dali compatibility upon request

FEATURES

Bi-directional Light Source
Energy-efficient, flat panel technology (Glare-free illumination)

SPECIFICATIONS

Voltage: 120 or 240V 50/60Hz
(100-277V 50/60Hz Available upon request)
Power Consumption: 18W MAX
Color Temperature: 2700-2200K (warm dim) or 3000K CCT, Note: 2700K CCT and 3500K CCT models Available Upon Request on volume orders
Luminosity: 1250 Lumens (850 down/400 up)
Luminaire efficacy: 70 Lumens/Watt
Color Rendition Index: 90 CRI
50K hour lifespan

CERTIFICATIONS



PRODUCT CODES (ENTER SHADE SIZE IN BLANK SPACE)

Sky Flush Dome	Wood (Polished/Oak):	SKY FSH	DOM OAK
Sky Flush Dome	Wood (Polished/Walnut):	SKY FSH	DOM WLN

PACKAGING WEIGHT AND DIMENSIONS

Sky Solo:	3.1LBS	10" X 19" X 2.4"
(Lamp)	1.4KGS	26cm X 48cm X 6cm
Sky Dome Wood 18:	3.3LBS	21.3" X 20.4" X 2.9"
(Shade)	1.4KGS	54cm X 52cm X 7.3cm
Sky Dome Wood 24:	5.5LBS	27.1" X 26.4" X 3.25"
(Shade)	2.5KGS	69cm X 67cm X 8.2cm

NOTES.

Additional finishes can be considered on volume orders



FINISHES

LAMP



POLISHED ALUMINUM

DOMES



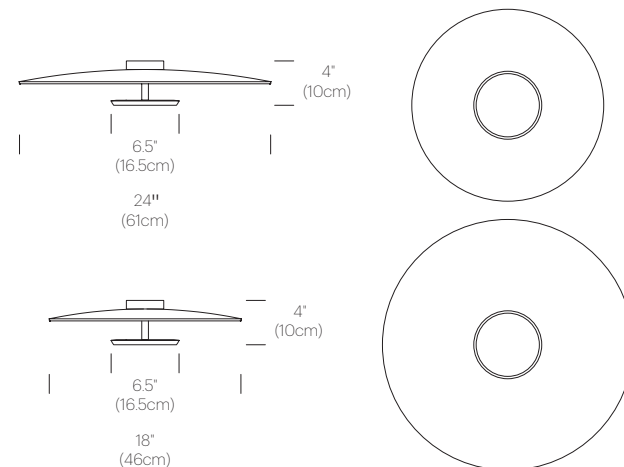
WALNUT



WHITE OAK

DIMENSIONS

SKY DOME WOOD 18, 24



SKY DOME FLUSH METAL

DESCRIPTION

The Sky Collection is a modular pendant lighting system featuring multiple shade reflector solutions for various decorative and performance benefits. Sky Dome Flush is available in both spun aluminum and pressed wood shade reflectors that when combined with their powerful 2-sided LED light source gives the lamp a weightless appearance while providing unparalleled illumination in all directions. Sky Dome combined form and function with unsurpassed quality and is available in 2 sizes : 18" (45.8cm) and 24" (61cm).

FIXTURE TYPE

Wall/Ceiling

LIGHT SOURCE

LED Flat-Panel downlight/High-output LED array uplight

LIGHT CONTROL



Fully dimmable Compatible with TRIAC/ELV dimmers (0-10V dimming available upon request)
Dali compatibility upon request

FEATURES

Uplight/Downlight
Energy-efficient, flat panel technology(Glare-free illumination)

SPECIFICATIONS

Voltage: 120 or 240V 50/60Hz
(100-277V 50/60Hz Available upon request)
Power Consumption: 18W MAX
Color Temperature: 2700-2200K (warm dim) or 3000K CCT, Note: 2700K CCT and 3500K CCT models Available Upon Request on volume orders
Luminosity: 1250 Lumens (850 down/400 up)
Luminaire efficacy: 70 Lumens/Watt
Color Rendition Index: 90 CRI
50K hour lifespan

CERTIFICATIONS  

PRODUCT CODES (ENTER SHADE SIZE IN BLANK SPACE)

Sky Flush Dome (Polished/Brass):	SKY FSH	DOM BRA
Sky Flush Dome (Polished/White):	SKY FSH	DOM WHT

PACKAGING WEIGHT AND DIMENSIONS

Sky Solo:	3.1LBS	10" X 19" X 2.4"
(Lamp)	1.4KGS	26cm X 48cm X 6cm
Sky Dome Metal 18:	3.1LBS	21.3" X 20.4" X 2.9"
(Shade)	1.4KGS	54cm X 52cm X 7.3cm
Sky Dome Metal 24:	5.1LBS	27.1" X 26.4" X 3.25"
(Shade)	2.3KGS	69cm X 67cm X 8.2cm
Sky Dome Metal 32:	9.5LBS	35" X 34.8" X 3.9"
(Shade)	4.3KGS	89cm X 88cm X 10cm

NOTES

Additional finishes can be considered on volume orders



AVAILABLE EU FINISHES

LAMP



POLISHED ALUMINUM

DOMES



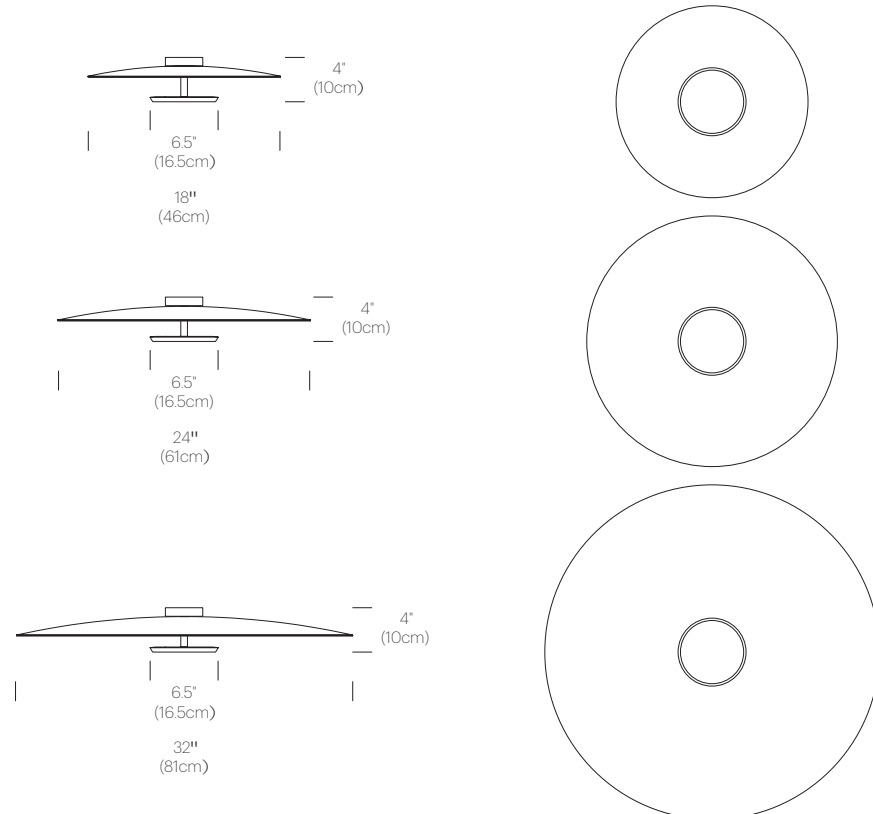
WHITE



SATIN BRASS

DIMENSIONS

SKY DOME FLUSH METAL 18, 24, 32



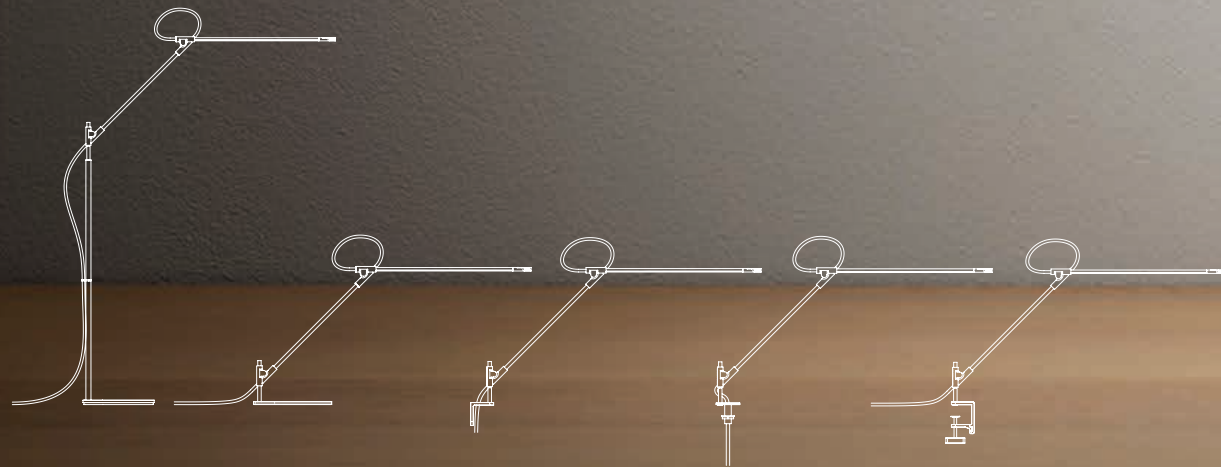


SUPERLIGHT

Superlight balances the demands of both workplace and home with a combination of minimal form and maximal function. Superlight is a task light reduced to its essence. A gestural line in space resulting in a precise yet playful structure defying gravity with an appearance of near weightlessness. Superlight achieves fluid, sweeping movement in every direction with a full 3-axis range of motion providing warm, glare-free LED light exactly where you need it. Superlight is available as a desk, floor, wall, clamp or grommet mounted fixture.

Designers:
Peter Stathis + Matthew Boyko 2017

Awards:
2017 Good Design Award
2017 Finalist HIP Award



SUPERLIGHT TABLE

DESCRIPTION

Superlight balances the demands of both workplace and home with a combination of minimal form and maximal function. Superlight is a task light reduced to its essence. A gestural line in space resulting in a precise yet playful structure defying gravity with an appearance of near weightlessness. Superlight achieves fluid, sweeping movement in every direction with a full 3-axis range of motion providing warm, glare-free LED light exactly where you need it. Superlight is available as a desk, floor, wall, clamp or grommet mounted fixture.

FIXTURE TYPE

Table

LIGHT SOURCE

High-output LED array

LIGHT CONTROL

Full range dim control

FEATURES

- 3-axis rotation at each joint
- Ultra-light minimal frame
- 4 colored base pads
- Advanced LED array eliminates multiple shadows
- Ships flat-packed

SPECIFICATIONS

- Voltage: 120-240V 50-60Hz
- Power consumption: 8.5W
- Color temperature: 3000K
- Luminosity: 700 Lumens
- Luminaire efficacy: 81 Lumens/watt
- Color rendition index: 90+ CRI
- 50K hour lifespan
- Cable length: 9' (274cm)
- Global multi-plug adapter available
- Title 20 compliant
- Patent pending

CERTIFICATIONS



PRODUCT CODES

Superlight Table (White):	SUPE TBL WHT
Superlight Table (Black):	SUPE TBL BLK

PACKAGING WEIGHT AND DIMENSIONS

Superlight Table:	8.3LBS	28" X 9" X 3.5"
	3.7KGS	71cm X 23cm X 9cm

NOTES

Custom requests can be considered on volume orders

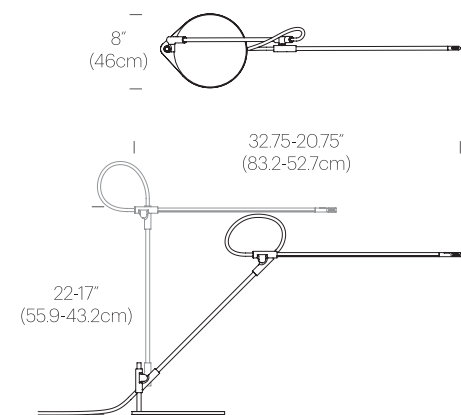


FINISHES



DIMENSIONS

SUPERLIGHT TABLE



SUPERLIGHT FLOOR

DESCRIPTION

Superlight balances the demands of both workplace and home with a combination of minimal form and maximal function. Superlight is a task light reduced to its essence. A gestural line in space resulting in a precise yet playful structure defying gravity with an appearance of near weightlessness. Superlight achieves fluid, sweeping movement in every direction with a full 3-axis range of motion providing warm, glare-free LED light exactly where you need it. Superlight is available as a desk, floor, wall, clamp or grommet mounted fixture.

FIXTURE TYPE

Floor

LIGHT SOURCE

High-output LED array

LIGHT CONTROL

Full range dim control

FEATURES

- 3-axis rotation at each joint
- Ultra-light minimal frame
- Felt base pad
- Advanced LED array eliminates multiple shadows
- Ships flat-packed

SPECIFICATIONS

- Voltage: 120-240V 50-60Hz
- Power consumption: 8.5W
- Color temperature: 3000K
- Luminosity: 700 Lumens
- Luminaire efficacy: 81 Lumens/watt
- Color rendition index: 90+ CRI
- 50K hour lifespan
- Cable length: 9' (274cm)
- Global multi-plug adapter available
- Title 20 compliant
- Patent pending

CERTIFICATIONS



PRODUCT CODES

Superlight Floor (White):	SUPE FLR WHT
Superlight Floor (Black):	SUPE FLR BLK

PACKAGING WEIGHT AND DIMENSIONS

Superlight Floor:	12.5LBS	28" X 9" X 3.5"
	5.7KGS	71cm X 23cm X 9cm

NOTES

Custom requests can be considered on volume orders



FINISHES



WHITE



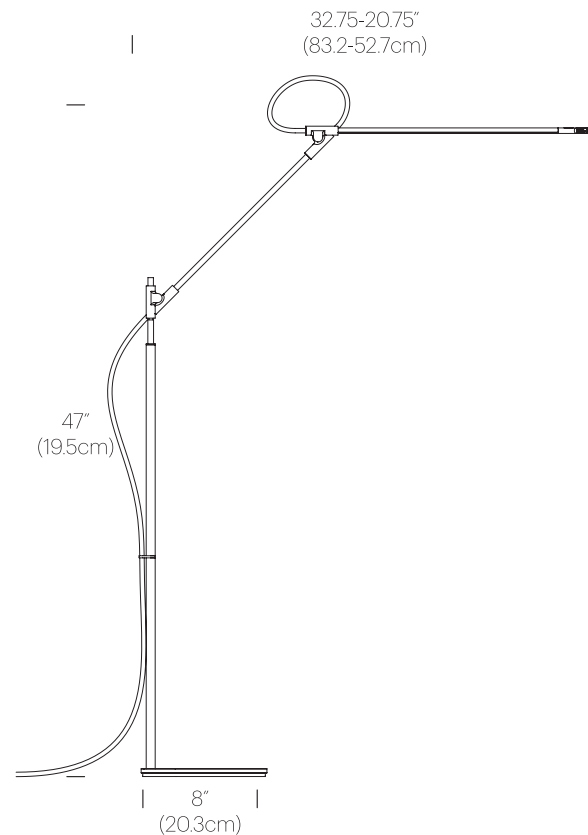
BLACK



CHARCOAL

DIMENSIONS

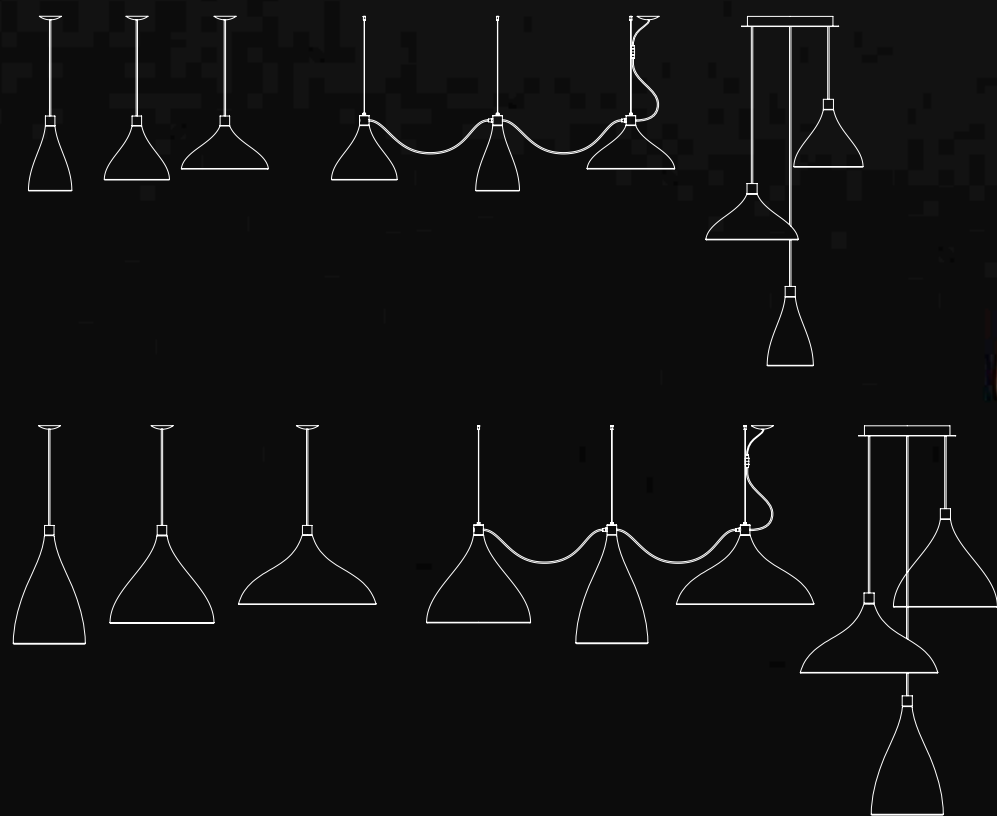
SUPERLIGHT FLOOR



SWELL/SWELL XL

Elegant and infinitely flexible, Swell is a modular LED lighting system designed to seamlessly blend the line between indoor and outdoor lighting. Formed from spun aluminum, Swell's 3 shade designs pair fluid, undulating lines with a radiant brass interior and can be mixed and matched to create dynamic groupings. Swell can be suspended individually, as a chandelier or as inter-connectable shade strings to perfectly complement residential, commercial, lounge and hospitality settings alike. Swell is also available in stunning XL sizes for spaces that demand exceptional scale.

Designer:
Pablo Studio 2015



SWELL SINGLE



DESCRIPTION

Elegant with undulating contours, Swell Single is an LED pendant designed to seamlessly blend the line between indoor and outdoor lighting. Swell single can be suspended individually or as a chandelier grouping to perfectly complement residential, commercial, lounge and hospitality settings alike. Swell is also available in stunning XL sizes for spaces that demand exceptional scale.

FIXTURE TYPE

Pendant

LIGHT SOURCE

US		EU	
Brand: SATCO		Brand: PHILIPS	
11W LED		9.5W LED	
3000K		2700K	
E26/PAR30		E27/PAR30	
1000Lm		650Lm	

LIGHT CONTROL

Hard-wired, dimmable (Compatible with TRIAC/ELV dimmers)
Dali compatibility upon request

FEATURES

Fully dimmable
For indoor and outdoor use
Damp rated

SPECIFICATIONS

Voltage: 120V or 240V 60Hz
Power consumption: 13W
Color temperature: 3000K
Luminosity: 1050 Lumens
Luminaire efficacy: 81 Lumens/Watt
Color Rendition Index: 95 CRI
40K hour lifespan
Cable length: 10' (305cm)
Title 20/Title 24 compliant
Dark Sky compliant

CERTIFICATIONS



PRODUCT CODES (ENTER NRW,MED, OR WID IN BLANK SPACE)

Swell Single (White/Brass):	SWEL SNG	WHT/BRA
Swell Single (Black/Brass):	SWEL SNG	BLK/BRA
Swell Single XL (White/Brass):	SWEL SNG XL	WHT/BRA
Swell Single XL (Black/Brass):	SWEL SNG XL	BLK/BRA

PACKAGING WEIGHT AND DIMENSIONS

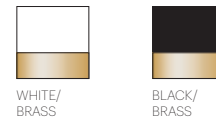
Swell Narrow:	6LBS	17" X 17" X 15"
	2.7KGS	43cm X 43cm X 38cm
Swell Medium:	6LBS	17" X 17" X 15"
	2.7KGS	43cm X 43cm X 38cm
Swell Wide:	6LBS	17" X 17" X 15"
	2.7KGS	43cm X 43cm X 38cm
Swell XL Narrow:	6.6LBS	14" X 14" X 20"
	2.7KGS	36cm X 36cm X 51cm
Swell XL Medium:	7.6LBS	20" X 20" X 18"
	3.4KGS	51cm X 51cm X 46cm
Swell XL Wide:	10LBS	26" X 26" X 14"
	4.5KGS	66cm X 66cm X 36cm

NOTES

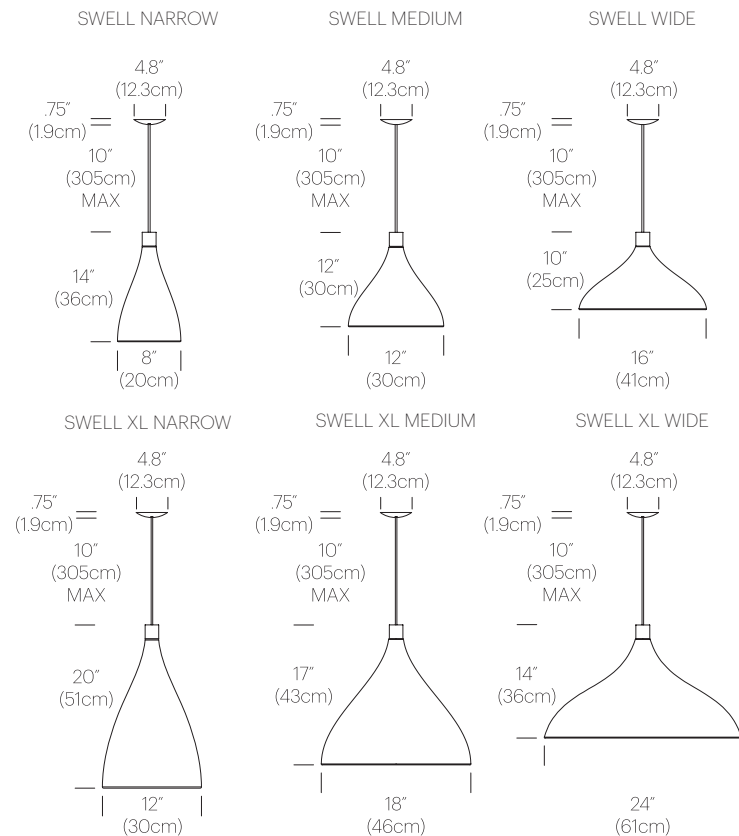
Custom requests can be considered on volume orders



AVAILABLE EU FINISHES



DIMENSIONS



SWELL STRING SINGLE



DESCRIPTION

Elegant and infinitely flexible, Swell String Single is a modular LED lighting system designed to seamlessly blend the line between indoor and outdoor lighting. Swell String Single allows infinite customization, pick your own collection to create a dramatic and personal grouping to fit any environment. Swell String Single can be suspended both vertically and horizontally in configurations of up to (34) lamps from a single power source to perfectly complement residential, commercial, lounge and hospitality settings alike. Swell is also available in stunning XL sizes for spaces that demand exceptional scale.

FIXTURE TYPE

Pendant

LIGHT SOURCE

US		EU	
Brand: SATCO		Brand: PHILIPS	
11W LED		9.5W LED	
3000K		2700K	
E26/PAR30		E27/PAR30	
1000Lm		650Lm	

LIGHT CONTROL

Hard-wired, dimmable (Compatible with TRIAC/ELV dimmers)

Dali compatibility upon request

FEATURES

Damp rated For indoor and outdoor use

Interconnectable sockets

SPECIFICATIONS

Voltage: 120V or 240V 60Hz

Power consumption: 13W

Color temperature: 3000K

Luminosity: 1050 Lumens

Luminaire efficacy: 81 Lumens/Watt

Color Rendition Index: 95 CRI

40K hour lifespan

(1x) 10' (305cm) vertical mounting kit cable included

30' (915cm) horizontal mounting kit cable sold separately

8' (244cm) power feed cable and canopy sold separately

Horizontal mounting kit supports 12 lamps MAX

MAX interconnected 14.5W lamps: 34

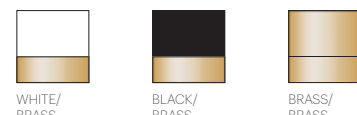
Title 20/Title 24 compliant

Dark Sky compliant

CERTIFICATIONS

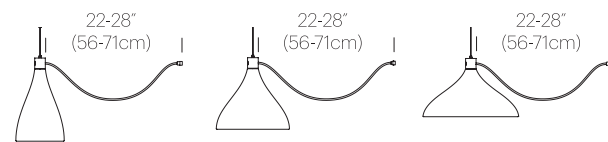


FINISHES

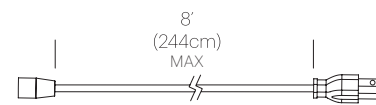


DIMENSIONS

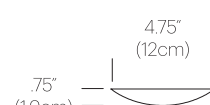
SWELL STRING SINGLE



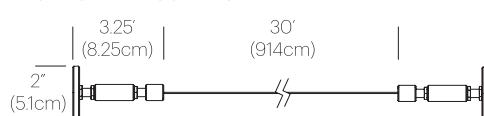
POWER FEED CABLE



CANOPY



HORIZONTAL MOUNTING KIT



12" JUMPER CABLE



PRODUCT CODES (ENTER NRW, MED, OR WID IN BLANK SPACE)

Swell String Single (White/Brass):	SWEL STR SNG	WHT/BRA
Swell String Single (Black/Brass):	SWEL STR SNG	BLK/BRA
Swell String Single (Brass/Brass):	SWEL STR SNG	BRA/BRA
Swell XL String Single (White/Brass):	SWEL STR SNG XL	WHT/BRA
Swell XL String Single (Black/Brass):	SWEL STR SNG XL	BLK/BRA
Swell XL String Single (Brass/Brass):	SWEL STR SNG XL	BRA/BRA
Swell Power Feed and Canopy (White):	SWEL STR ACC KIT WHT	
Swell Power Feed and Canopy (Black):	SWEL STR ACC KIT BLK	
Swell 12" Extension Cable (White):	SWEL STR ACC EXT 12 WHT	
Swell 12" Extension Cable (Black):	SWEL STR ACC EXT 12 BLK	
Swell Horizontal Mounting Kit:	SWEL HRZ MOUNT	

PACKAGING WEIGHT AND DIMENSIONS

Swell String Single: 5.25LBS	15.5" X 16" X 14.5"
2.4KGS	39cm X 41cm X 37cm

NOTES

Custom requests can be considered on volume orders



SWELL CHANDELIER



DESCRIPTION

Elegant with undulating contours, Swell Chandelier is an LED chandelier designed to seamlessly blend the line between indoor and outdoor lighting. Swell Chandelier is available in groupings of 3 and 6 lamps, creating a dramatic and personal grouping to fit any environment. Swell is also available in stunning XL sizes for spaces that demand exceptional scale.

FIXTURE TYPE

Pendant

LIGHT SOURCE

US		EU	
Brand: SATCO		Brand: PHILIPS	
11W LED		9.5W LED	
3000K		2700K	
E26/PAR30		E27/PAR30	
1000Lm		650Lm	

LIGHT CONTROL

Hard-wired, dimmable
Compatible with TRIAC/ELV dimmers
Dali compatibility upon request

FEATURES

For indoor and outdoor use
Damp rated

SPECIFICATIONS

Voltage: 120V or 240V 60Hz
Power consumption: 13W per lamp
Color temperature: 3000K
Luminosity: 1050 Lumens per lamp
Luminaire efficacy: 81 Lumens/Watt
Color Rendition Index: 95 CRI
40K hour lifespan
Cable length: 10' (305cm)
Title 20/Title 24 compliant
Dark Sky compliant

CERTIFICATIONS



PRODUCT CODES (ENTER 1 OR 2 IN BLANK SPACE)

Swell Chandelier Mix (Black/Brass):	SWEL CHAN	MIX BLK/BRA
Swell Chandelier Mix (White/Brass):	SWEL CHAN	MIX WHT/BRA
Swell XL Chandelier Mix (Black/Brass):	SWEL XL CHAN	MIX BLK/BRA
Swell XL Chandelier Mix (White/Brass):	SWEL XL CHAN	MIX WHT/BRA
17" Chandelier Canopy:	CHND CAN 17	
26" Chandelier Canopy:	CHND CAN 26	

PACKAGING WEIGHT AND DIMENSIONS

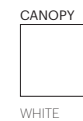
Swell Single:	5.25LBS 2.4KGS	15.5" X 16" X 14.5" 39cm X 41cm X 37cm
Swell XL Narrow:	6.6LBS 2.7KGS	14" X 14" X 20" 36cm X 36cm X 51cm
Swell XL Medium:	7.6LBS 3.4KGS	20" X 20" X 18" 51cm X 51cm X 46cm
Swell XL Wide:	10LBS 4.5KGS	26" X 26" X 14" 66cm X 66cm X 36cm
Chandelier canopy 26":	30LBS 13.6KGS	32" X 32" X 6" 81cm X 81cm X 15cm
Chandelier canopy 17":	15LBS 6.8KGS	22" X 22" X 6" 56cm X 56cm X 15cm

NOTES

Custom requests can be considered on volume orders

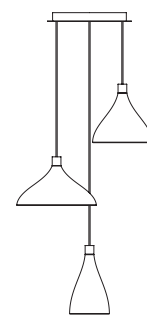


AVAILABLE EU FINISHES

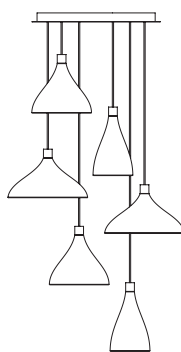


DIMENSIONS

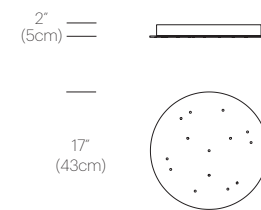
CHANDELIER MIX 1



CHANDELIER MIX 2

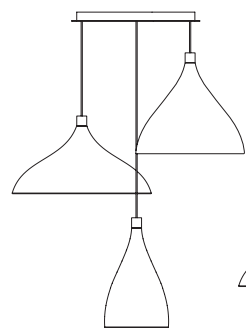


CHANDELIER CANOPY 17"

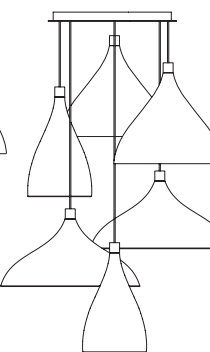


*FOR USE WITH CHANDELIER 3

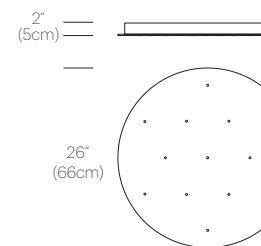
XL CHANDELIER MIX 1



XL CHANDELIER MIX 2



CHANDELIER CANOPY 26"



TALIA

Talia's refined and compact design embraces only the essential elements to fulfill its purpose. Smart and powerful, Talia is designed for maximum light control, pairing fully dimmable and glare-free flat panel technology with 360° post rotation and 180° shade rotation to satisfy both task and ambient lighting needs alike. Talia Table also features wireless induction charging to accommodate mobile devices + USB port for added convenience. Available in both Table and Floor standing models, Talia is offered in 6 elegant colorway and metallic accent combinations to provide a refined touch to any setting and decor.

Designer:
Pablo Pardo + Carmine Deganello + Pablo Studio 2020

Awards:
2021 European Product Design Award



TALIA TABLE

DESCRIPTION

Talia's refined and compact design embraces only the essential elements to fulfill its purpose. Smart and powerful, Talia is designed for maximum light control, pairing fully dimmable and glare-free flat panel technology with 360° post rotation and 180° shade rotation to satisfy both task and ambient lighting needs alike. Talia Table also features wireless induction charging to accommodate mobile devices + USB port for added convenience. Available in both Table and Floor standing models, Talia is offered in 6 elegant colorway and metallic accent combinations to provide a refined touch to any setting and decor.

FIXTURE TYPE

Table

LIGHT SOURCE

Flat Panel LED

LIGHT CONTROL

Optical switch
Full range dimming (100-10%)
2-stage dimming (100/40%)

FEATURES

Wireless charging w/ indicator light
USB charging port
360° post rotation
180° shade rotation
ADA compliant
6 hour auto off

SPECIFICATIONS

Voltage: 120/240V 50-60Hz
Power Consumption: 5.1W MAX
Color temperature: 3000K
Luminosity: 350 Lumens
Luminaire efficacy: 51 Lumens/Watt
Color Rendition Index: 90 CRI
Cable length: 6'(183cm)
Power supply: 24W

CERTIFICATIONS



PRODUCT CODES

Talia Table (Black):	TALI TBL BLK
Talia Table (White):	TALI TBL WHT

PACKAGING WEIGHT AND DIMENSIONS

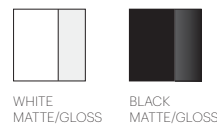
Talia Table:	3.2LBS	18" X 8.1" X 2.2"
	1.5KGS	46cm X 20.5cm X 6cm

NOTES

Custom requests can be considered on volume orders

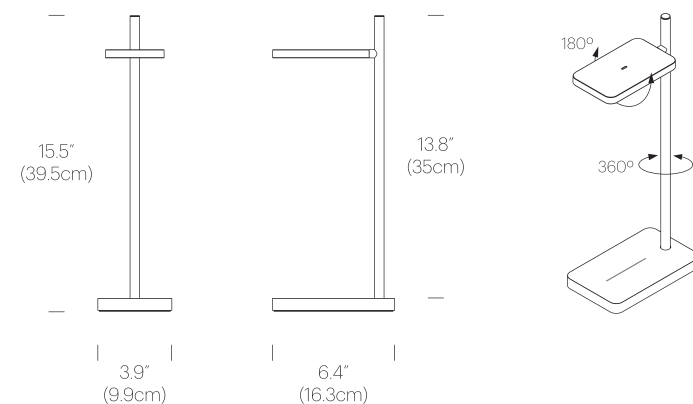


AVAILABLE EU FINISHES



DIMENSIONS

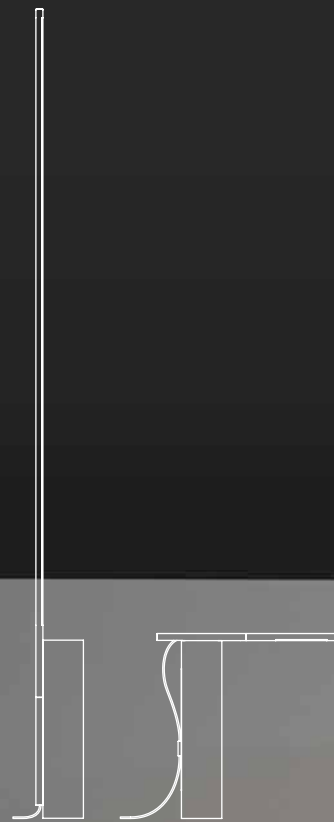
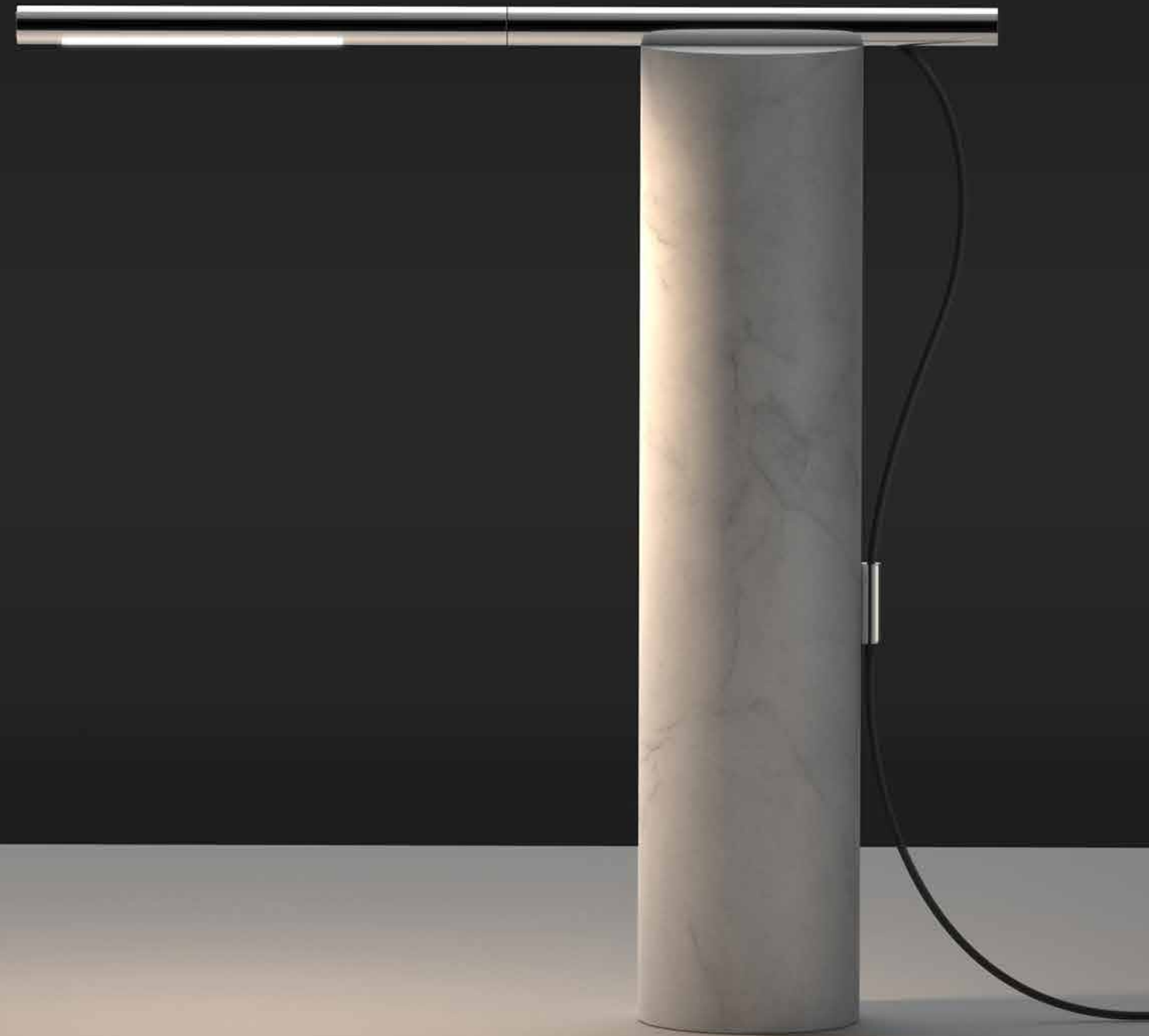
TALIA TABLE



T.O

T.O celebrates and reinforces the importance of light as a pillar of our daily life. A monolithic column stands to support a horizontal and vertical line of light to provide precise light control in all directions. T.O embodies a harmonious dialogue between solidity and lightness offering unlimited contexts for use in residential and workplace environments, all within a minimal footprint. T.O features a fully dimmable LED light source with tactile push switch appropriately positioned at the end of arm. Both table and floor versions feature a magnetically attached light arm over a marble cylinder base while the light wand can be rotated up to 360 degrees to provide both direct and indirect light for task and ambient lighting needs alike. T.O is offered in 2 marble base finishes in Marquina black and Carrara white while the light arm is elegantly contrasted in polished surfaces in brass and chrome. T.O is a seamless integration of functional lighting and sculpture.

Designer:
Carmine Deganello + Pablo Studio 2021



T.O FLOOR

DESCRIPTION

T.O celebrates and reinforces the importance of light as a pillar of our daily life. A monolithic column stands to support a vertical line of light to provide precise light control. T.O embodies a harmonious dialogue between solidity and lightness offering unlimited contexts for use in residential and workplace environments, all within a minimal footprint. T.O features a fully dimmable LED light source with tactile push switch appropriately positioned at the end of arm. Both table and floor versions feature a magnetically attached light arm over a marble cylinder base while the light wand can be rotated up to 360 degrees to provide both direct and indirect light for task and ambient lighting needs alike. T.O is offered in 2 matte base finishes in Marquina black and Carrara white while the light arm is elegantly contrasted in polished surfaces in brass and chrome. T.O is a seamless integration of functional lighting and sculpture.

FIXTURE TYPE

Floor

LIGHT SOURCE

High output LED array

LIGHT CONTROL

Mechanical push button

Full range dimming (100-10%)

2-stage dimming (100/40%)

FEATURES

360° arm rotation

Advanced LED array eliminates multiple shadows

SPECIFICATIONS

Voltage: 120-240V 50/60Hz

Power Consumption: 10W

Color Temperature: 3000K

Luminosity: 750 Lumens

Luminaire efficacy: 75 Lumens/Watt

Color Rendition Index: 90 CRI

Cable Length: 6' (1.8m)

CERTIFICATIONS



PRODUCT CODES

T.O Floor (Black/Brass):	TO FLR BLK/BRA
T.O Floor (White/Brass):	TO FLR WHT/BRA

PACKAGING WEIGHT AND DIMENSIONS

T.O Floor:	9.5LBS	6.25" X 6.25" X 16"
(Base)	2.3KGS	16cm X 16cm X 40cm
T.O Floor:	9.5LBS	6.25" X 6.25" X 16"
(Lamp Arm)	2.3KGS	16cm X 16cm X 40cm

NOTES

Custom requests can be considered on volume orders



AVAILABLE EU FINISHES

BASE



MARQUINA BLACK



CARRARA WHITE

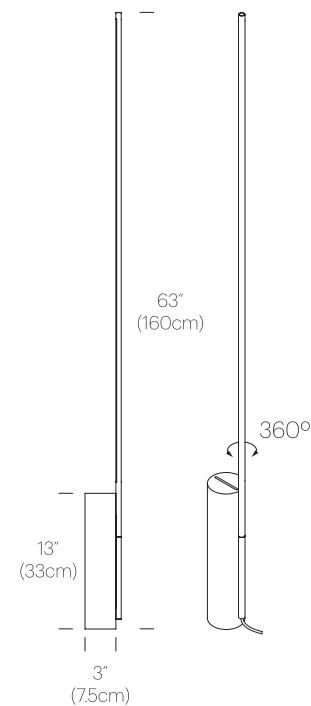
ARM



BRASS

DIMENSIONS

T.O FLOOR



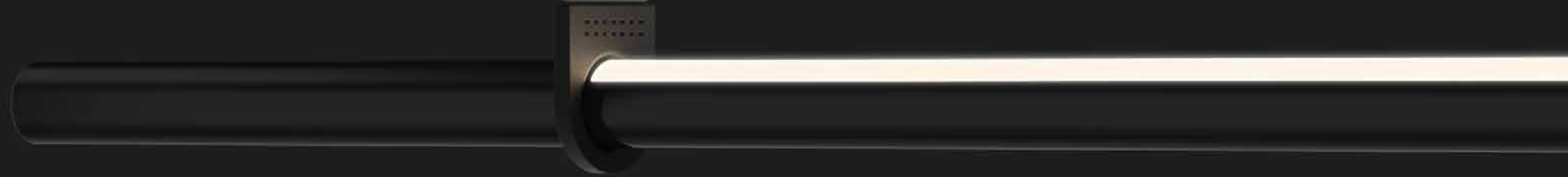
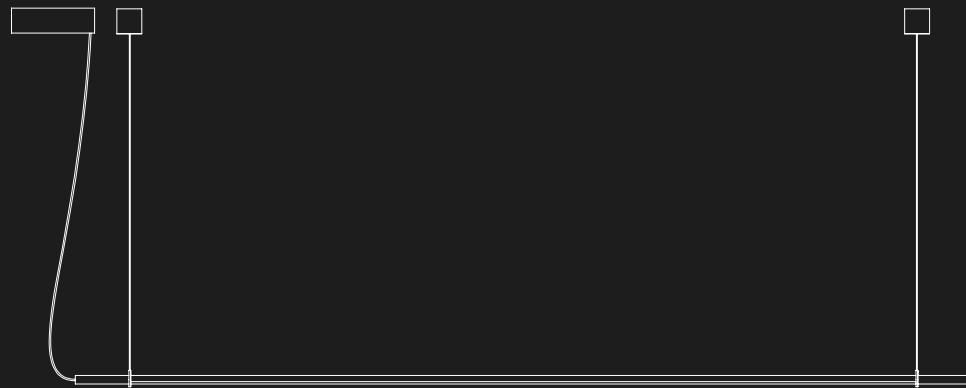


Minimalista

T.O PENDANT

T.O Pendant celebrates the importance of light as a pillar of daily life. T.O features an elegant wand of light suspended by two decorative woven nylon belts finished with over-molded features that allow for full 360-degree rotation to direct light in all directions. T.O Pendant can transform from a direct task-oriented light to indirect ambience with minimal effort. It's suspension system allows for ultimate freedom and creativity to suspend in a wide variety of configurations from a linear series, to multi-axis and multi-level groupings to create stunning displays for residential and workplace environments alike. T.O Pendant's is offered in polished chrome, matte black, and matte grey finishes paired with suspension belts in burnt orange, graphite, and light grey and can be mixed and matched to any desire.

Designer:
Carmine Deganello + Pablo Studio 2022



T.O PENDANT

DESCRIPTION

T.O Pendant celebrates the importance of light as a pillar of daily life. T.O features an elegant wand of light suspended by two decorative woven nylon belts finished with over-molded features that allow for full 360-degree rotation to direct light in all directions. T.O Pendant can transform from a direct task-oriented light to indirect ambience with minimal effort. It's suspension system allows for ultimate freedom and creativity to suspend in a wide variety of configurations from a linear series, to multi-axis and multi-level groupings to create stunning displays for residential and workplace environments alike. T.O Pendant's is offered in polished chrome, matte black, and matte grey finishes paired with colorful suspension belts in burnt orange, graphite, and light grey and can be mixed and matched to any desire.

FIXTURE TYPE

Pendant

LIGHT SOURCE

High output LED array

LIGHT CONTROL

Mechanical push button

Full range dimming (100-10%)

2-stage dimming (100/40%)

FEATURES

360° arm rotation

Advanced LED array eliminates multiple shadows

SPECIFICATIONS

Voltage: 120-277V 50/60Hz

Power Consumption: 10W

Color Temperature: 2700K

Beam Angle : 110°

Luminosity: 750 Lumens

Luminaire efficacy: 75 Lumens/Watt

Color Rendition Index: 90 CRI

Cable Length: 10' (3m)

Belt Length: 10' (3m)

CERTIFICATIONS



PRODUCT CODES

T.O Pendant (Black/Graphite):	TO PND BLK GPT
T.O Pendant (Black/Light Grey):	TO PND BLK GRY
T.O Pendant (Black/Burnt Orange):	TO PND BLK ORG

PACKAGING WEIGHT AND DIMENSIONS

T.O Pendant:	2.5LBS	3" X 6" X 57"
(Lamp)	1.1KGS	7.6cm X 15cm X 145cm
T.O Pendant:	1.5LBS	10" X 8.25" X 4.3"
(Accessories)	.7KGS	25.5cm X 21cm X 11cm

NOTES

Custom requests can be considered on volume orders



AVAILABLE EU FINISHES

SUSPENSION BELT



BURNT ORANGE



GRAPHITE



LIGHT GREY

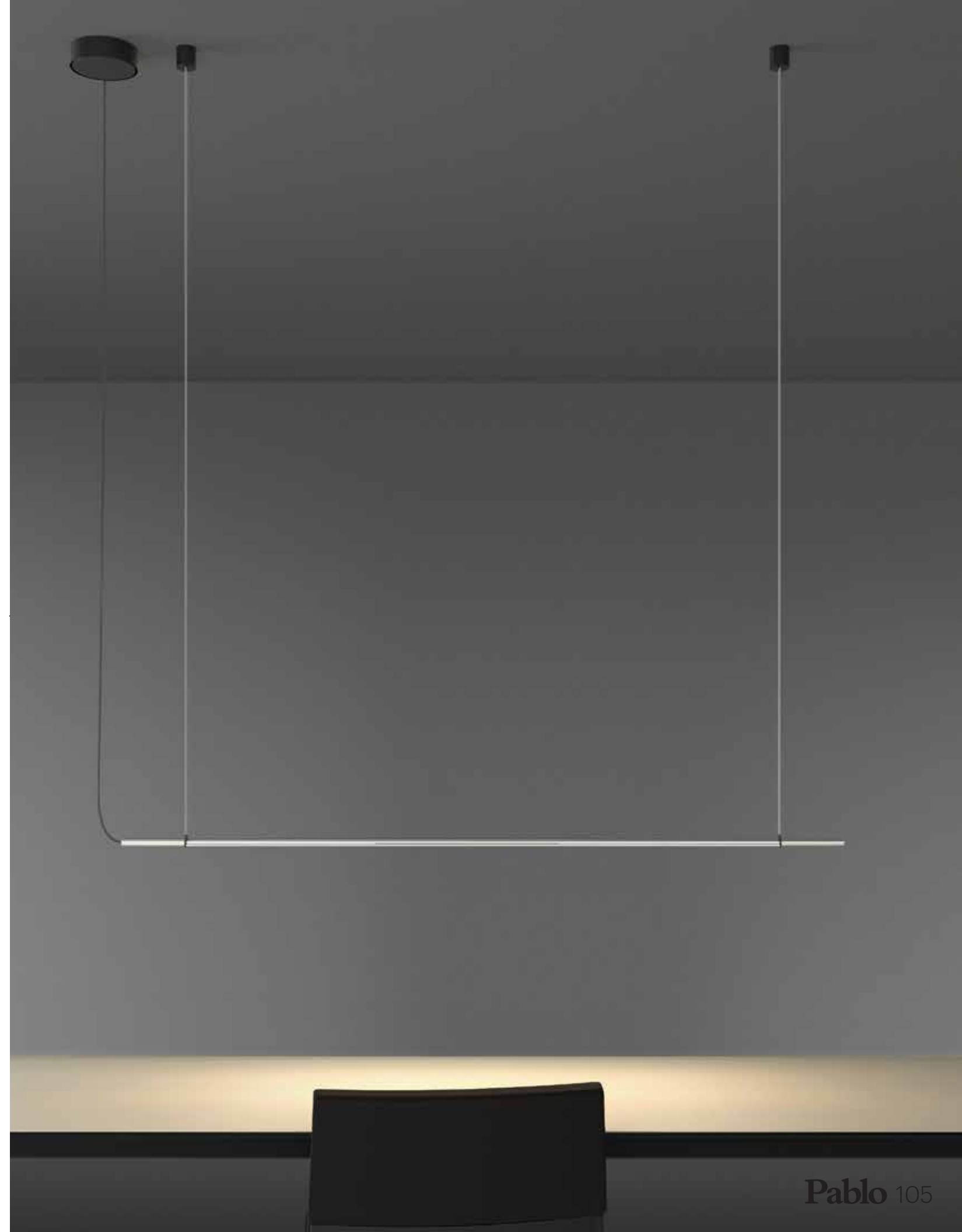
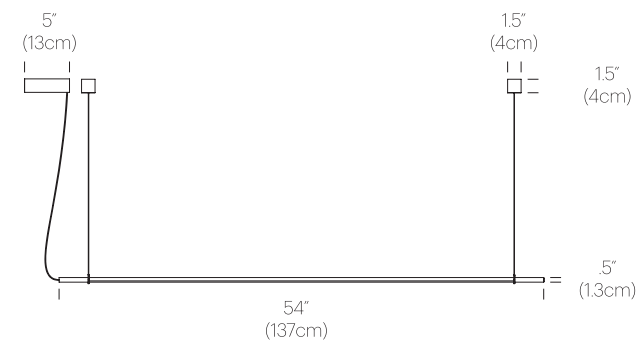
LAMP



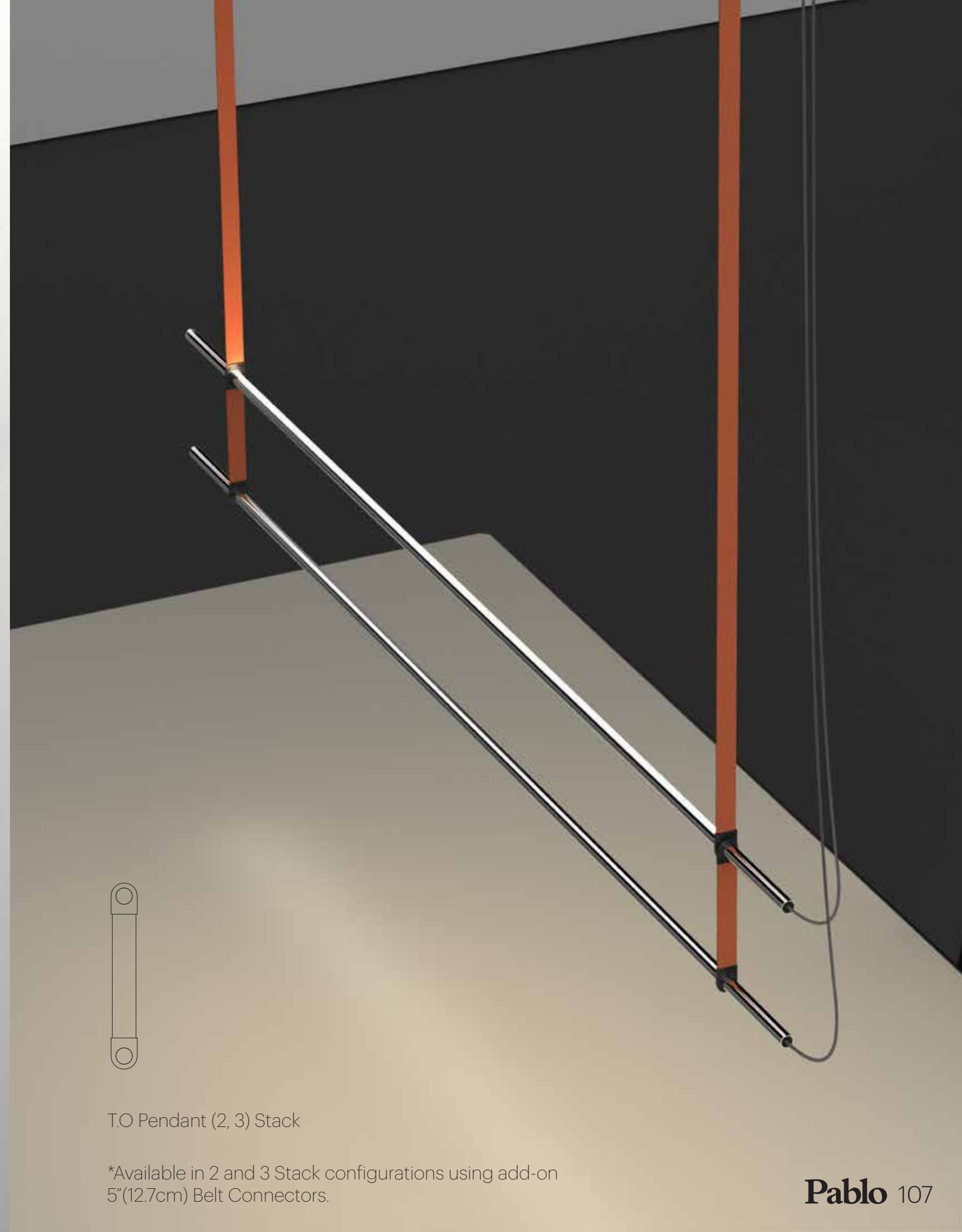
MATTE BLACK

DIMENSIONS

T.O PENDANT



Universal Canopy with Belt Mount



T.O Pendant (2, 3) Stack

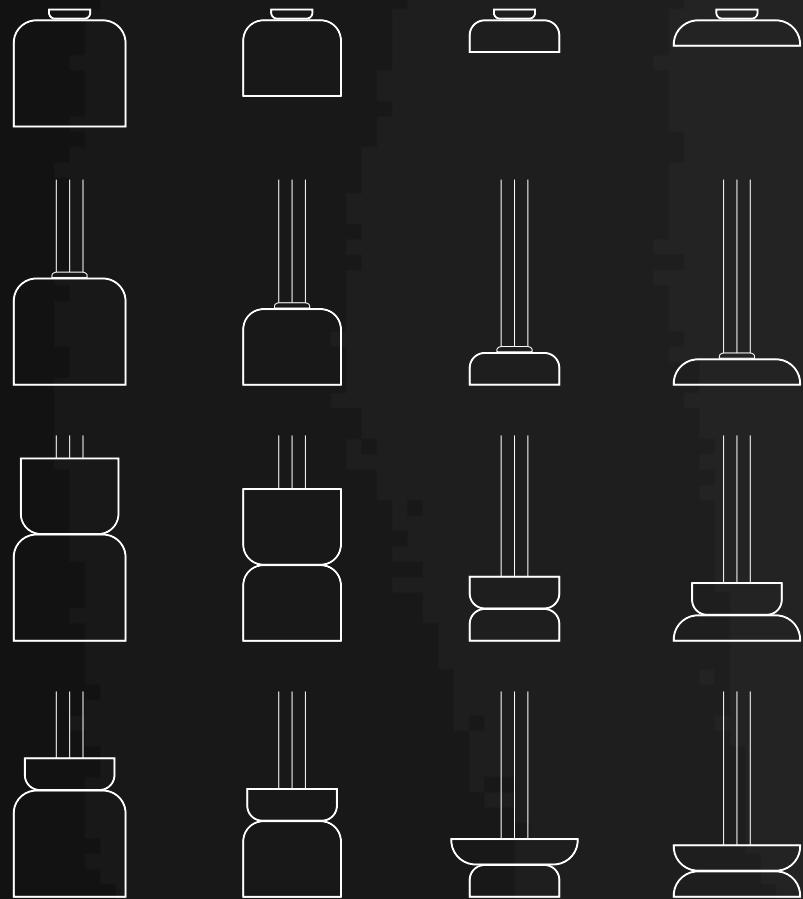
*Available in 2 and 3 Stack configurations using add-on 5"(12.7cm) Belt Connectors.



TOTEM

Totem is a versatile pendant lighting collection comprised of exquisitely blown opal glass shades designed around a modular platform. Totem's soft, pure white geometric forms provide a charming interplay of unique combinations to provide warmth and elegance to any space. Users can select from 4 shade styles (A,B,C,D) to mix and match to create an ensemble of 20 unique pendant combinations. Totem provides both direct and indirect illumination by employing a two-part LED light engine that provides both uplight and downlight resulting in a warm and dimmable ambient glow projecting through its softly diffused glass structure. Totem singles can be used in flush mount down-light only scenarios as well.

Designer:
Pablo Pardo + Pablo Studio 2022





TOTEM UP/DOWN LIGHT

DESCRIPTION

Totem is a versatile pendant lighting collection comprised of exquisitely blown opal glass shades designed around a modular platform. Totem's soft, pure white geometric forms provide a charming interplay of unique combinations to provide warmth and elegance to any space. Users can select from 4 shade styles (A,B,C,D) to mix and match to create an ensemble of 20 unique pendant combinations. Totem provides both direct and indirect illumination by employing a two-part LED light engine that provides both uplight and downlight resulting in a warm and dimmable ambient glow projecting through its softly diffused glass structure. Totem singles can be used in flush mount downlight only scenarios as well.

FIXTURE TYPE

Pendant

LIGHT SOURCE

High output LED array

LIGHT CONTROL

Fully dimmable

Compatible with TRIAC/ELV

(0-10V dimming available upon request)

Dali compatibility upon request

FEATURES

20 Unique Pendant Combinations

Uplight/Downlight

SPECIFICATIONS

Voltage: 120 or 240V 50/60Hz (120-277V 0-10V driver available by request)

Power Consumption: 18W

Color Temperature: 2700-2200K DTW (Dim-to-Warm)

Luminosity: 1800 Lumens Total (1400down/400up)

Luminaire efficacy: 100 Lumens/Watt

Color Rendition Index: 90 CRI

Cable Length: 10' (3m)

CERTIFICATIONS



PRODUCT CODES (ENTER SHADE COMBINATION IN BLANK SPACE)

Totem Up/Down TOTE UPDWN

PACKAGING WEIGHT AND DIMENSIONS

Totem A:	8LBS	20" X 20" X 20"
(Shade)	3.6KGS	50cm X 50cm X 50cm
Totem B:	6.5LBS	17" X 17" X 15"
(Shade)	3KGS	43cm X 43cm X 38cm
Totem C:	4LBS	16.5" X 16.5" X 10"
(Shade)	1.8KGS	42cm X 42cm X 25cm
Totem D:	3.3LBS	22" X 22" X 9"
(Shade)	1.5KGS	56cm X 56cm X 23cm

NOTES

Custom requests can be considered on volume orders

114 **Pablo**

AVAILABLE GLOBALLY



FINISHES

CANOPY



WHITE

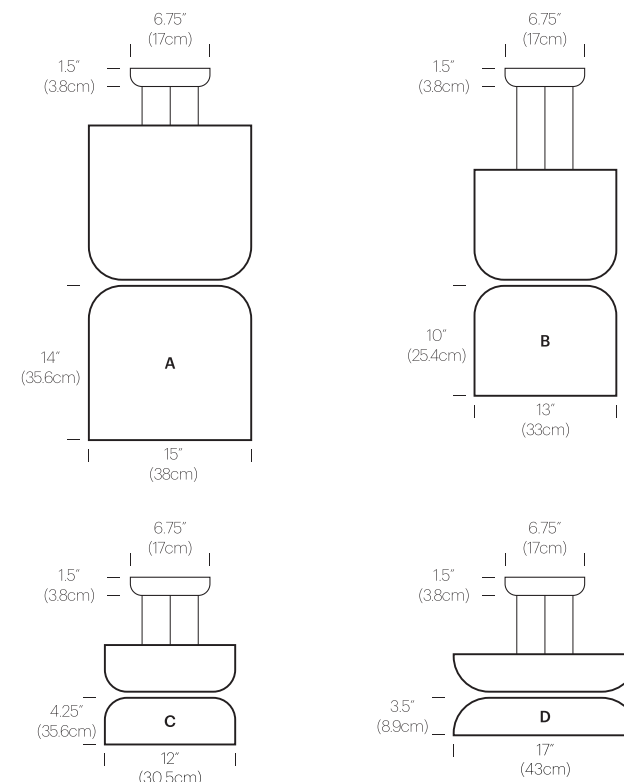
SHADE



OPAL GLASS

DIMENSIONS

TOTEM UP/DOWN



TOTEM DOWN LIGHT

DESCRIPTION

Totem is a versatile pendant lighting collection comprised of exquisitely blown opal glass shades designed around a modular platform. Totem's soft, pure white geometric forms provide a charming interplay of unique combinations to provide warmth and elegance to any space. Downlight pendants utilize one of the 4 shade styles (A,B,C,D) and provide direct illumination resulting in a warm and dimmable ambient glow projecting through its softly diffused glass structure. Totem singles can be used in flush mount down-light only scenarios as well.

FIXTURE TYPE

Pendant

LIGHT SOURCE

High output LED array

LIGHT CONTROL

Fully dimmable

Compatible with TRIAC/ELV

(0-10V dimming available upon request)

Dali compatibility upon request

FEATURES

4 Unique Downlight Profiles

SPECIFICATIONS

Voltage: 120 or 240V 50/60Hz (120-277V 0-10V driver available by request)

Power Consumption: 13W

Color Temperature: 2700-2200K DTW (Dim-to-Warm)

Luminosity: 1400 Lumens

Luminaire efficacy: 108 Lumens/Watt

Color Rendition Index: 90 CRI

Cable Length: 10' (3m)

CERTIFICATIONS



PRODUCT CODES

Totem Down (A)	TOTE DWN A
Totem Down (B)	TOTE DWN B
Totem Down (C)	TOTE DWN C
Totem Down (D)	TOTE DWN D

PACKAGING WEIGHT AND DIMENSIONS

Totem A:	8LBS	20" X 20" X 20"
(Shade)	3.6KGS	50cm X 50cm X 50cm
Totem B:	6.5LBS	17" X 17" X 15"
(Shade)	3KGS	43cm X 43cm X 38cm
Totem C:	4LBS	16.5" X 16.5" X 10"
(Shade)	1.8KGS	42cm X 42cm X 25cm
Totem D:	3.3LBS	22" X 22" X 9"
(Shade)	1.5KGS	56cm X 56cm X 23cm

NOTES

Custom requests can be considered on volume orders



FINISHES

CANOPY



WHITE

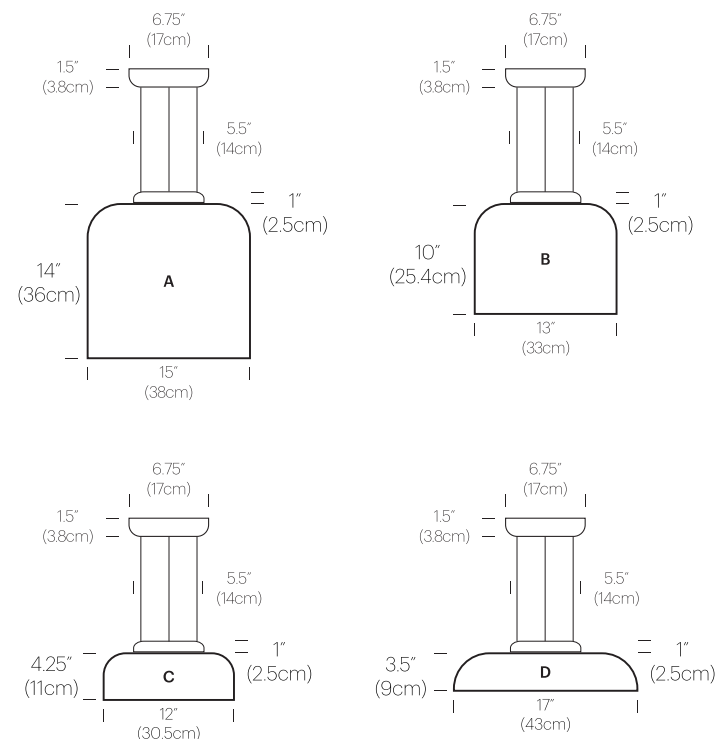
SHADE



OPAL GLASS

DIMENSIONS

TOTEM DOWN



TOTEM FLUSH

DESCRIPTION

Totem is a versatile pendant lighting collection comprised of exquisitely blown opal glass shades designed around a modular platform. Totem's soft, pure white geometric forms provide a charming interplay of unique combinations to provide warmth and elegance to any space. Totem Flush utilize one of the 4 shade styles (A,B,C,D) and provide direct illumination resulting in a warm and dimmable ambient glow projecting through its softly diffused glass structure. Totem singles can be used in down light pendant scenarios as well.

FIXTURE TYPE

Pendant

LIGHT SOURCE

High output LED array

LIGHT CONTROL

Fully dimmable

Compatible with TRIAC/ELV

(0-10V dimming available upon request)

Dali compatibility upon request

FEATURES

4 Unique Flush Profiles

SPECIFICATIONS

Voltage: 120 or 240V 50/60Hz (120-277V 0-10V driver available by request)

Power Consumption: 13W

Color Temperature: 2700-2200K DTW (Dim-to-Warm)

Luminosity: 1400 Lumens

Luminaire efficacy: 108 Lumens/Watt

Color Rendition Index: 90 CRI

CERTIFICATIONS



FINISHES

CANOPY



WHITE

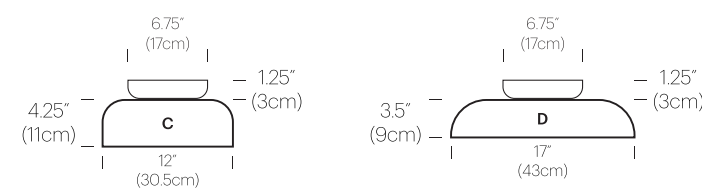
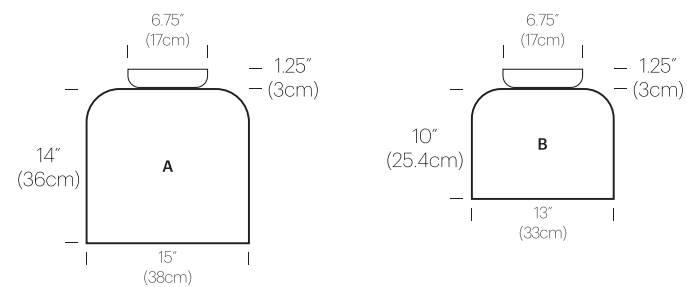
SHADE



OPAL GLASS

DIMENSIONS

TOTEM FLUSH



PRODUCT CODES

Totem Flush (A)	TOTE FSH A
Totem Flush (B)	TOTE FSH B
Totem Flush (C)	TOTE FSH C
Totem Flush (D)	TOTE FSH D

PACKAGING WEIGHT AND DIMENSIONS

Totem A:	8LBS	20" X 20" X 20"
(Shade)	3.6KGS	50cm X 50cm X 50cm
Totem B:	6.5LBS	17" X 17" X 15"
(Shade)	3KGS	43cm X 43cm X 38cm
Totem C:	4LBS	16.5" X 16.5" X 10"
(Shade)	1.8KGS	42cm X 42cm X 25cm
Totem D:	3.3LBS	22" X 22" X 9"
(Shade)	1.5KGS	56cm X 56cm X 23cm

NOTES

Custom requests can be considered on volume orders







TOTEM MINI KIT

DESCRIPTION

Totem Mini Kit is comprised of (8) 1:5 scale shade replicas of the Totem lighting system purposely designed as an interactive visual aid to help create your own custom Totem shade combinations and groupings. These precious and charming glass pieces are made of durable Opal glass and are liquid safe to double-duty as collectible drink vessels. The Totem Collection this kit represents is a versatile lighting system comprised of exquisitely blown opal glass shades designed around a modular platform. Totem's soft, pure white geometric forms provide a charming interplay of unique combinations to provide warmth and elegance to any space. Users can select from 4 shade styles (A,B,C,D) to mix and match to create an ensemble of 20 unique pendant and flush combinations.

FEATURES

- 20 Unique Pendant Combinations
- Magnetic attachment
- Collectable drinking vessels

PRODUCT CODES

Totem Mini Kit	TOTE SALE KIT
----------------	---------------

PACKAGING WEIGHT AND DIMENSIONS

Totem Mini Kit:	1.5LBS	8" X 15" X 4.25"
	.7KGS	20.3cm X 38cm X 10.8cm

FINISHES

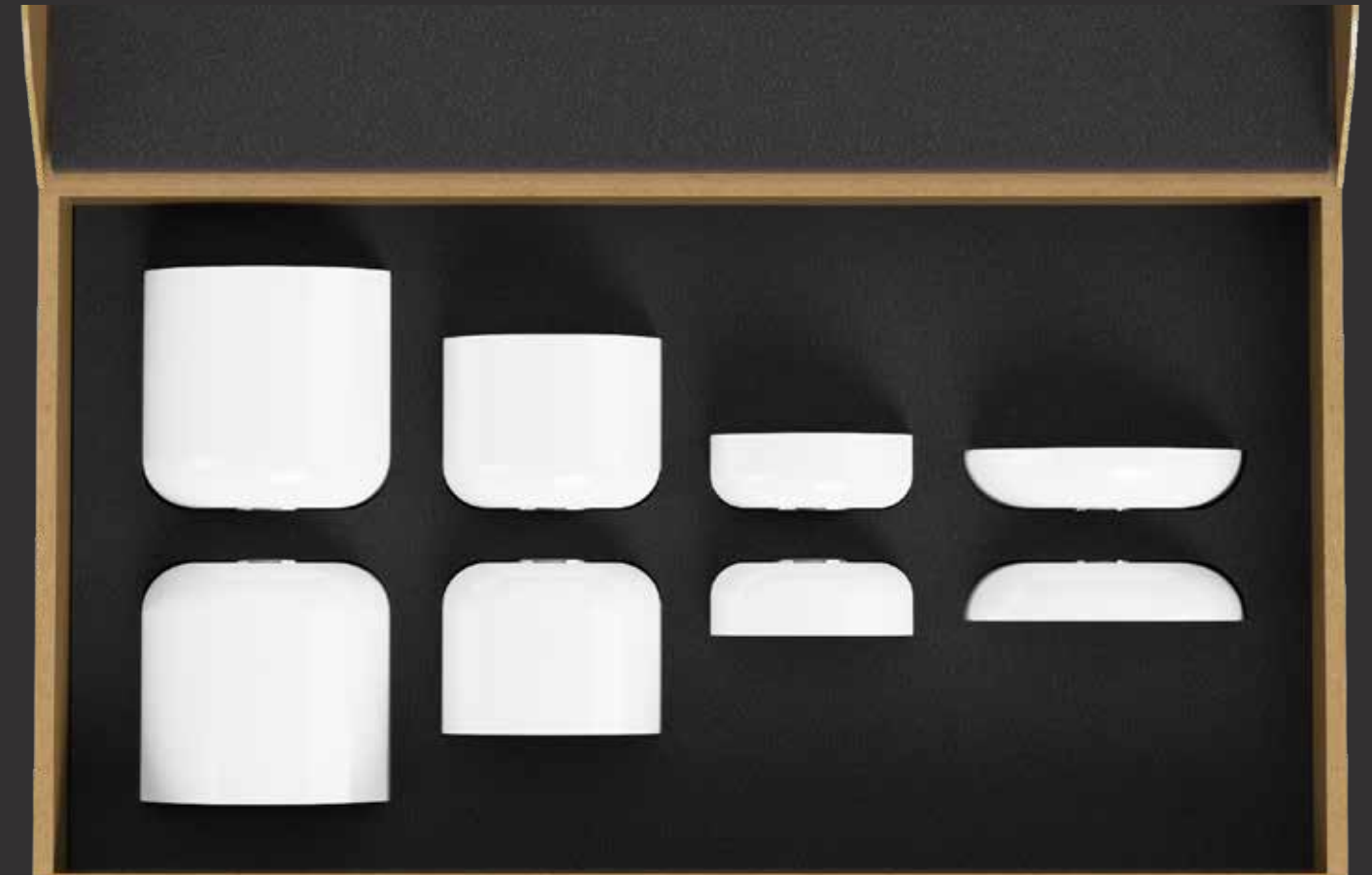
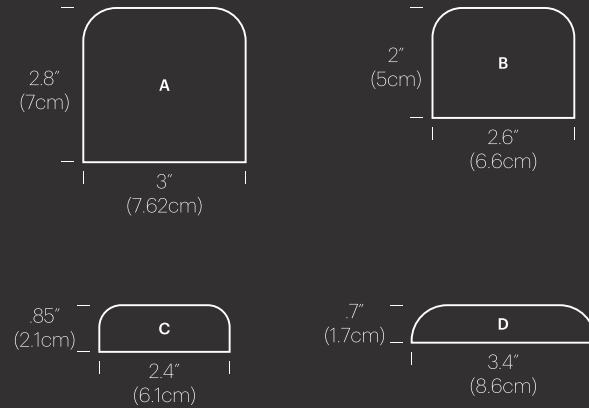
SHADE



OPAL GLASS

DIMENSIONS

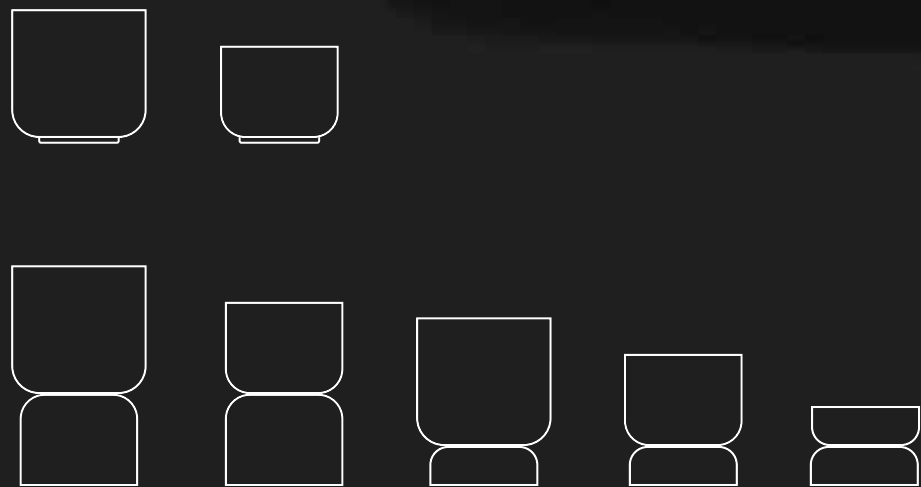
TOTEM MINI KIT



TOTEM TABLE

Totem is a classic and highly versatile LED lighting system comprised of exquisitely blown opal glass shades designed around a modular platform. Totem's soft, pure white geometric forms provide a charming interplay of unique and rhythmic shade groupings to add warmth and elegance to any space. Totem Table combines 3 foundational shade sizes to create up to 7 curated single and dual shade lamp configurations ranging from 8.5" (21.5cm) to 24.5" (62cm) in height. Totem's soft and ambient light source comes standard with fully dimmable 2700K (Dim to Warm) LED technology with fabric sleeved cord set with rotary dimmer.

Designer:
Pablo Pardo + Pablo Studio 2023



TOTEM TABLE

DESCRIPTION

Totem is a classic and highly versatile LED lighting system comprised of exquisitely blown opal glass shades designed around a modular platform. Totem's soft, pure white geometric forms provide a charming interplay of unique and rhythmic shade groupings to add warmth and elegance to any space. Totem Table combines 3 foundational shade sizes to create up to 7 curated single and dual shade lamp configurations ranging from 8.5"(21.5cm) to 24.5"(62cm) in height. Totem's soft and ambient light source comes standard with fully dimmable 2700K (Dim to Warm) LED technology with fabric sleeved cord set with rotary dimmer.

FIXTURE TYPE

Table

LIGHT SOURCE

High output LED array

LIGHT CONTROL

Fully dimmable

FEATURES

In-line Dimmer

SPECIFICATIONS

Voltage : 120-240V 50/60Hz
 Power Consumption : 20W
 Color Temperature : 2700-2200K DTW(Dim to Warm)
 Luminosity : 1400 Lumens (single shade)
 1800 Lumens (double shade)
 Luminaire efficacy : 90 Lumens/Watt
 Color Rendition Index: 90 CRI
 Cable length: 6' (1.8m)

CERTIFICATIONS



PRODUCT CODES

Totem Table (A)	TOTE TBL A
Totem Table (B)	TOTE TBL B
Totem Table (CC)	TOTE TBL CC
Totem Table (CB)	TOTE TBL CB
Totem Table (CA)	TOTE TBL CA
Totem Table (BB)	TOTE TBL BB
Totem Table (BA)	TOTE TBL BA

PACKAGING WEIGHT AND DIMENSIONS

Totem A:	8LBS	20" X 20" X 20"
(Shade)	3.6KGS	50cm X 50cm X 50cm
Totem B:	6.5LBS	17" X 17" X 15"
(Shade)	3KGS	43cm X 43cm X 38cm
Totem C:	4LBS	16.5" X 16.5" X 10"
(Shade)	1.8KGS	42cm X 42cm X 25cm
Totem Lamp:	3.4LBS	9" X 7" X 9"
(Light Source)	1.5KGS	23cm X 18cm X 23cm

NOTES

Custom requests can be considered on volume orders



FINISHES

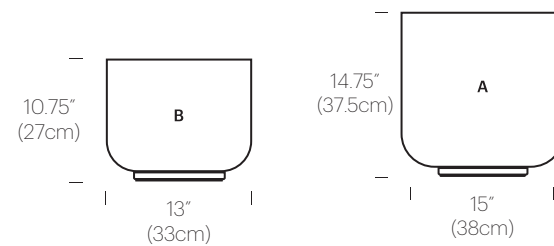
SHADE



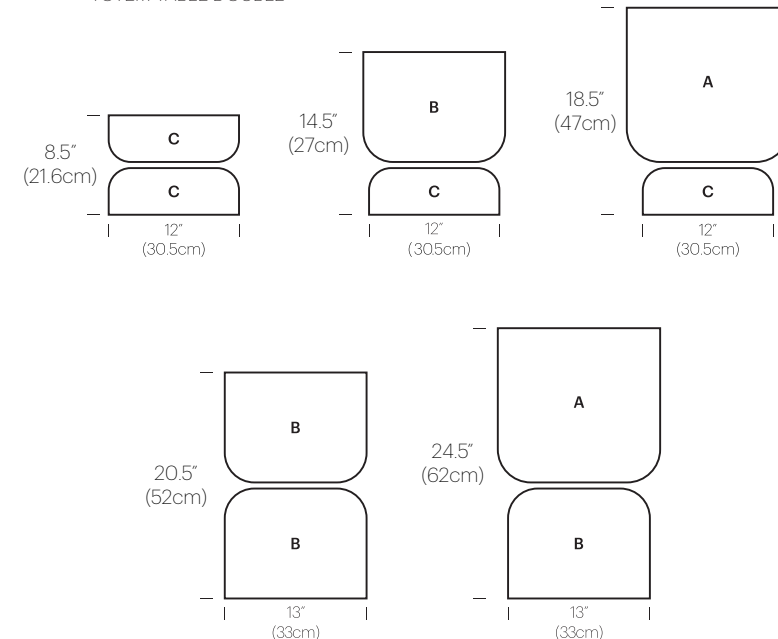
OPAL GLASS

DIMENSIONS

TOTEM TABLE SINGLE



TOTEM TABLE DOUBLE





UMA

The revolutionary UMA Sound Lantern redefines the portable lantern for the modern age. Fusing state-of-the-art Warm Dim LED technology with 360° high fidelity surround sound, UMA provides a one of a kind portable light + sound experience, integrated seamlessly into a strikingly elegant design. UMA pairs touch sensitive volume control with an intuitive full-range light control dial and features Bluetooth connectivity to stream the highest quality audio wirelessly from any mobile device. A premium leather strap allows for easy portability, and a protective jacket allows UMA to go anywhere you want to go. Invoking the primal symbol of the lantern and the warmth of a campfire, UMA is the perfect centerpiece for social gatherings and intimate moments indoor and out.

Designer:
Carmine Deganello, Pablo Pardo + Pablo Studio 2015

Awards:
[2016 AZURE Magazine People's Choice Award](#)
[2016 Good Design Award Australia](#)
[2017 German Design Award](#)
[2017 Best Lighting, House Beautiful Magazine](#)



UMA SOUND LANTERN

DESCRIPTION

The revolutionary UMA Sound Lantern redefines the portable lantern for the modern age. Fusing state-of-the-art Warm Dim LED technology with 360° high fidelity surround sound, UMA provides a one of a kind portable light + sound experience, integrated seamlessly into a strikingly elegant design. Uma pairs touch sensitive volume control with an intuitive full-range light control dial and features Bluetooth connectivity to stream the highest quality audio wirelessly from any mobile device. A premium leather strap allows for easy portability, and a protective jacket allows UMA to go anywhere you want to go. Invoking the primal symbol of the lantern and the warmth of a campfire, UMA is the perfect centerpiece for social gatherings and intimate moments indoor and out.

FIXTURE TYPE

Portable - rechargeable

LIGHT SOURCE

(60x) High-output LED array

LIGHT CONTROL

Warm-dim light control ring

FEATURES

- Portable and rechargeable
- Full range dim control
- Rich 360 degree sound
- Bluetooth connectivity
- Warm dimming technology
- Optional surface mount available
- Damp rated for indoor and outdoor use

SPECIFICATIONS

- Voltage: 120-240V 50-60Hz
- Power consumption: 4.5W (light) 12W MAX (speakers)
- Color temperature: 2000-2700K
- Luminosity: 190 Lumens MAX
- Luminaire efficacy: 42 Lumens/Watt
- Color Rendition Index: 90 CRI
- Lithium ion battery: Up to 8 hours of use
- Charging time: Up to 3.5 hours
- Power cable length: 6' (183cm)
- Global multi-plug adapter available
- Patent number: D773,704

CERTIFICATIONS

TUV, FCC, RoHS



PRODUCT CODES

UMA SILVER/WHITE	UMA AL/TAN
------------------	------------

PACKAGING WEIGHT AND DIMENSIONS

UMA:	3LBS	6" X 6" X 11"
	1.4KGS	16cm X 16cm X 15.4cm

NOTES

Custom requests can be considered on volume orders



FINISHES

BASE AND TOP RING



SILVER

LEATHER STRAP

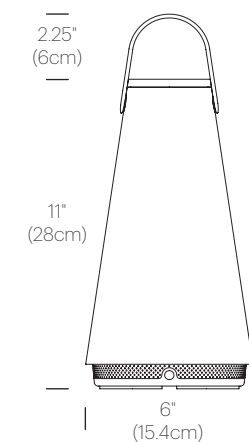


TAN

DIMENSIONS

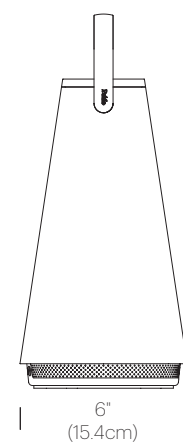
UMA

2.25"
(6cm)



11"
(28cm)

6"
(15.4cm)



6"
(15.4cm)



UMA MINI

The revolutionary UMA Mini Sound Lantern redefines the portable lantern for the modern age. Fusing state-of-the-art Warm Dim LED technology with 360° high fidelity surround sound, UMA provides a one of a kind portable light + sound experience, integrated seamlessly into a strikingly elegant design. UMA Mini pairs touch sensitive volume control with an intuitive full-range light control dial and features Bluetooth connectivity to stream the highest quality audio wirelessly from any mobile device. Invoking the primal symbol of the lantern and the warmth of a campfire, UMA is the perfect centerpiece for social gatherings and intimate moments indoor and out.

Designer:
Carmine Deganello, Pablo Pardo + Pablo Studio 2019

Awards:
2016 AZURE Magazine People's Choice Award
2016 Good Design Award Australia
2017 German Design Award



UMA MINI

DESCRIPTION

Introducing UMA Mini, the newest addition to the UMA family, now more portable than ever to travel with you anywhere you go. The revolutionary UMA Mini lantern takes all its cues from its big sister UMA, fusing state-of-the-art LED technology with 360° high fidelity surround sound, while boasting a party mode feature that allows for pairing up to 24 units simultaneously via Bluetooth to create the perfect ambiance. UMA Mini also features touch sensitive volume control and 2 soft light level setting to set the perfect mood. Invoking the primal symbol of the lantern and the warmth of a campfire, UMA Mini is the perfect centerpiece for social gatherings at home, restaurant lounges, and any outdoor setting.

FIXTURE TYPE

Portable - rechargeable

LIGHT SOURCE

LED high-output chip on board

LIGHT CONTROL

Dimmable
2-stage dim control

FEATURES

Portable + rechargeable
2 stage dim control
Rich 360° sound
Bluetooth connectivity
Party Mode up to 24 units
20 hour battery life (light only)
15 hour battery life (light & music)
USB-C Rapid charging

SPECIFICATIONS

Power Consumption: 4W (light) 8W MAX (speakers)
Color temperature: 2000K
Luminosity: 100 Lumens MAX
Color Rendition Index: 90 CRI
Battery life: Up to 20 hours
3 hr charge time (using 10W power plug, not included)
Power cable length: 6' (183cm)
IP54 damp rated
Patent pending

CERTIFICATIONS



PRODUCT CODES

Uma Mini	UMA MINI
----------	----------

PACKAGING WEIGHT AND DIMENSIONS

UMA MINI:	2.5LBS	5.6" X 5.6" X 10"
	1KGS	14cm X 14cm X 25.5cm

NOTES

Custom requests can be considered on volume orders

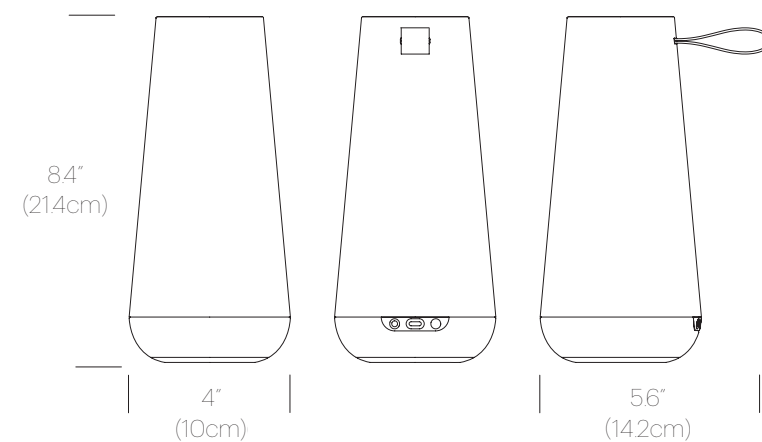


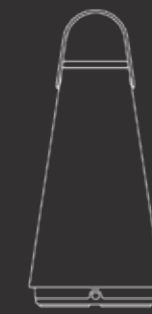
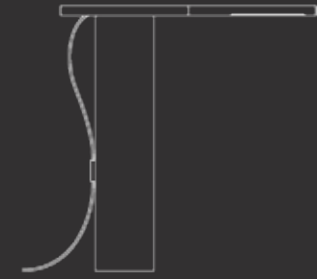
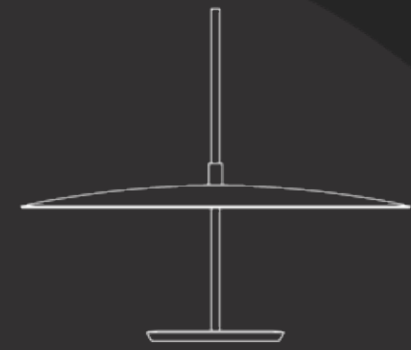
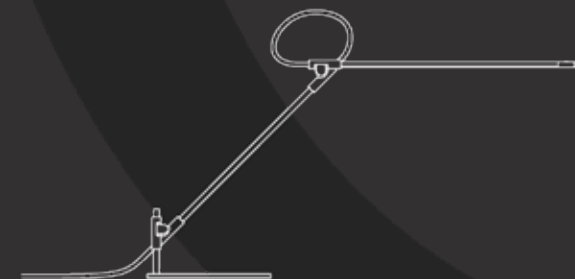
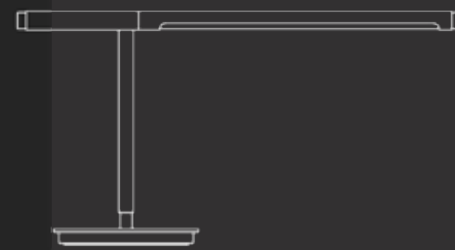
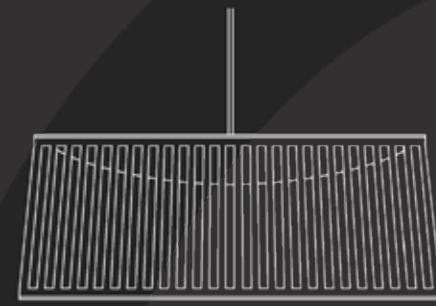
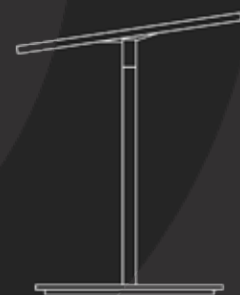
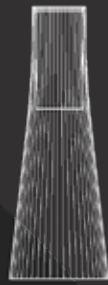
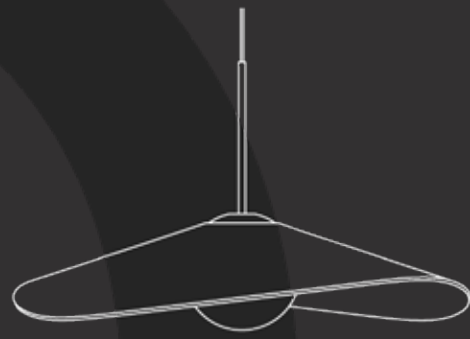
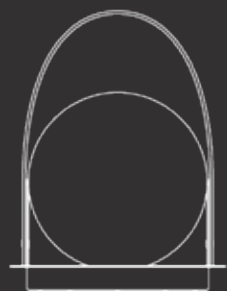
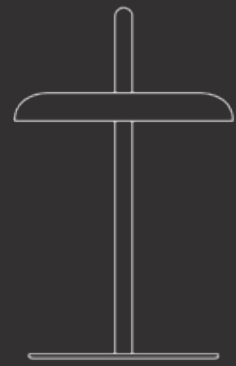
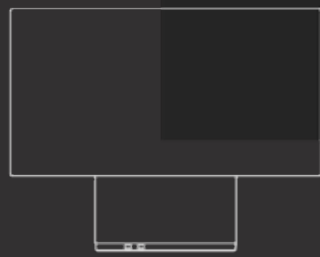
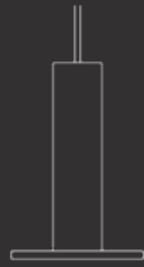
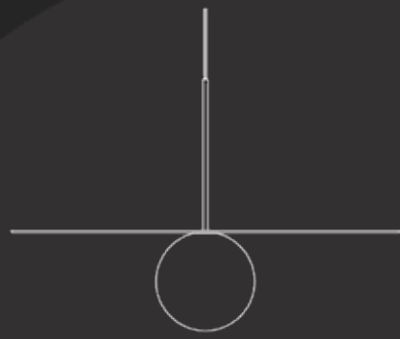
FINISHES



DIMENSIONS

UMA MINI





CELEBRATING
30 YEARS OF
ILLUMINATION
Pablo

GLOBAL AVAILABILITY

Belmont Floor
Belmont Pendant
Belmont Table

Bola Disc Flush
Bola Disc Pendant

Bola Felt Pendant

Bola Halo Pendant

Bola Lantern

Bola Sphere Pendant

Bola Sphere Table

Brazo Floor
Brazo Table

Cielo Plus
Cielo XL

Candél

Carousel Floor
Carousel Table

Circa Floor
Circa Flush
Circa Pendant
Circa Table

Contour Floor
Contour Table

Lim 360

Link Table Medium

Luci Floor
Luci Table

Nivél Floor
Nivél Pedestal SM
Nivél Pedestal LG
Nivél Table

Nivél Flush
Nivél Pendant

Pixo Plus
Pixo Wall

Sky Solo Pendant
Sky Dome Metal Pendant
Sky Dome Wood Pedant

Sky Dome Metal Flush
Sky Dome Wood Flush

Solis 24 Pendant
Solis 48 Pendant
Solis 72 Pendant

Solis Drum 24 Pendant
Solis Drum 36 Pendant

Solis Drum Flush 24
Solis Drum Flush 36

Superlight Floor
Superlight Table

Stella

Swell Single
Swell String Single
Swell String Mix

Swell XL Single
Swell XL String Single
Swell XL String Mix

Talia Floor
Talia Table

T.O Floor
T.O Table

T.O Pendant

Totem Flush
Totem Pendant
Totem Wall

Uma
Uma Mini